

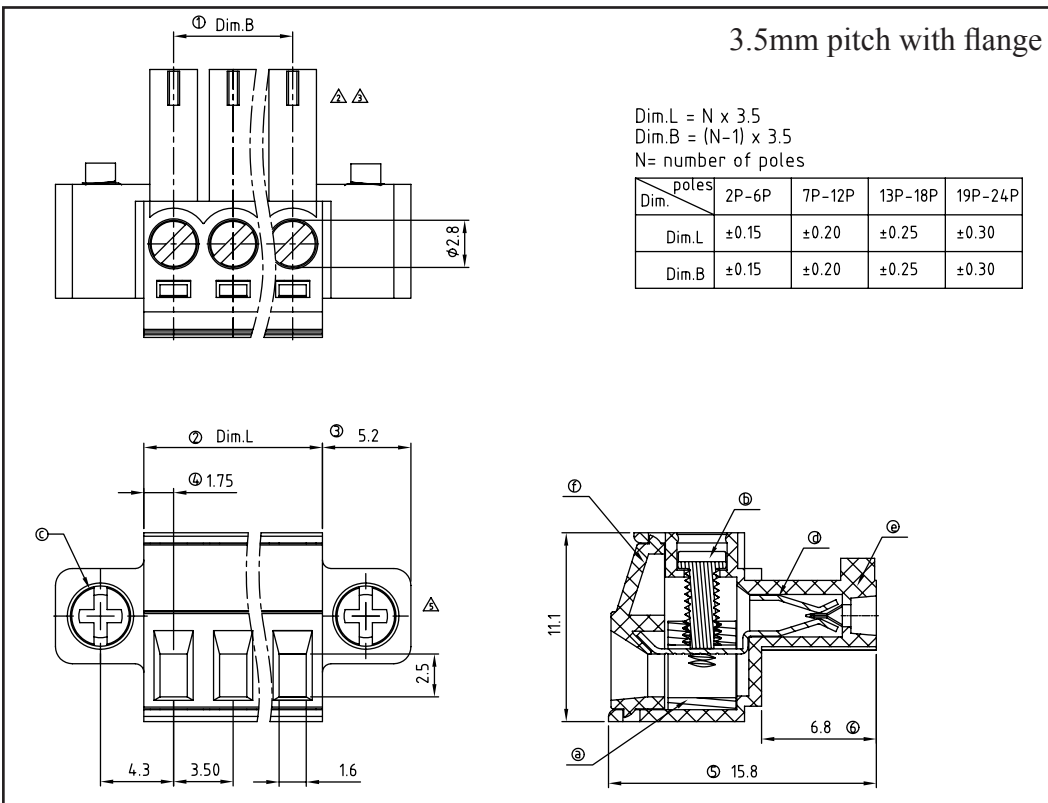
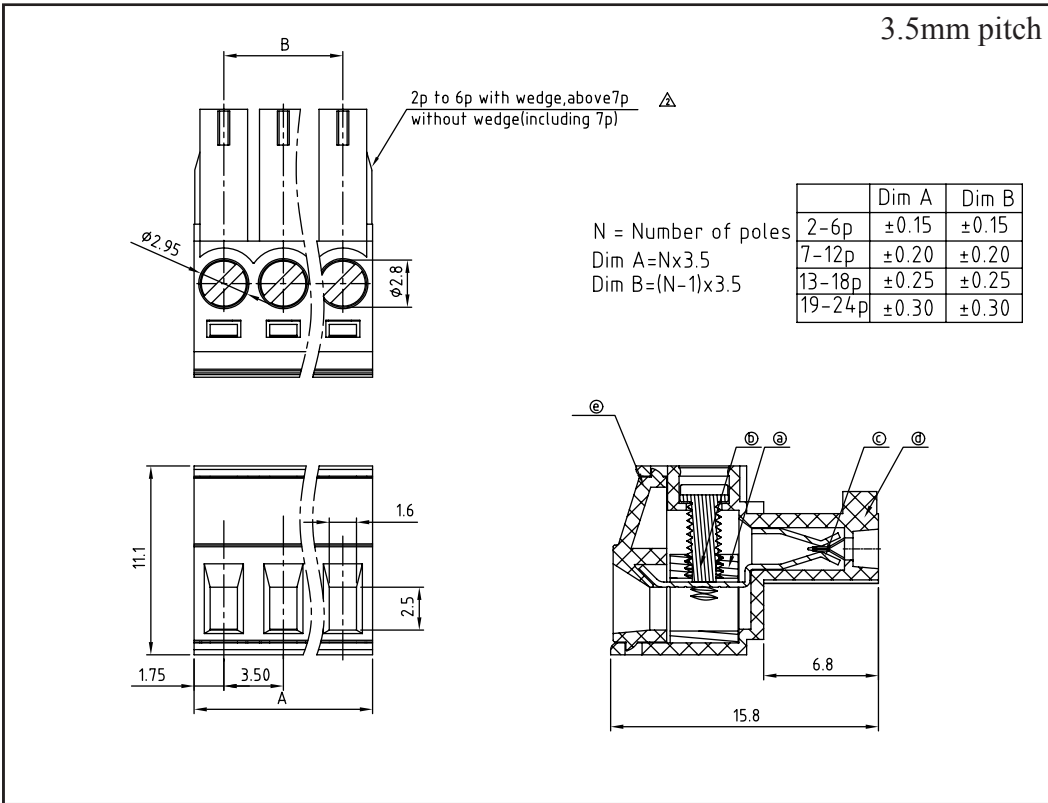


TECHNICAL INFORMATION

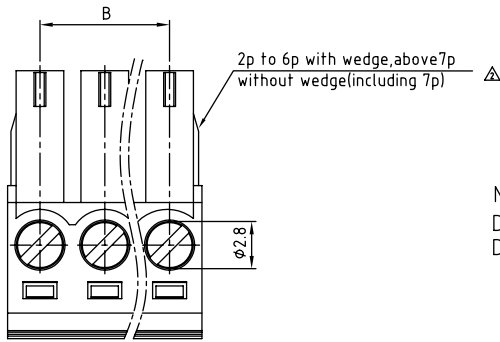
HRFE Series			
Pitch Available (mm)	3.5/ 3.81	5.00/ 5.08	7.5/ 7.62
Poles Available	2 - 24		2 - 16
Electrical	cULus		
Voltage Rating	300V		
Withstanding Voltage	1.6KV		
Current Rating	10A	20A	
Wire Strip Length	6~7mm	7~8mm	
Wire Range	1.5mm ²	2.5mm ²	
Solid Wire (AWG)	16 - 28	12 - 24	
Stranded Wire (AWG)	16 - 28	12 - 24	
Housing	Thermoplastic (UL94V-0)		
Operating Temperature	-40°C + 115 °C		

Tightening Torque	3.81 torque- Min: 0.26 Nm – Max: 0.34 Nm	5.08 torque-Min: 0.50 Nm – Max: 0.56 Nm
-------------------	--	---

DRAWINGS

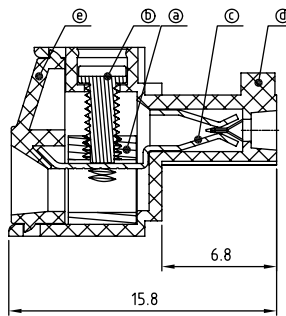
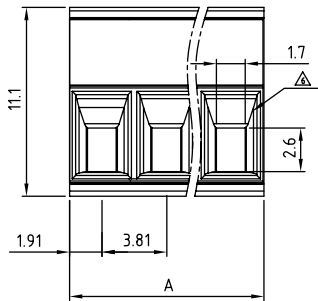


3.81mm pitch

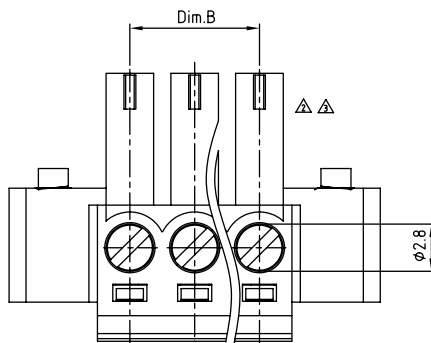


N = Number of poles
Dim A = N x 3.81
Dim B = (N-1) x 3.81

	△	
	Dim A	Dim B
2-6p	±0.15	±0.15
7-12p	±0.20	±0.20
13-18p	±0.25	±0.25
19-24p	±0.30	±0.30

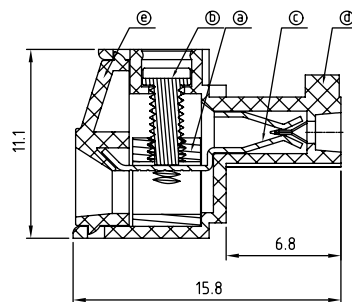
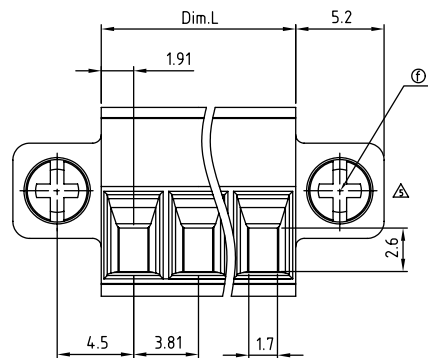


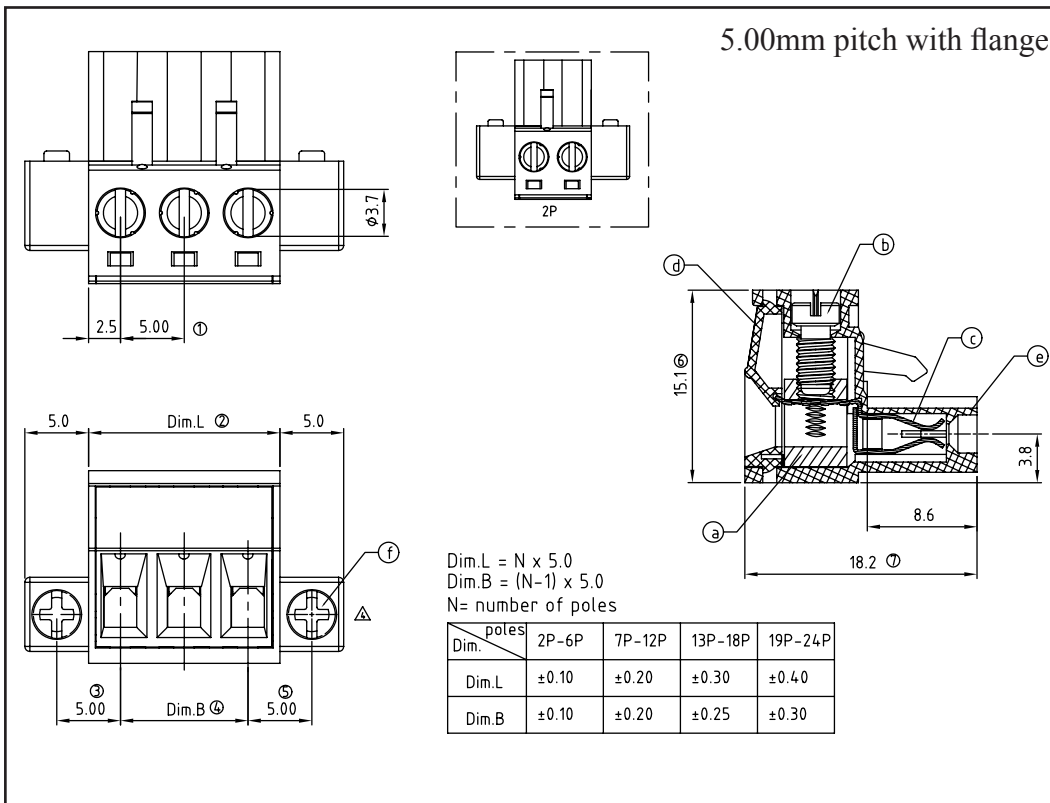
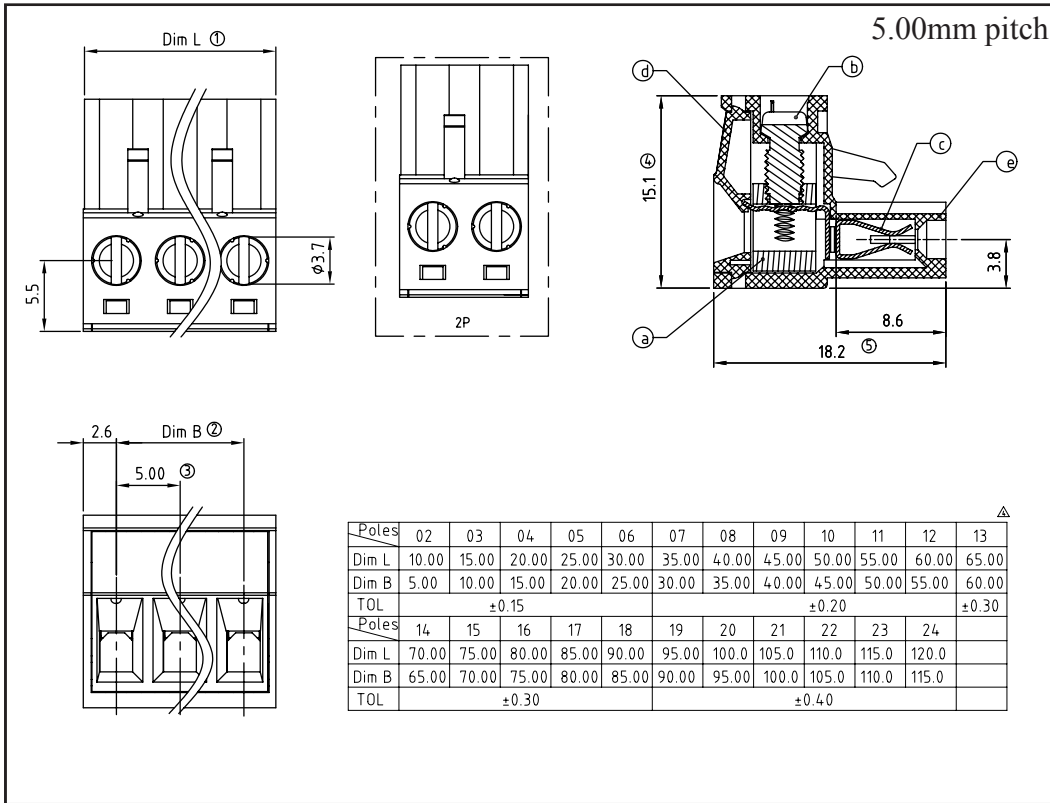
3.81mm pitch with flange

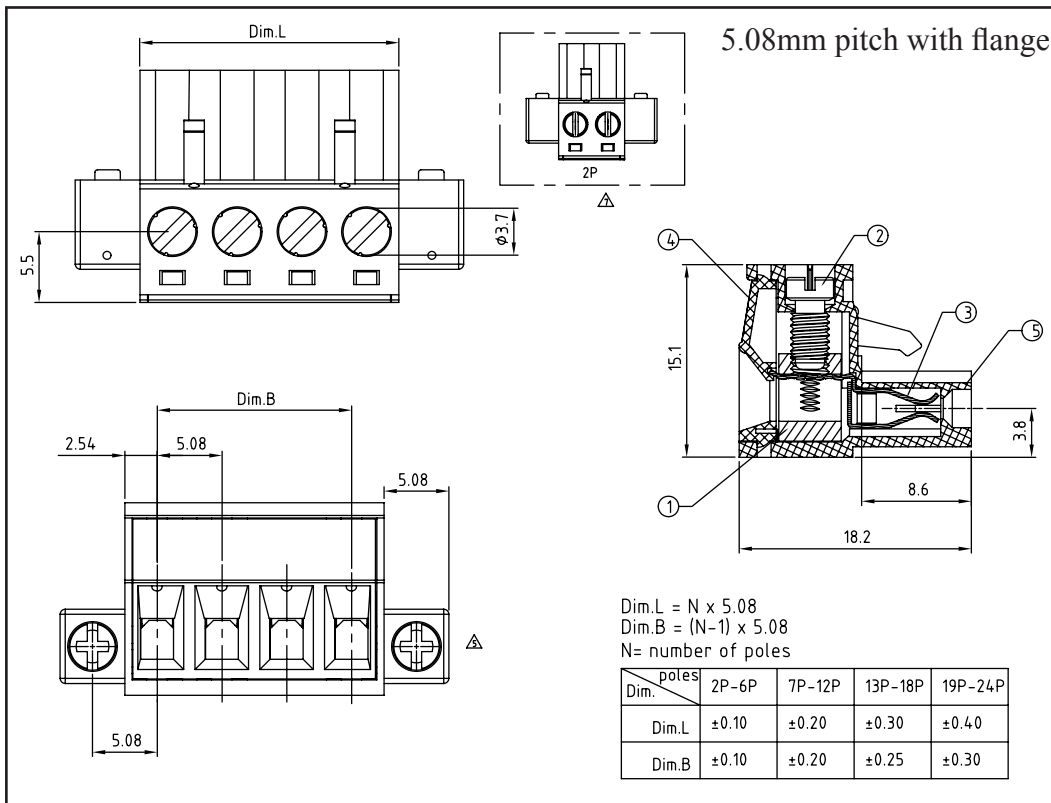
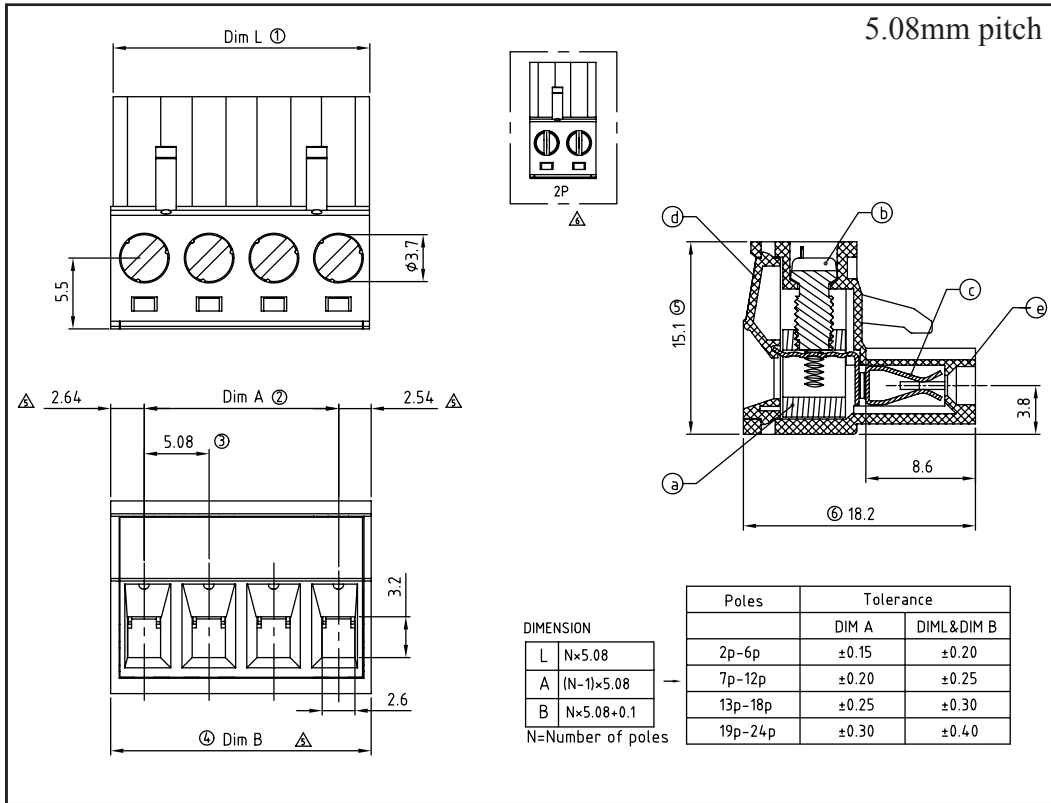


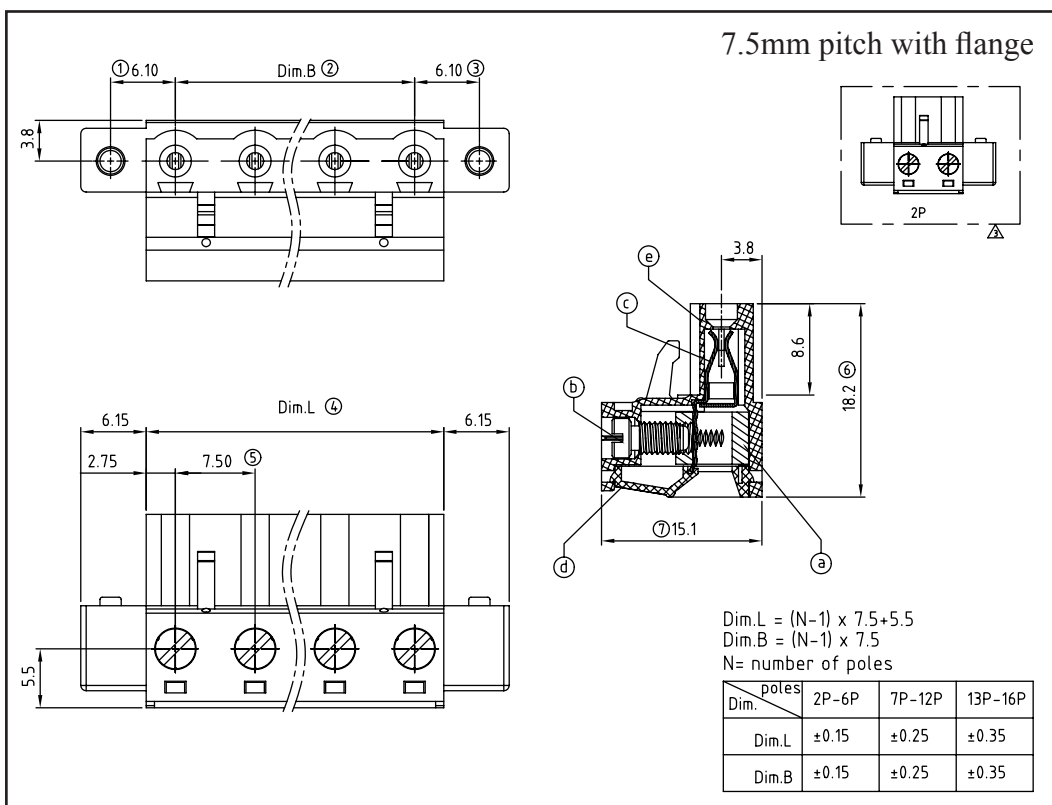
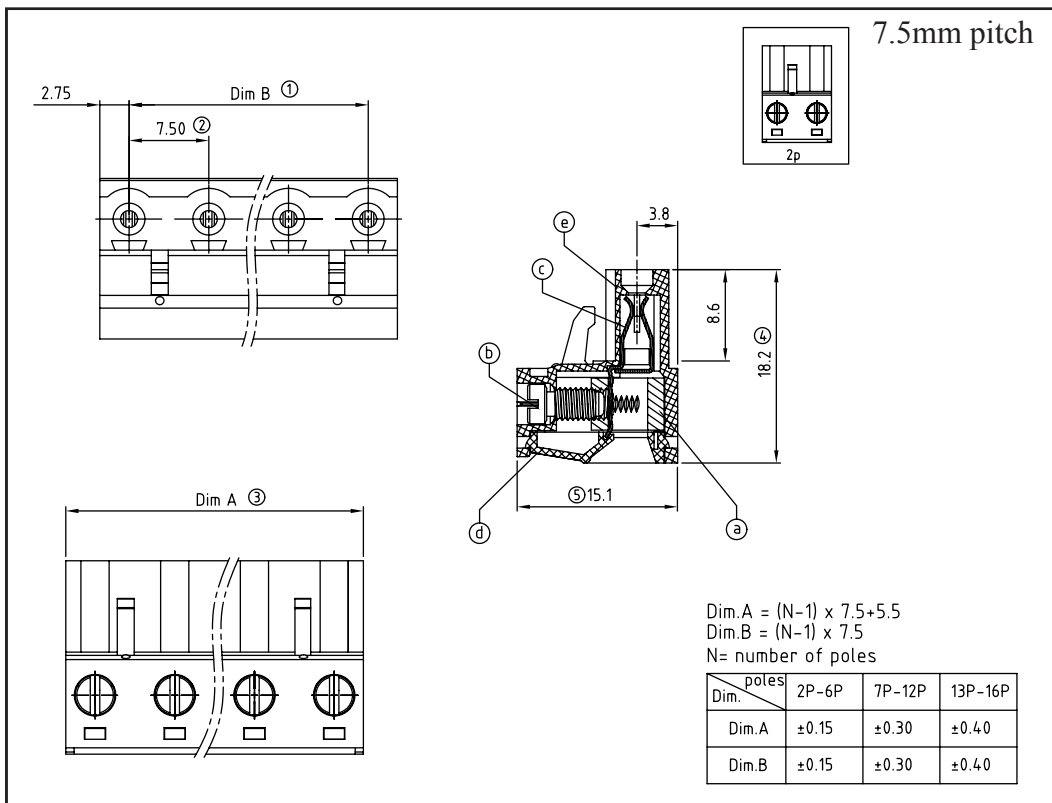
Dim.L = N x 3.81
Dim.B = (N-1) x 3.81
N = number of poles

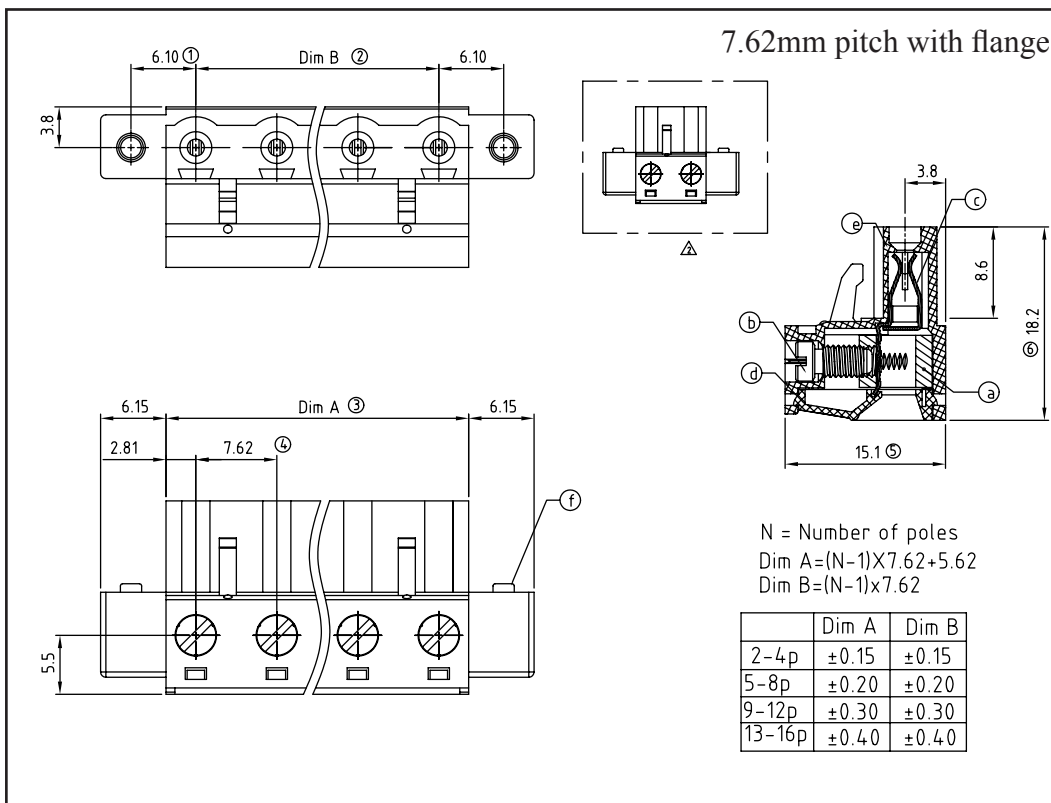
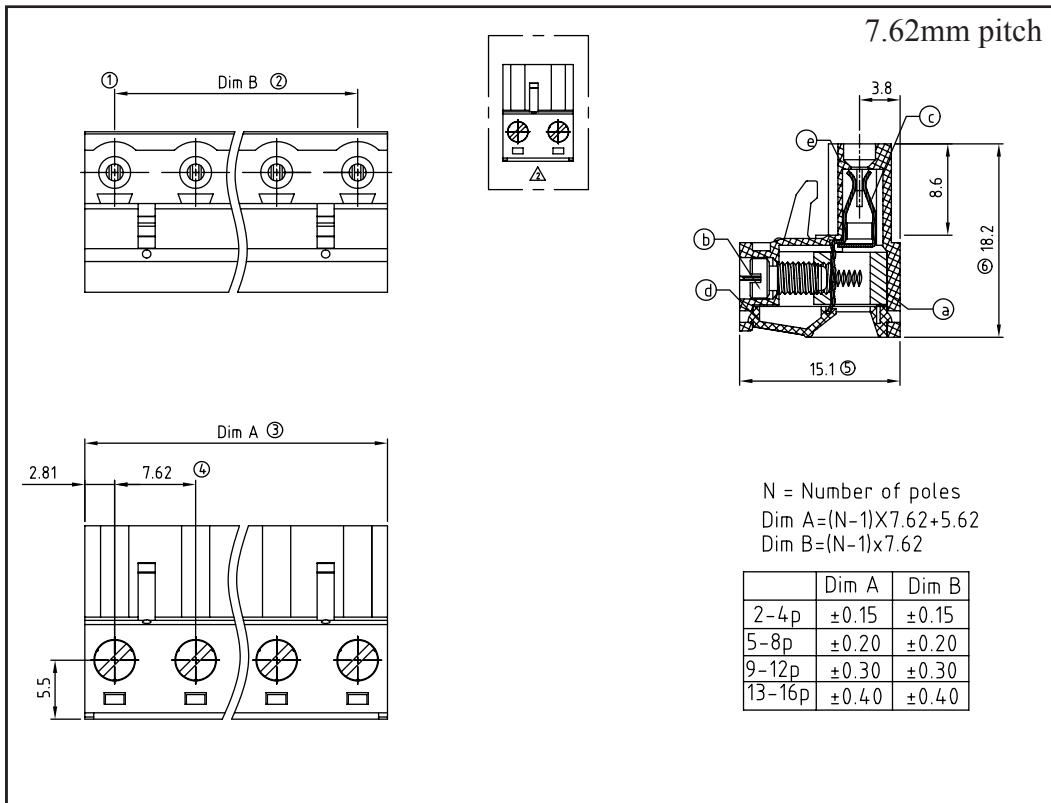
Dim. \ poles	2P-6P	7P-12P	13P-18P	19P-24P
Dim.L	±0.15	±0.20	±0.25	±0.30
Dim.B	±0.10	±0.15	±0.20	±0.25











ORDERING CODES

RAL 7004

