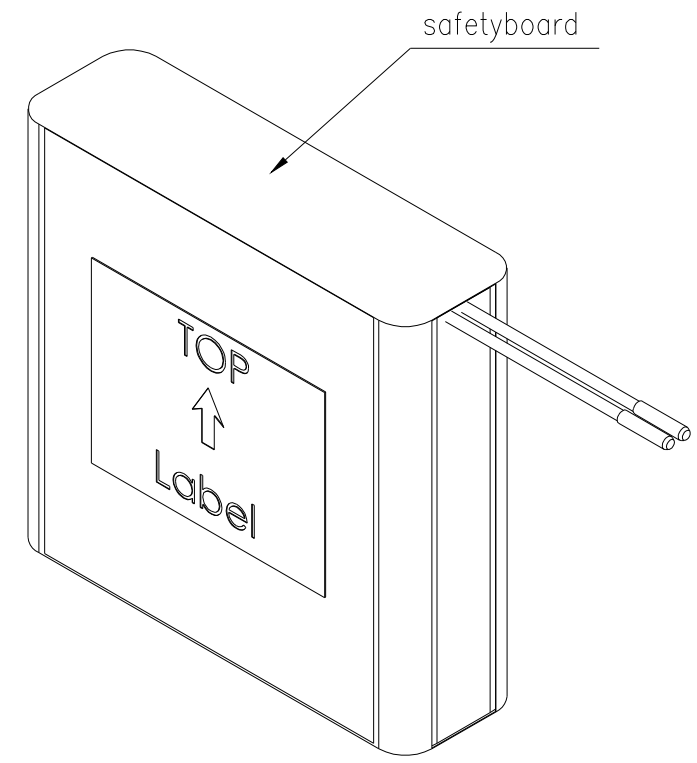
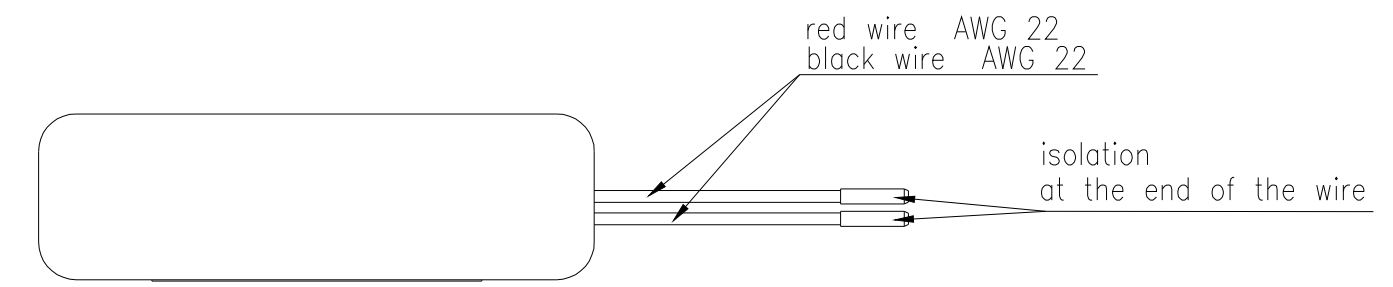
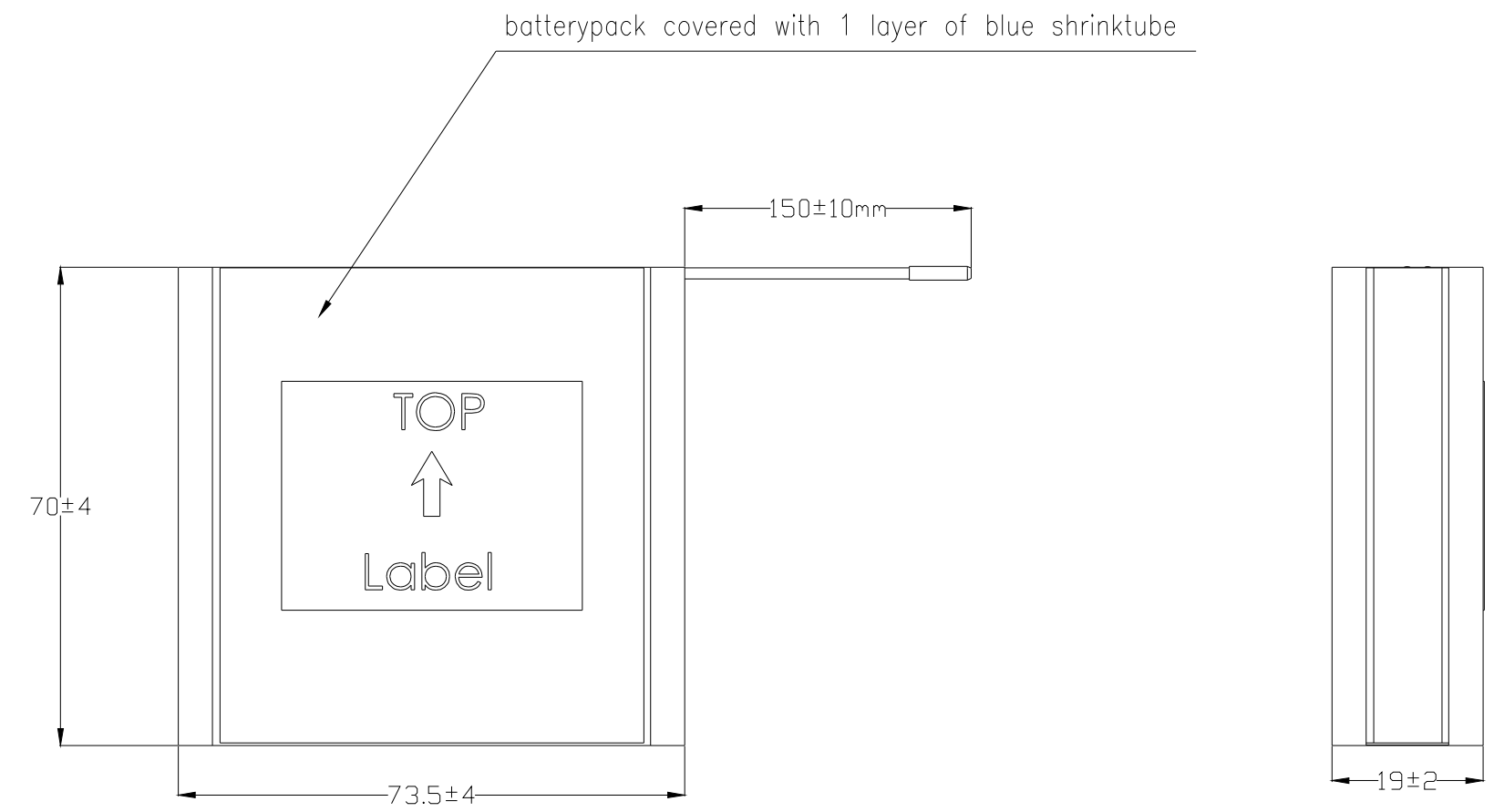


The supplier acknowledges that, with the acceptance of this drawing, he is in a position to manufacture the object in accordance with the drawing in reproducible form and to deliver it in the required quantity and quality. The drawing is the property of the customer and must be kept confidential. The drawing is not to be used for other purposes without the written approval of the customer. Verbal agreements over and above that are not valid. Deviations from this rule must be written and must be signed by the purchaser.

Technische Daten/ technical data	:	Akkupack/ Battery pack
Chemie/ chemistry	:	Lithium Ion
Zellentyp/ Cell type	:	INR18650 M26 LG
Zellenzahl/ no. of cells	:	4 Zellen/ cells ; 2S2P
Kapazität/ capacity	:	nom. 5200mAh discharge at 0.2C min. 5000mAh discharge at 0.2C  ta:20°C; EV(Discharge End Voltage): 5.5V
Innenwiderstand/ impedance	:	< 120mOhm (battery and safetyboard)
Nominalspannung/ nominal voltage	:	7.2V
Standard Ladespannung/ standard charge voltage	:	8.4V±1%
Nominaler Ladestrom/ nominal charge current	:	0.5C
Maximaler Ladestrom/ max. charge current	:	5000mA (limited by safetyboard)
Ladeendstrom/ charge end current	:	0.01C recommended
Maximaler Entladestrom/ maximum discharge current	:	5000mA (limited by safetyboard)
Anwendungstemperaturbereich/ ambient temperature range	:	0°C...+45°C charge -20°C...+60°C discharge -20°C...+30°C storage max. 1 year
Standards/	:	UN 3480, Subsection 38.3 All cells and battery packs type tested according to UN manual of test and criteria subsection 38.3
Technische Daten/ technical data	:	Sicherheitsschaltung/ safety board
Abschaltspannung/ over charge voltage detection	:	8.6V±50mV
Wiedereinschaltspannung/ over charge release voltage	:	8.2V±100mV
Entladeabschaltspannung/ over discharge detection voltage	:	4.8V±100mV
Wiedereinschaltspannung/ over discharge release voltage	:	6V±100mV
Nominaler Entladestrom/ nominal discharge current	:	5A continuous
Entlade Abschaltstrom/ discharge cut off current	:	13A± 3A
Kurzschlusschutz/ short circuit protection	:	gegen äußeren Kurzschluss/ against external short circuit
Temperaturschalter/ temperature switch	:	PTC: JK-P730 20V/ 7.3A at 25°C ; 6.2A at 40°C
Rückstellkriterium/ release condition	:	Last trennen, Aktiv nach Anladen/ cut load, release after charging up
Standards	:	CE



Part Number	SAP Description
2447-3043-02	Li-Ion-7.2V-5200mAh-2S2P-M26
2447-3043-202	Li-Ion-7.2V-5200mAh-2S2P-M26/UK

Verwendungsbereich/Application range für Anfrage/for inquiry AN-IS-2012-00431		Zul. Abweichung/ Allowable deviation	Oberfläche/ Surface	Maßstab/Scale (DIN A2): 1:1	Gewicht/Weight
		Allgemeintoleranz DIN ISO 2768-m		Werkstoff/Work material, Modell-Nr.	
		2019 Datum/Date	Name	Zeichnungsname/Drawing name	
		Erstellt/ Drawn by	25.01.	MSt	Li-Ion Battery 7.2V 5200mAh with safetyboard
V2	change request: DE-20-5013	24.03.20	MSt	Zeichnungsnummer/Drawing number	
V1	part number overview added	15.04.19	DS	Artikelnummer/Part number	
V0	---	XX.XX.XX	XX	2447-3043-X02	
Version	Anderung/Change	Datum/Date	Name	Ursprung/Origin Proj. IS-2013-00431	Ersatz für/Replaced by
				Ersatz durch/Replacement through	Blatt/ Sheet 1

