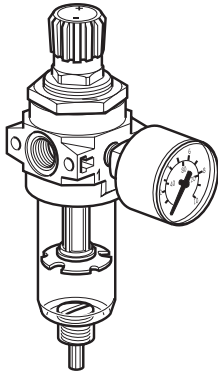
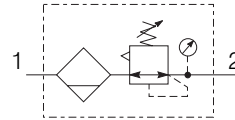


Mini FRLs

Filter regulator



Symbol



- 'Elastomatic' filter elements 5 micron standard, 40 micron optional.
- 3 secondary pressure ranges, 0-2 bar, 0-4 bar or 0-8 bar.
- Push to lock, non-rising control knob.
- Colour coded adjustment knobs.
8 bar Black, 4 bar Grey, 2 bar Blue.

Part numbers:

P3A - EA	0	0	X	X	X	X	X	P	
G ¹ / ₈	11	Transparent Bowl Manual Drain	B	5 Micron	E	Relieving	B	0,2 - 8 bar + Gauge	G
G ¹ / ₄	12	Transparent Bowl Semi-Auto Drain	C	40 Micron	G	Non- Relieving	N	0,2 - 8 bar No Gauge	N
		High Capacity Transparent Bowl Automatic Drain*	8					0,2 - 2 bar + Gauge	Z
								0,2 - 2 bar No Gauge	Y
								0,2 - 4 bar + Gauge	M
								0,2 - 4 bar No Gauge	L

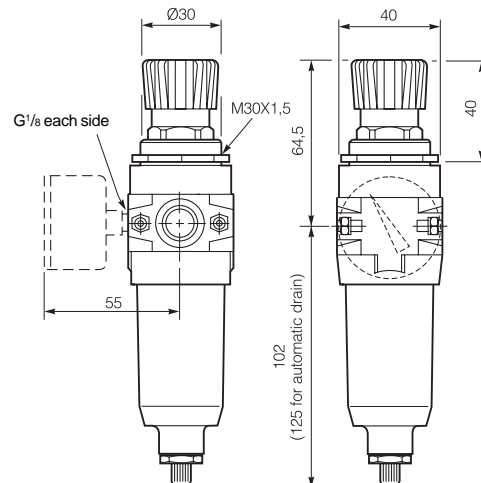
* Available year 2000

Technical information

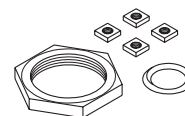
Max. inlet pressure	10 bar max.
Temperature range	-10°C +50°C
Bowl capacity	11 cm ³
High capacity bowl	33 cm ³
Flow G ¹ / ₄ - 2 - 8 bar	10,9 dm ³ /s
Weight	132g

Note: For materials see page 16.
For pressure gauges see page 61.

Dimensions (mm)



* Modular connection kit
with each product



For Repair Kits and Spares
see page 62 and 63.