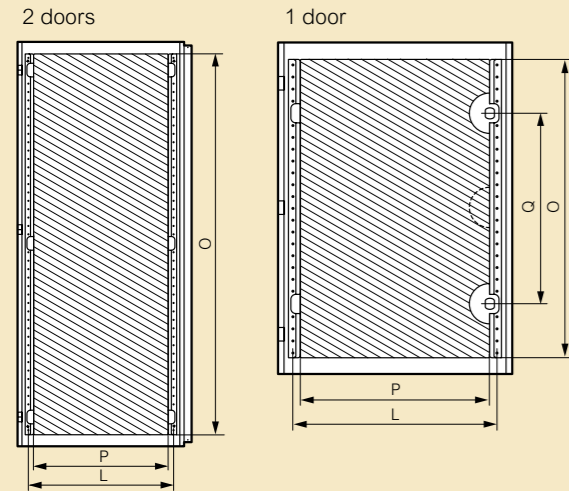


Atlantic metal cabinets
IP 55/IP 66 - IK 10 - Nema 4x - Nema 12

■ Usable dimensions

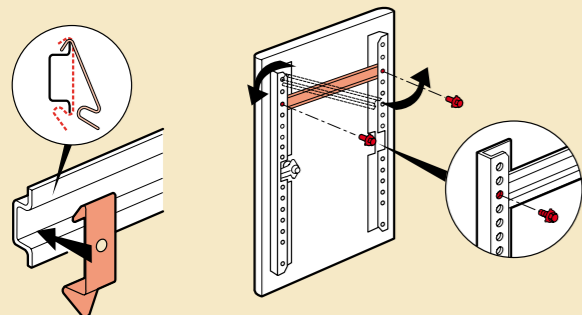
Doors



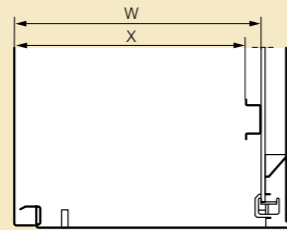
Cat.Nos	Cabinets		Door usable dimensions		Lock positions Q (mm)	Strand-holder fixing centres L (mm)
	Height (mm)	Width (mm)	Height O (mm)	Width P (mm)		
0 355 00	300	200	251	148	(1)	(3)
0 355 05/30	300	300	251	248	(1)	(3)
0 355 01	300	400	251	348	(1)	(3)
0 355 02/09	400	300	351	248	(1)	(3)
0 355 31	400	400	351	348	(1)	(3)
0 355 06	400	600	325	500	(1)	530
0 355 03/07	500	400	425	300	(1)	330
0 355 32	500	500	425	400	(1)	430
0 355 04/08	600	400	525	300	350(2)	330
0 355 10/20/36	600	600	525	500	350(1)	530
0 355 21	600	800	525	300 x 2	(1)	330
0 355 37	600	1000	525	400 x 2	(1)	430
0 355 12/22	700	500	625	400	400(2)	430
0 355 14/23/28	800	600	725	500	500(2)	530
0 355 15/24	800	800	725	700	500(2)	730
0 355 33/34	800	1000	725	400 x 2	(1)	430
0 355 17/26	1000	600	925	500	(1)	530
0 355 18/27/29	1000	800	925	700	(1)	730
0 355 91	1000	1000	925	400 x 2	(1)	430
0 355 90	1000	1200	925	500 x 2	(1)	530
0 355 92/96	1200	800	1125	700	(1)	730
0 355 93	1200	1000	1125	400 x 2	(1)	430
0 355 94/97	1200	1200	1125	500 x 2	(1)	530
0 355 98	1400	800	1325	700	(1)	730
0 355 95	1400	1000	1325	400 x 2	(1)	430

- 1: Central lock
- 2: Top and bottom lock
- 3: Without strand-holder

Fixing on door of a symmetrical rail depth 15 mm with Cat.No 0 367 35



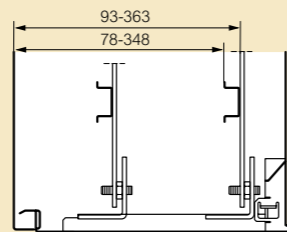
Usable depth



Cabinets Depth (mm)	Back of cabinet	
	W (mm)	X (mm)
160	140	125
200	180	165
250	230	215
300	280	265
400	380	365

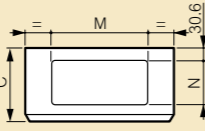
Adjustment of equipment (optional) with slides

Cat.No 367 45
For 400 mm depth cabinets

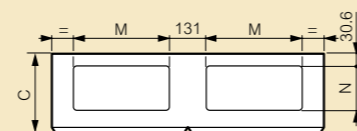


Cable entries

Cabinets width ≤ 800 mm



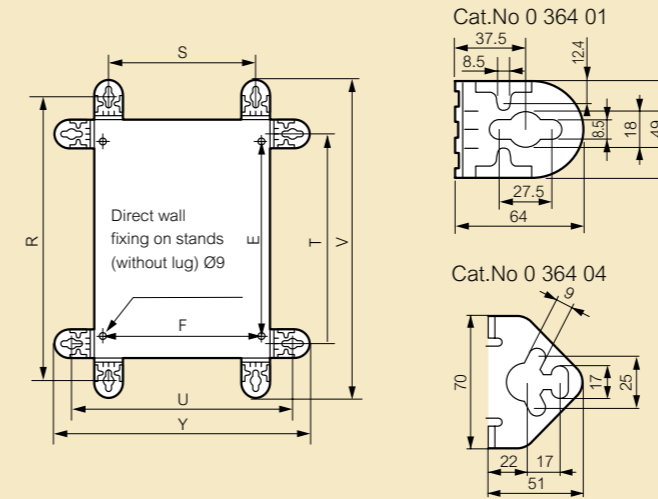
Cabinets width ≥ 1000 mm



Cabinets (mm)		Dimensions of cable entries (mm)		
Width	Depth	C	M	N
200	160	170	-	-
300	200	210	169	115
400	200	210	269	115
400	250	260	269	115
500	250	260	369	150
500	300	310	369	150
600	250	260	469	150
600	300	310	469	150
600	400	410	469	150
800	250	260	469	150
800	300	310	469	150
800	400	410	469	150
1000	250	260	369	150
1000	300	310	369	150
1200	300	310	469	150
1200	400	410	469	150

■ Usable dimensions

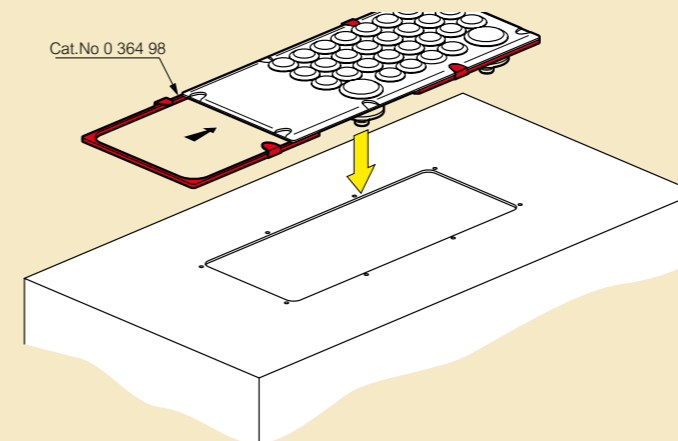
Fixing



Cabinets H (mm)	W (mm)	R (mm)	S ⁽¹⁾ (mm)	E (mm)	T ⁽¹⁾ (mm)	U (mm)	Mounting centres F (mm)	Overall 0 364 01		Overall 0 364 04	
								V (mm)	Y (mm)	V (mm)	Y (mm)
300	200	375	150	225	250	275	169	430	330	402	302
300	300	375	250	225	250	375	269	430	430	402	402
300	400	375	350	225	250	475	369	430	530	402	502
400	300	475	250	325	350	375	269	530	430	502	402
400	400	475	350	325	350	475	369	530	530	502	502
400	600	475	550	325	350	675	569	530	730	502	702
500	400	575	350	425	450	475	369	630	530	602	502
500	500	575	450	425	450	575	469	630	630	602	602
600	400	675	350	525	550	475	369	730	530	702	502
600	600	675	550	525	550	675	569	730	730	702	702
600	800	675	750	525	550	875	769	730	930	702	902
600	1000	675	950	525	550	1075	969	730	1130	702	1102
700	500	775	450	625	650	575	469	830	630	802	602
800	600	875	550	725	750	675	569	930	730	902	702
800	800	875	750	725	750	875	769	930	930	902	902
800	1000	875	950	725	750	1075	969	930	1130	902	1102
1000	600	1075	550	925	950	675	569	1130	730	1102	702
1000	800	1075	750	925	950	875	769	1130	930	1102	902
1000	1000	1075	950	925	950	1075	969	1130	1130	1102	1102
1000	1200	1075	1150	925	950	1275	1169	1130	1330	1102	1302
1200	800	1275	750	1125	1150	875	769	1330	930	1302	902
1200	1000	1275	950	1125	1150	1075	969	1330	1130	1302	1102
1200	1200	1275	1150	1125	1150	1275	1169	1330	1330	1302	1302
1400	800	1475	750	1325	1350	875	769	1530	930	1502	902
1400	1000	1475	950	1325	1350	1075	969	1530	1130	1502	1102

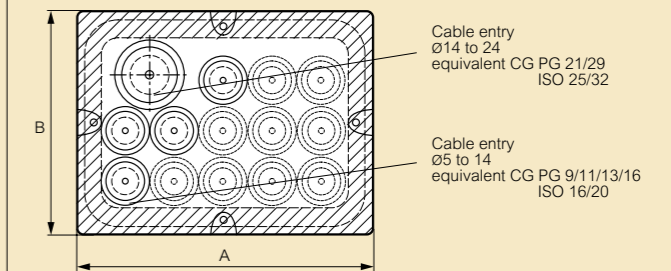
1: Same mounting centres for Cat.Nos 0 364 01 and 0 364 04

■ Assembly kit on plane surface for Cabstop plate



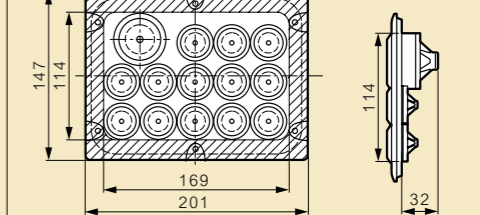
■ Cabstop plate

- Tensile resistance: 15 kg minimum
- Operating temperature: - 20 °C to + 65 °C
- ASTM No 3 resistance to cutting oil
- Resistance to incandescent wire: 750 °C according to IEC EN 60695-2-11

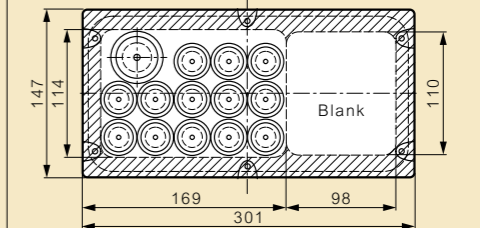


Dimensions

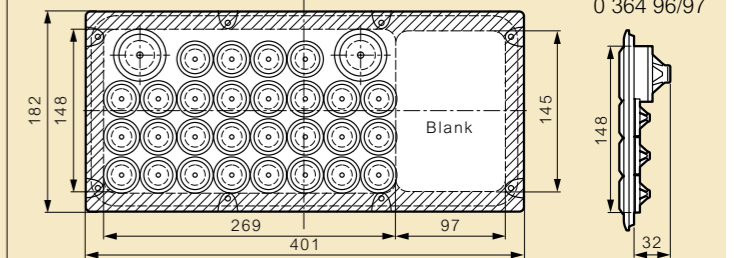
Cat.No 0 364 94 Side view 0 364 94/95



Cat.No 0 364 95



Cat.No 0 364 96



Cat.No 0 364 97

