

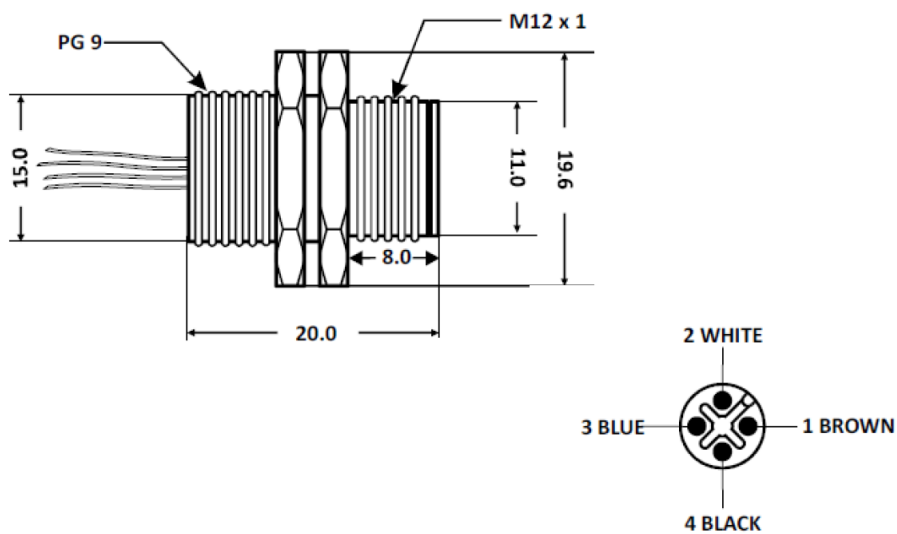
Datasheet

Connector Assembly

RS Stock 877-1110



Dimensions (mm)





Datasheet

Specifications

General Specification

Rated Operational Voltage	250 V
Current Rating	4A
Insulation Resistance	$\geq 100 \text{ M}\Omega$
Temperature Range	-25°C ... +75°C
Degree of Protection	IP67

Material Specification

Housing Material	Brass Ni Plated
Contact	Cu-Zn
Contact Plating	Gold Plated
Contact Carrier	Nylon 66
O-Ring	Neoprene
Pole	4
Clamp Nut	PG9

Cable Specification

Cross Section of Wire	0.34 sq.mm
Termination	Partially Stripped
Cable length	200 mm