

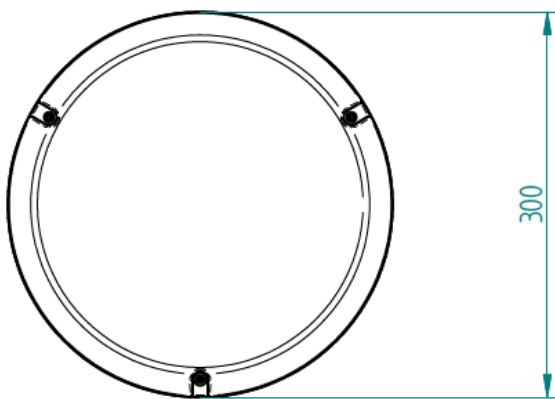
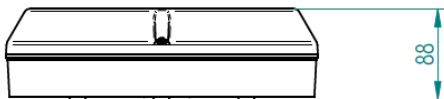
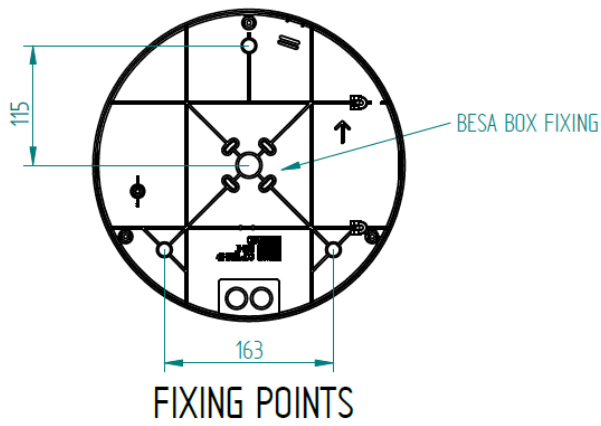
## Datasheet

**RS, 28 W Fluorescent Lighting Bulkhead,  
Prismatic, 240 V ac, IP65, Lamp Supplied**  
Stock Number: 719-5004



### VERSIONS

- High Frequency or Dimmable
- 3hr Maintained and Auto test (16W & 28W only)
- Microwave Presence Detector
- Clear or Opal diffuser
- Black or White base
- Factory fitted Photocell



FOOTPRINT

