

# Network cable - VS-PPC/ME-IP20-94F-LI/5,0

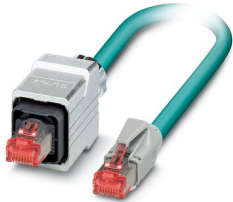


1415555

<https://www.phoenixcontact.com/gb/products/1415555>

Please be informed that the data shown in this PDF document is generated from our Online Catalog. Please find the complete data in the user documentation. Our General Terms of Use for Downloads are valid.

---



Assembled Ethernet cable, CAT6, shielded, 4-pair, AWG 26 stranded (7-wire), RAL 5021 (water blue), RJ45 plug/IP67 push-pull metal housing on RJ45 plug/IP20, line, length 5 m

---

# Network cable - VS-PPC/ME-IP20-94F-LI/5,0



1415555

<https://www.phoenixcontact.com/gb/products/1415555>

## Commercial Data

Item number	1415555
Packing unit	1 pc
Minimum order quantity	1 pc
Note	Made to Order (non-returnable)
Sales Key	ABNEAJ
Product Key	ABNEAJ
Catalog Page	Page 209 (PC-2009)
GTIN	4046356474931
Weight per Piece (including packing)	302.9 g
Weight per Piece (excluding packing)	284.4 g
Customs tariff number	85444210
Country of origin	PL

## Technical Data

### Product properties

Product type	Data cable preassembled
Number of positions	8
No. of cable outlets	1
Shielded	yes
Cable outlet	straight

### Insulation characteristics

Degree of pollution	2
---------------------	---

### Electrical properties

Transmission medium	Copper
---------------------	--------

### Material specifications

Flammability rating according to UL 94	V2
--	----

### Connector

Insertion/withdrawal cycles	≥ 200
-----------------------------	-------

#### Header 1

Material	Metal
Degree of protection	IP67

#### Head 2

Material	Plastic
----------	---------

### Cable / line

Cable length	5.00 m
Cable weight	44.00 kg/km

### Cable structure

Cable type	Ethernet
Cable structure	4x2xAWG26/7; S/FTP
External cable diameter	6.70 mm
Outer sheath, material	PUR
External sheath, color	water blue RAL 5021
Conductor material	Bare Cu litz wires
Conductor structure signal line	7x 0.16 mm
AWG signal line	26
Wire diameter incl. insulation	1 mm
Single wire, color	White-blue, white-orange, white-green, white-brown

### Electrical properties

Wave impedance	100 Ω ±5 % (at 100 MHz)
----------------	-------------------------

# Network cable - VS-PPC/ME-IP20-94F-LI/5,0



1415555

<https://www.phoenixcontact.com/gb/products/1415555>

## Mechanical properties

Smallest bending radius, fixed installation	min. 33.5 mm
Smallest bending radius, movable installation	min. 33.5 mm

## Bending cycles

Smallest bending radius, fixed installation	min. 33.5 mm
Smallest bending radius, movable installation	min. 33.5 mm

## Ambient conditions

Degree of protection	IP20
Degree of protection	IP67
Degree of protection	IP67/IP20
Ambient temperature (operation)	-25 °C ... 60 °C (cable, fixed installation)
Ambient temperature (operation)	-10 °C ... 50 °C (Cable, flexible installation)

# Network cable - VS-PPC/ME-IP20-94F-LI/5,0

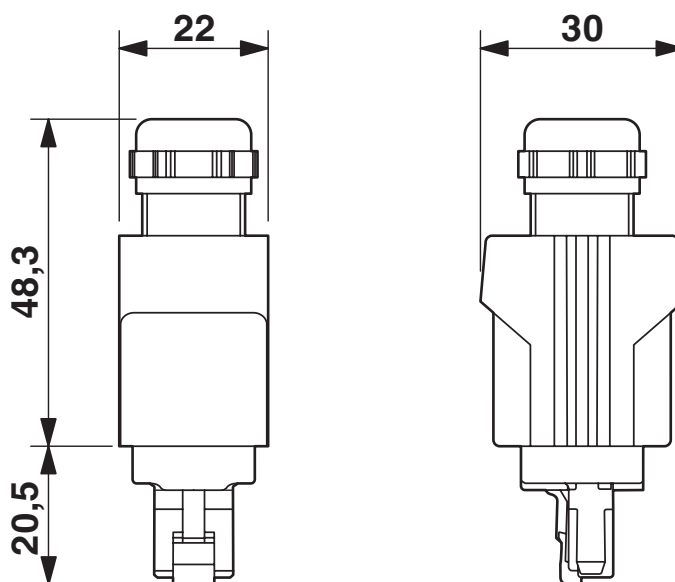


1415555

<https://www.phoenixcontact.com/gb/products/1415555>

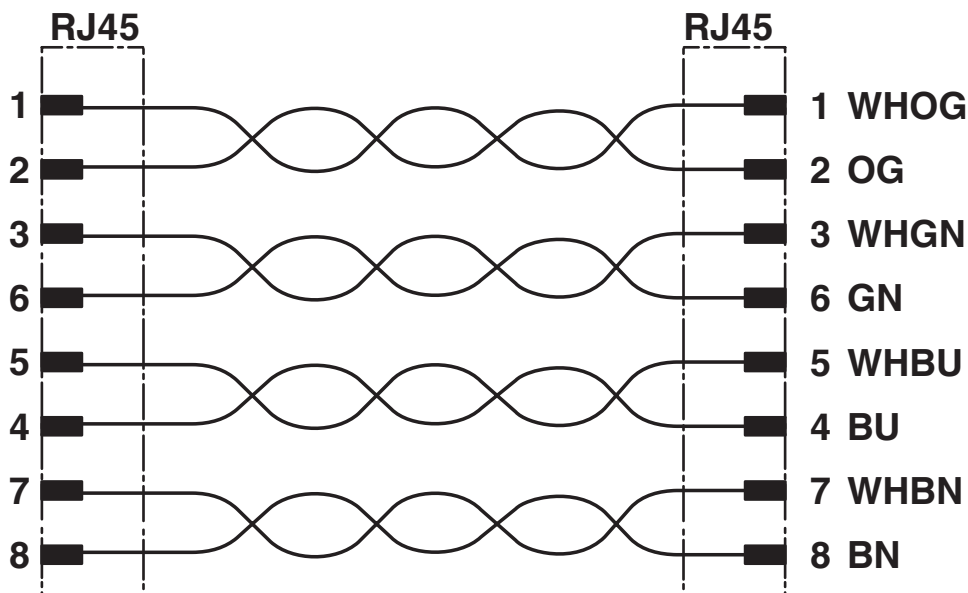
## Drawings

Dimensional drawing



Push-pull RJ45 connector IP65/67

Circuit diagram



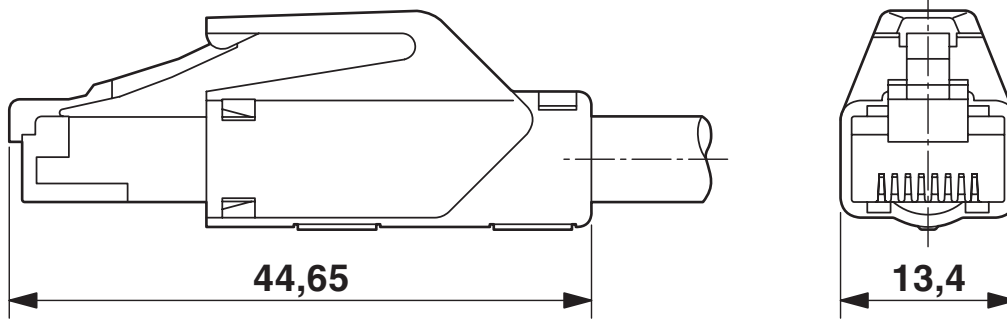
# Network cable - VS-PPC/ME-IP20-94F-LI/5,0

1415555

<https://www.phoenixcontact.com/gb/products/1415555>



Dimensional drawing



# Network cable - VS-PPC/ME-IP20-94F-LI/5,0



1415555

<https://www.phoenixcontact.com/gb/products/1415555>

## Approvals



**EAC**

Approval ID: 19060508

# Network cable - VS-PPC/ME-IP20-94F-LI/5,0



1415555

<https://www.phoenixcontact.com/gb/products/1415555>

## Classifications

### ECLASS

ECLASS-9.0	27060308
ECLASS-10.0.1	27060308
ECLASS-11.0	27060308

### ETIM

ETIM 8.0	EC002599
----------	----------

### UNSPSC

UNSPSC 21.0	26121600
-------------	----------



# Network cable - VS-PPC/ME-IP20-94F-LI/5,0



1415555

<https://www.phoenixcontact.com/gb/products/1415555>

## Environmental Product Compliance

REACH SVHC	Lead 7439-92-1
China RoHS	Environmentally Friendly Use Period = 50 years
	For information on hazardous substances, refer to the manufacturer's declaration available under "Downloads"

Phoenix Contact 2022 © - all rights reserved

<https://www.phoenixcontact.com>

PHOENIX CONTACT Ltd  
Halesfield 13, Telford  
Shropshire, TF7 4PG  
01952 681700  
[info@phoenixcontact.co.uk](mailto:info@phoenixcontact.co.uk)