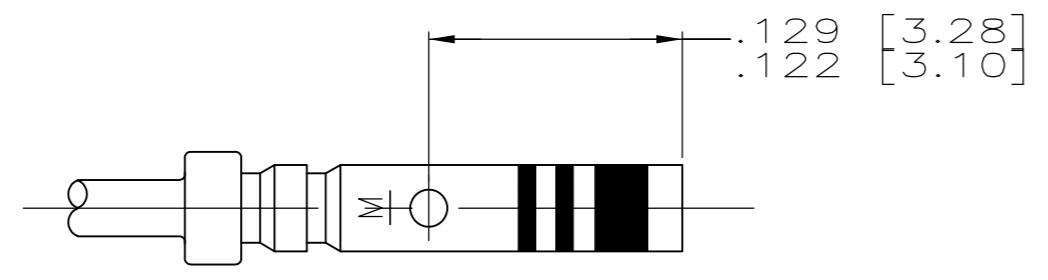
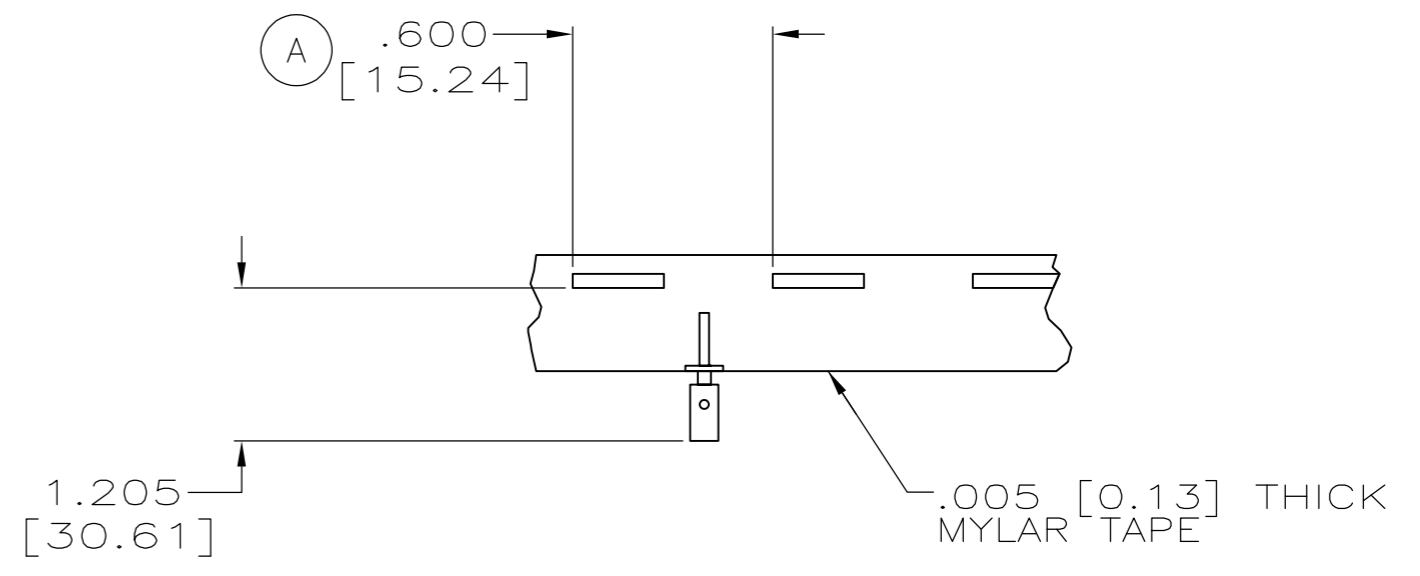
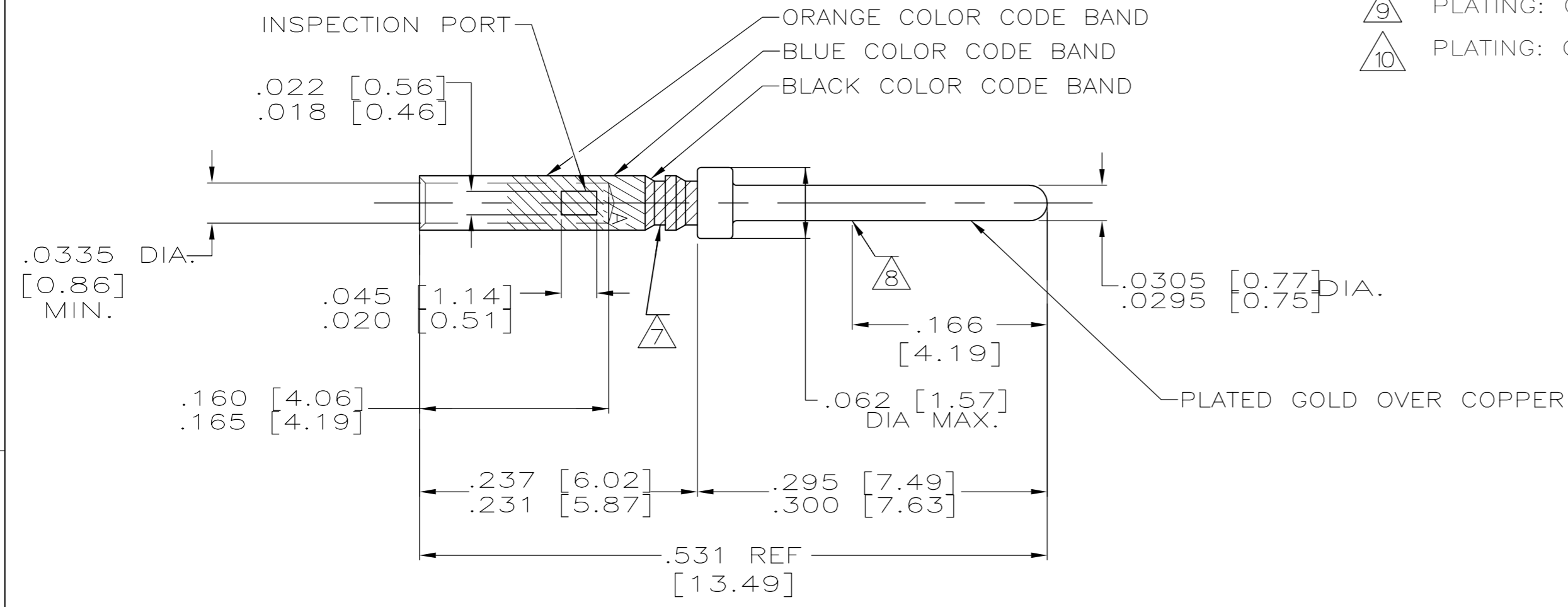


THIS DRAWING IS UNPUBLISHED. RELEASED FOR PUBLICATION
 © COPYRIGHT BY TYCO ELECTRONICS CORPORATION. ALL INTERNATIONAL RIGHTS RESERVED.

LOC		DIST		REVISIONS			
P	LTR	DESCRIPTION		DATE	DWN	APVD	
	P	REV PER ECO-09-015482		09JUL09	PY	RL	

1. WIRE BARREL WILL ACCEPT #22-28 AWG WIRE.
2. CRIMPING TOOL- USE MS3198-1 WITH APPLICABLE POSITIONER.
3. CONTACT CONFORMS TO MIL-C-39029/58, SIZE 22. & MS27493-22D.
4. NET WEIGHT- .072 GRAMS.
5. INSERTION, EXTRACTION TOOL- AMP P/N 91067-1.
6. THIS CONTACT IDENTIFIED AS MS27493-22D SUPERSEDES M24308/13-1.
7. IDENTIFICATION GROOVE IS OPTIONAL.
8. POINT OF PLATING THICKNESS MEASUREMENT.
9. PLATING: GOLD PER MIL-G-45205 OVER NICKEL PER QQ-N-290.
10. PLATING: GOLD PER MIL-G-45204 OVER COPPER PER MIL-C-14550



ALTERNATE CONFIGURATION

WHEN ORDERING CONTACT ON TAPE, ORDER BY THE TAPE NUMBER PLUS THE PACKAGEING CODE AS FOLLOWS:

2. FOR USE WITH AMP TAPETRONIC, PNEUMATIC TOOL-
 A. 1000 PARTS TO A BOX ADD PACKAGING CODE: 1MBOX
3. FOR USE WITH 4/8 INDENT STRIPPER CRIMPER-
 A. 1000 PARTS TO A REEL ADD PACKAGING CODE: 1MREEL
 B. 5000 PARTS TO A REEL ADD PACKAGING CODE: 5MREEL

AS SHOWN	9	1-204370-3
CONTACTS ON TAPE WITH COLOR CODE	SAME AS -3	1-204370-2
WITHOUT COLOR CODE	10	204370-8
CONTACTS ON TAPE	SAME AS -2	204370-5
AS SHOWN	9	204370-2
DESCRIPTION	PLATING	PART NO.

DIMENSIONS:		TOLERANCES UNLESS OTHERWISE SPECIFIED:		Tyco Electronics	
INCHES		0 PLC ± -		NAME	CONTACT PIN, SIZE 22D
		1 PLC ± -		SIZE	A2
		2 PLC ± -		CAGE CODE	00779
		3 PLC ± .005		DRAWING NO	C=204370
		4 PLC ± -		RESTRICTED TO	-
		ANGLES ± -		SCALE	10:1
MATERIAL		FINISH		SHEET	1 OF 1
				REV	P