

XB5PUSB3

panel mounted USB 3.0 port - Ø22 mm - for
USB interface jack type A



Main

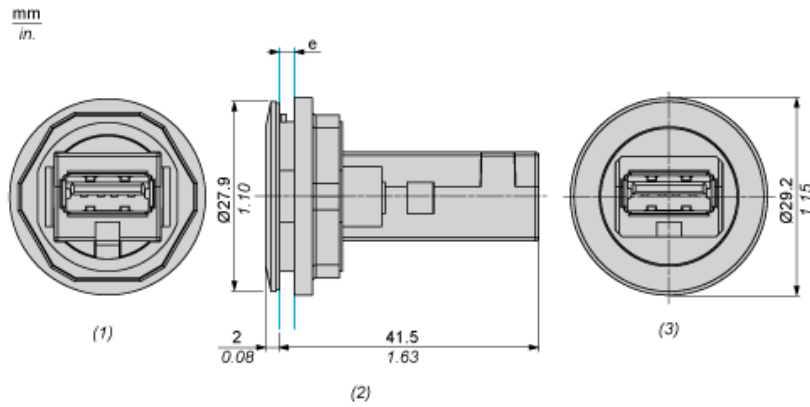
Range of product	Harmony XB5
Product or component type	Panel mounted USB port
Device short name	XB5P

Complementary

Sale per indivisible quantity	1
Mounting diameter	22 mm
Thickness	5 mm without protection cover 1.5...5 mm with protection cover plastic 1.5...5 mm with protection cover rigid plastic 1.5...2.5 mm with protection cover metal
Bezel material	Plastic
Fixing collar material	Plastic
Integrated connection type	USB 3.0 type A
Number of matings	1500 cycles
IP degree of protection	IP20 front IEC 60529 IP20 back IEC 60529
Ambient air temperature for operation	-40...70 °C
Ambient air temperature for storage	-40...70 °C
Tightening torque	1.5 N.m
Vibration resistance	5.35 gn 15 min per axis
Shock resistance	30 gn 11 ms 3 chocks in each direction X, Y and Z
Standards	USB 3.0
Product certifications	CSA UL listed
Height	28 mm
Width	28 mm
Depth	44 mm
Product weight	0.0169 kg

The information provided in this documentation contains general descriptions and/or technical characteristics of the performance of the products contained herein. This documentation is not intended as a substitute for and is not to be used for determining suitability or reliability of these products for specific user applications. It is the duty of any such user or integrator to perform the appropriate and complete risk analysis, evaluation and testing of the products with respect to the relevant specific application or use thereof. Neither Schneider Electric Industries SAS nor any of its affiliates or subsidiaries shall be responsible or liable for misuse of the information contained herein.

Dimensions

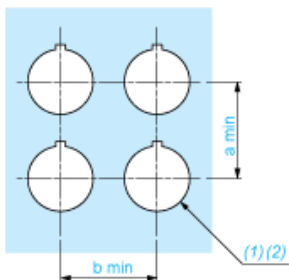


- (1) Rear view
- (2) Side view
- (3) Front view
- (e)

Clamping thickness without accessory: 1.5 mm to 5 mm / 0.05 in to 0.19 in
Clamping thickness with ZBSP1 & ZBSP2: 1.5 mm to 5 mm / 0.05 in to 0.19 in
Clamping thickness with ZBSP3: 1.5 mm to 2.5 mm / 0.05 in to 0.10 in

Panel Cut-out for Panel Mounted USB Port

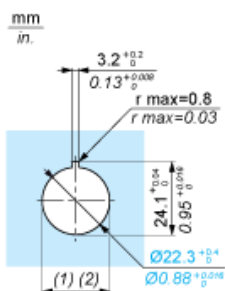
Connection by Screw Clamp Terminals or Plug-in Connectors



- (1) Diameter on finished panel or support
- (2) $\text{\O}22.5 \text{ mm}$ recommended ($\text{\O}22.3 \text{ 0}+0.4$) / $\text{\O}0.89 \text{ in.}$ recommended ($\text{\O}0.88 \text{ in. 0}+0.016$)

Connections	a in mm	a in in.	b in mm	b in in.
By screw clamp terminal or plug-in connector	35	1.38	35	1.38

Panel Cut-out



- (1) Diameter on finished panel or support
- (2) $\text{\O}22.5 \text{ mm}$ recommended ($\text{\O}22.3 \text{ 0}+0.4$) / $\text{\O}0.89 \text{ in.}$ recommended ($\text{\O}0.88 \text{ in. 0}+0.016$)