

35189 ✓ ACTIVE

SOLISTRAND

TE Internal #: 35189

Butt Splice, 2 AWG, 34 – 35 mm<sup>2</sup> Wire, 52600 – 83700 CMA,  
Uninsulated, Standard, Copper, 32.13 mm [1.265 in] Length, Loose  
Piece, Closed Barrel

[View on TE.com >](#)



Terminals & Splices > Splices



Splice Type: **Butt Splice**

Wire Size: **34 – 35 mm<sup>2</sup>**

Sealable: **No**

Splice Features: **Standard**

### Features

#### Product Type Features

Splice Accessory Type	Splice
Splice Type	Butt Splice
Sealable	No
Compatible With Discrete Wire Type	Solid, Stranded
Wire Insulation Support Retention Type	Non-Insulation Support

#### Configuration Features

Compatible With Wire & Cable Type	Discrete Wire
-----------------------------------	---------------

#### Body Features

Product Weight	22.638 g
Splice Features	Standard

#### Contact Features

	100 μin
Terminal Plating Material	Tin
Contact Base Material	Copper



Barrel Type	Closed
-------------	--------

### Mechanical Attachment

Wire Insulation Support	Without
-------------------------	---------

### Dimensions

Outside Diameter	13.7 mm[.539 in]
Wire Size	52600 – 83700 CMA
Barrel Inside Diameter	9.39 mm[.37 in]
Terminal Material Thickness	1.85 mm[.073 in]
Product Length	32.13 mm[1.265 in]

### Usage Conditions

Insulation Option	Uninsulated
-------------------	-------------

### Operation/Application

Compatible With Wire Base Material	Copper
------------------------------------	--------

### Industry Standards

Government Qualified Splice	No
-----------------------------	----

### Packaging Features

Packaging Quantity	50
Packaging Method	Loose Piece

### Product Compliance

[For compliance documentation, visit the product page on TE.com>](#)

EU RoHS Directive 2011/65/EU	Compliant
EU ELV Directive 2000/53/EC	Compliant
China RoHS 2 Directive MIIT Order No 32, 2016	有害物质含量符合标准要求 No Restricted Substance(s) Above Threshold
EU REACH Regulation (EC) No. 1907/2006	Current ECHA Candidate List: JUNE 2025 (250) Candidate List Declared Against: JUNE 2025 (250) Does not contain REACH SVHC
Halogen Content	Low Halogen - Br, Cl, F < 900 ppm per homogenous material. Also BFR/CFR/PVC Free
Solder Process Capability	Not applicable for solder process capability

Product Compliance Disclaimer

This information is provided based on reasonable inquiry of our suppliers and represents our current actual knowledge based on the information they provided. This information is subject to change. The part numbers that TE has identified as EU RoHS compliant have a maximum concentration of 0.1% by weight in homogenous materials for lead, hexavalent chromium, mercury, PBB, PBDE, DBP, BBP, DEHP, DIBP, and 0.01% for cadmium, or qualify for an exemption to these limits as defined in the Annexes of Directive 2011/65/EU (RoHS2). Finished electrical and electronic equipment products will be CE marked as required by Directive 2011/65/EU. Components may not be CE marked. Additionally, the part numbers that TE has identified as EU ELV compliant have a maximum concentration of 0.1% by weight in homogenous materials for lead, hexavalent chromium, and mercury, and 0.01% for cadmium, or qualify for an exemption to these limits as defined in the Annexes of Directive 2000/53/EC (ELV). Regarding the REACH Regulation, the information TE provides on SVHC in articles for this part number is based on the latest European Chemicals Agency (ECHA) 'Guidance on requirements for substances in articles' posted at this URL: <https://echa.europa.eu/guidance-documents/guidance-on-reach>

### Compatible Parts



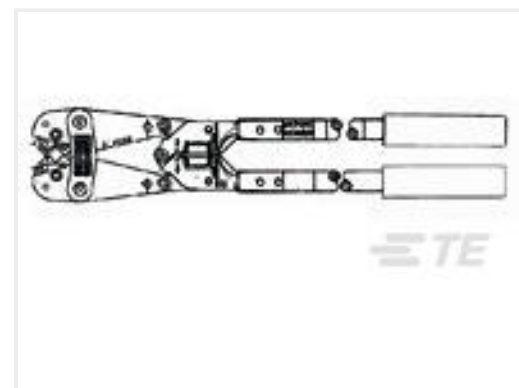
TE Part # 1490414-2  
HYP10 SOLIS HD 6-4AWG INDENTER



TE Part # 48127  
HYP8 SOLIS 6-2AWG INDENTER



TE Part # 1490413-4  
HYP10 SOLIS 2AWG NEST



TE Part # 600850  
ROTO-CRIMP TOOL (ASI)



TE Part # 45433  
HYP8/10 SOLIS 2AWG DIE SET



TE Part # 48130  
HYP8 SOLIS 2AWG NEST



TE Part # 601075  
BANTAM ROTA-CRIMP TOOL

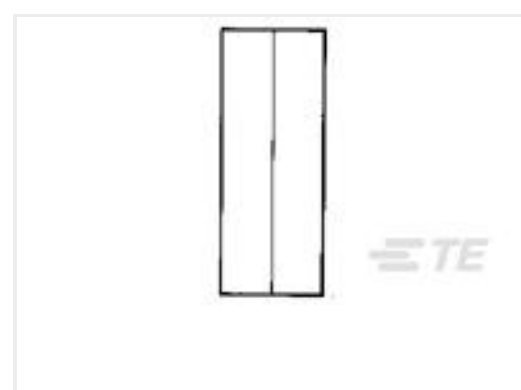
### Customers Also Bought



TE Part #DRC18-40SAE  
PLG, 40P, BLK, E, A



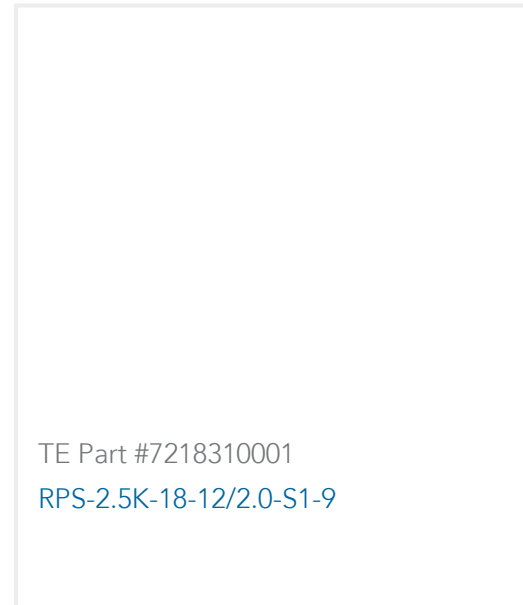
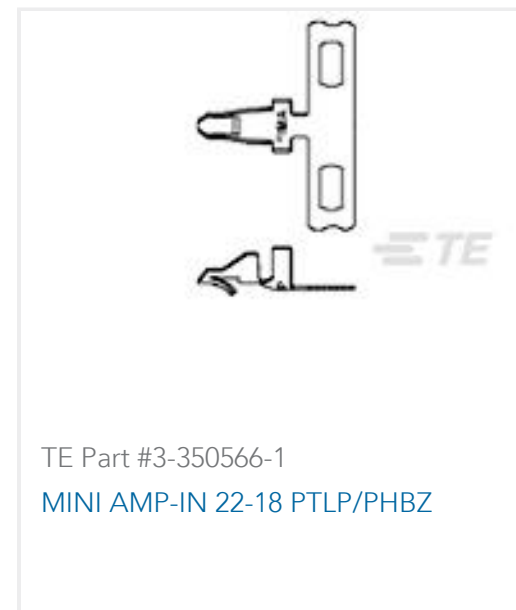
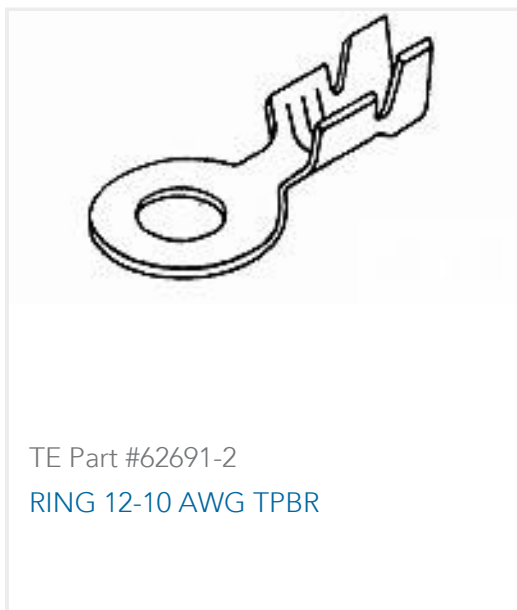
TE Part #36451  
TERMINAL, SOLIS R 12-10 10



TE Part #36946  
SPLICE, SOLIS PARA 1/0



TE Part #61289-1  
RING 12-8 AWG TPBR



## Documents

### Product Drawings

#### SPLICE,SOLIS BUTT 2

English

### CAD Files

#### Customer View Model

[ENG\\_CVM\\_35189\\_K.3d\\_igs.zip](#)

English

#### Customer View Model

[ENG\\_CVM\\_35189\\_K.3d\\_stp.zip](#)

English

#### Customer View Model

[ENG\\_CVM\\_35189\\_K.2d\\_dxf.zip](#)

English

### 3D PDF

English

By downloading the CAD file I accept and agree to the [Terms and Conditions](#) of use.

### Instruction Sheets

#### Instruction Sheet (U.S.)

English

### Agency Approvals

#### UL Report

English

#### UL Report

English

35189

Butt Splice, 2 AWG, 34 – 35 mm<sup>2</sup> Wire, 52600 – 83700 CMA, Uninsulated, Standard, Copper, 32.13 mm [1.265 in] Length, Loose Piece, Closed Barrel

