



SF200-05/09

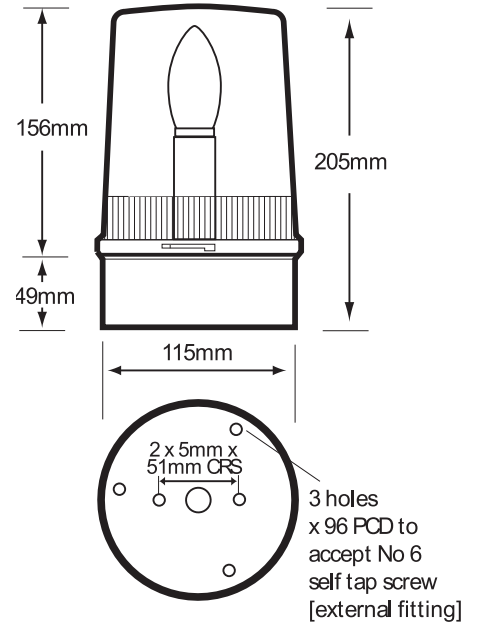


SF201-26/29



SF201-62/63

Visual Signals STATIC FILAMENT BEACONS



Industrial Static Filament Beacons > SF201/200 Series

Product overview

The SF201/200 series is suitable for security, process control and industrial applications.

These beacons are of the Static mode type (single stage alarm).

Once the beacon is energised the Incandescent/Halogen lamp will stay

permanently on. An advantage of this type of beacon is that it can be controlled via a remote source (ie control panel / plc etc) giving the beacon greater flexibility and offering a (flashing) second stage alarm.

The design allows for termination inside the enclosure through the base. The lower wattage units incorporate a Fresnel lens to maximise light intensity.

SF201/200 Series > Ordering Information

Code No:	Voltage:	Light Source:	Current:
SF201-26	12v Ac/Dc~	Ba15d x 5w	0.42 A
SF201-27	24v Ac/Dc~	Ba15d x 5w	0.21 A
SF201-28	12v Ac/Dc~	Ba15d x 10w	0.84 A
SF201-29	24v Ac/Dc~	Ba15d x 10w	0.42 A
SF201-62	12v Ac/Dc~	H1 x 55w	4.60 A
SF201-63	24v Ac/Dc~	H1 x 70w	2.90 A
SF201-05	12v Ac/Dc~	Ba15d x 48w	4.00 A
SF201-06	24v Ac/Dc~	Ba15d x 48w	2.00 A
SF201-07	48v Dc ---	Ba15d x 35w	0.65 A
SF200-08	115v Ac ~	Ba15d x 60w	0.55 A
SF200-09	230v Ac ~	Ba15d x 60w	0.29 A
FL200-09	230v Ac ~	E27 x 9w (Fluorescent)	---

ADD THE FOLLOWING LENS CODES TO THE PRODUCT WHEN ORDERING **01** **02** **03** **04** **05**

Features

- Continuously rated
- Suitable for surface, conduit box or wall mounting
- Optional wall bracket & guard available - see accessories
- 2 point fix
- Low current consumption options
- 360° light output around the vertical axis
- 180° light output above the horizontal axis
- Dustproof and Weatherproof

Material

UV Stable Polycarbonate Lens
UV Stable ABS Plastic Base

Kg 0.76

50/60 **Hz**

°C -25+55

IP 65

INDUSTRIAL

APPROVALS and CONFORMITIES

