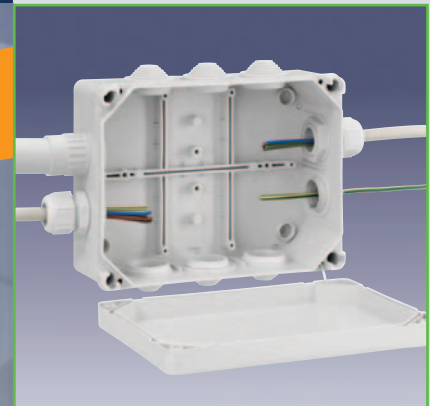


HP Junction Boxes IP 55

NEW



HP Junction Boxes IP 55



- 6 sizes
- Suitable for assembly on wood or other flammable materials supplied with stepped nipples fitted
- Assembled stepped nipple
- Seal range
 - M20 5 to 16 mm
 - M25 5 to 21 mm
 - M32 13 to 26,5 mm
- Connection diameter
 - 1.5 mm² - 10 mm²
- Entry positions also suitable for metric add-on accessories

New: HP 150 and HP 190

- 2 seal holes like HP100
- Labelling panel
- Locknuts can be fitted
- New design
- ▲ Quarter turn screw for quick fixing
- ▲ Box can be fixed using holes in base or through lid fixing holes

Suitable for the installation

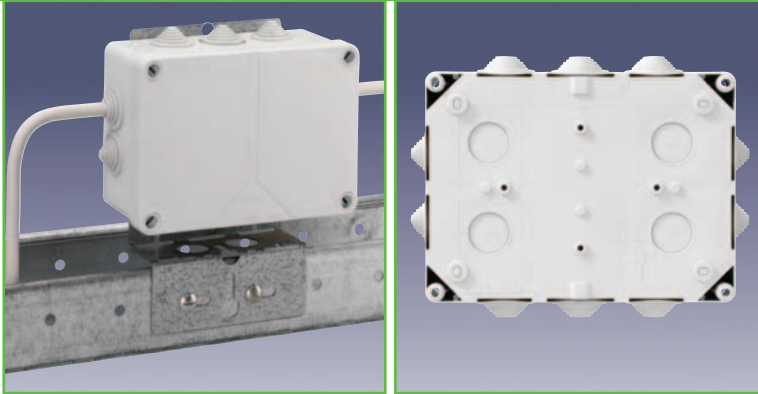
- In damp and wet areas and rooms
- In buildings where there are crowds of people.
- In temporary buildings, vehicles and caravans



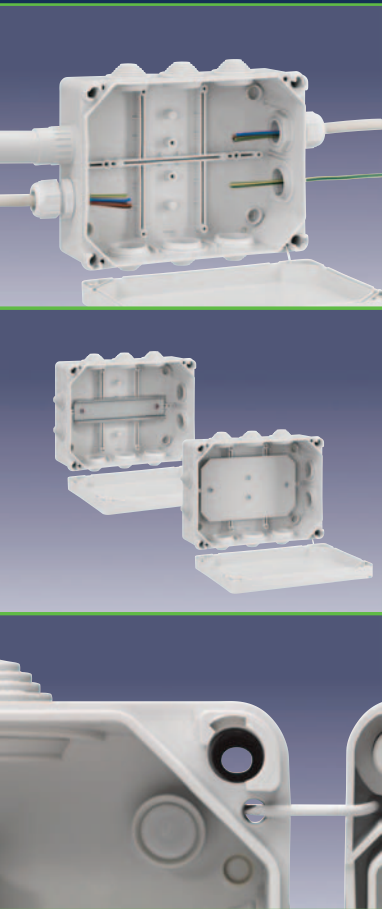
New: HP 150 and HP 190

4 back base holes for fixing to metal or other materials (HP 150 + HP 190) ▶

◀ Locking clip ensures lid cannot be lost



◀ Rear cable entry



Type	Order No.
HP 70 75x75x42 mm Interior dimensions: 68x68x38 mm	320 970 01
HP 80 85x85x42 mm Interior dimensions: 78x78x38 mm	322 980 01
HP 90 90x90x45 mm Interior dimensions: 82x82x38 mm	325 990 01
HP 100 113x113x58 mm Interior dimensions: 103,5x103,5x52 mm	326 900 01
HP 150 164x119x77 mm Interior dimensions: 155x110x70 mm	326 950 01
HP 190 199x149x77 mm Interior dimensions: 190x140x70 mm	326 990 01

HP Accessories:

Type	Order No.
Mounting rail for HP 150 NS 35 , 106 mm	198 106 01
NS 35 , 144 mm	198 144 01
Mounting rail for cable trays (van Geel / Stago) for HP 150 and HP 190 NS 35 , 126 mm	198 126 01
NS 35 , 171 mm	198 171 01

Type	Order No.
Mounting plate for HP 150 TK MPI-1309	195 009 01
Mounting plate for HP 190 TK MPI-1811	195 006 01
Mounting plate for HP 150+190 MPS-KRI	194 101 01

- ▲ Cables, extension
- ▲ connectors, screwed
- ▲ cable glands, conduits
- connectors or even individual conductors...

Stepped nipples can be cut to suit cable size ensure positive seal

- ▲ Fastening system
- ▲ integrated in the bottom suitable for TK mounting plates as well as mounting rails

- ▲ Condensation outlet



AKe Distribution boards

IP 55 - 400 /690 V

Suitable for the installation

- in damp and wet areas and rooms
- In buildings where there are crowds of people
- in temporary buildings, vehicles and caravans
- with conduits

AKe 24, 24 way units
250 x 370 x 122 mm*

NEW



Compact dimensions

* width, length, depth

AKe 03, 3 way units
100 x 150 x 96 mm*



AKe 12, 12 way units
250 x 200 x 122 mm*



AKe 05, 5 way units
125 x 200 x 122 mm*



AKe 36, 36 way units
300 x 600 x 142 mm*



AKe 09, 9 way units
200 x 200 x 122 mm*



Including stepped nipples for cable and conduit entry



- 3 - 36 way distribution units
- Includes PE/N terminals
- Can be combined with additional housings of the AK-system
- Simple combinations possible
- Individual transparent doors can be lead sealed, blanking off of individual rows



	Order No.
AKe 03	735 503 01
AKe 03-L*	735 603 01
AKe 05	735 505 01
AKe 05-L*	735 605 01
AKe 09	735 509 01
AKe 09-L*	735 609 01
AKe 12	735 512 01
AKe 12-L*	735 612 01
AKe 24	735 724 01
AKe 24-L*	735 824 01
AKe 36	735 536 01
AKe 36-L*	735 636 01

*without PE/N terminal

Günther Spelsberg GmbH + Co. KG

Im Gewerbepark 1
D-58579 Schalksmühle
T: +49 (0) 23 55 / 8 92-0
F: +49 (0) 23 55 / 8 92-299
info@spelsberg.de
www.spelsberg.com