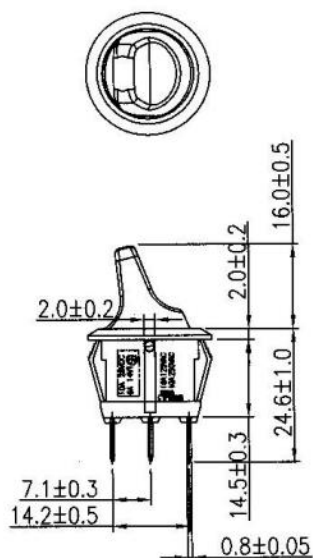


Datasheet

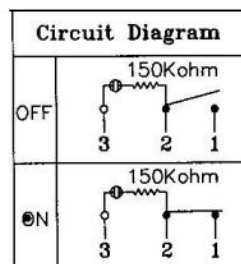
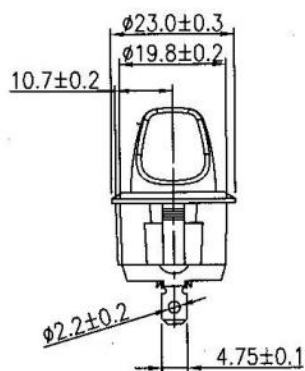
SPST Toggle Switch On-Off

RS Stock number [419-855](#)

Dimensions: (mm)



Material:
 Frame: Black, Nylon# 66
 Actuator: Green, PC
 Printed: None



Specifications

- Contact Resistance: 50m ohm Max
- Insulation Resistance: DC 500V 100M ohm Min
- Dielectric Strength: AC 1500V 1 Minute
- Operation Temperature: -20°C ~ 85 °C
- Switch Function: 3P SPST on-off (illuminated)