

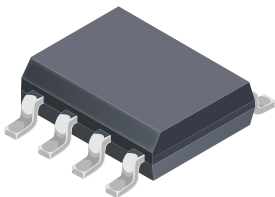
High Accuracy, Galvanically Isolated Current Sensor IC With Small Footprint SOIC8 Package

FEATURES AND BENEFITS

- Patented integrated digital temperature compensation circuitry allows for near closed loop accuracy over temperature in an open loop sensor
- UL60950-1 (ed. 2) certified
 - Dielectric Strength Voltage = 2.4 kVrms
 - Basic Isolation Working Voltage = 420 Vpk/297 Vrms
- Industry-leading noise performance with greatly improved bandwidth through proprietary amplifier and filter design techniques
- Pin-selectable band width: 80 kHz for high bandwidth applications or 20 kHz for low noise performance.
- 0.65 mΩ primary conductor resistance for low power loss and high inrush current withstand capability
- Small footprint, low-profile SOIC8 package suitable for space-constrained applications
- Integrated shield virtually eliminates capacitive coupling from current conductor to die, greatly suppressing output noise due to high dv/dt transients
- 4.5 to 5.5 V, single supply operation
- Output voltage proportional to AC or DC current
- Factory-trimmed sensitivity and quiescent output voltage

Continued on the next page...

Package: 8-pin SOIC (suffix LC)



Approximate Scale 1:1

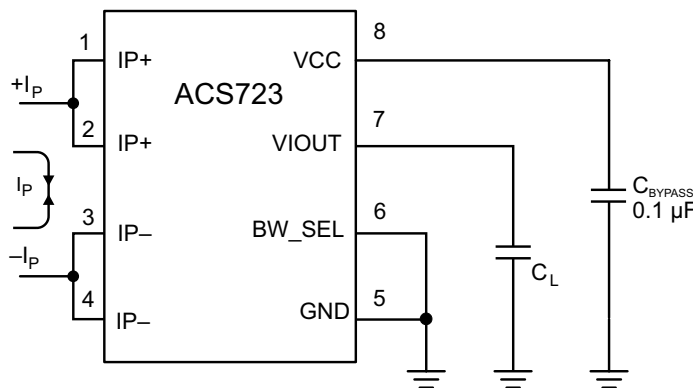
DESCRIPTION

The Allegro™ ACS723 current sensor IC is an economical and precise solution for AC or DC current sensing in industrial, commercial, and communications systems. The small package is ideal for space constrained applications while also saving costs due to reduced board area. Typical applications include motor control, load detection and management, switched-mode power supplies, and overcurrent fault protection.

The device consists of a precise, low-offset, linear Hall sensor circuit with a copper conduction path located near the surface of the die. Applied current flowing through this copper conduction path generates a magnetic field which is sensed by the integrated Hall IC and converted into a proportional voltage. Device accuracy is optimized through the close proximity of the magnetic field to the Hall transducer. A precise, proportional voltage is provided by the low-offset, chopper-stabilized BiCMOS Hall IC, which includes Allegro's patented digital temperature compensation, resulting in extremely accurate performance over temperature. The output of the device has a positive slope when an increasing current flows through the primary copper conduction path (from pins 1 and 2, to pins 3 and 4), which is the path used for current sensing. The internal resistance of this conductive path is 0.65 mΩ typical, providing low power loss.

The terminals of the conductive path are electrically isolated from the sensor leads (pins 5 through 8). This allows the ACS723 current sensor IC to be used in high-side current sense applications without the use of high-side differential amplifiers or other costly isolation techniques.

Continued on the next page...



Typical Application

The ACS723 outputs an analog signal, V_{IOUT} , that changes, proportionally, with the bidirectional AC or DC primary sensed current, I_P , within the specified measurement range. The BW_SEL pin can be used to select one of the two bandwidths to optimize the noise performance.

Features and Benefits (continued)

- for improved accuracy
- Chopper stabilization results in extremely stable quiescent output voltage
- Nearly zero magnetic hysteresis
- Ratiometric output from supply voltage

Description (continued)

The ACS723 is provided in a small, low profile surface mount SOIC8 package. The leadframe is plated with 100% matte tin, which is compatible with standard lead (Pb) free printed circuit board assembly processes. Internally, the device is Pb-free, except for flip-chip high-temperature Pb-based solder balls, currently exempt from RoHS. The device is fully calibrated prior to shipment from the factory.

Selection Guide

| Part Number | I_{PR} (A) | Sens(Typ) at $V_{CC} = 5.0$ V (mV/A) | T_A (°C) | Packing ¹ |
|---------------------------------|-----------------|--|---------------|-------------------------------------|
| ACS723LLCTR-05AB-T ² | ±5 | 400 | -40 to 150 | Tape and Reel, 3000 pieces per reel |
| ACS723LLCTR-10AU-T ² | 10 | | | |
| ACS723LLCTR-10AB-T ² | ±10 | 200 | | |
| ACS723LLCTR-20AU-T ² | 20 | | | |
| ACS723LLCTR-20AB-T ² | ±20 | 100 | | |
| ACS723LLCTR-40AU-T ² | 40 | | | |
| ACS723LLCTR-40AB-T ² | ±40 | | | |

¹Contact Allegro for additional packing options.

²Variant not intended for automotive applications.

SPECIFICATIONS

Absolute Maximum Ratings

| Characteristic | Symbol | Notes | Rating | Units |
|-------------------------------|-------------------|---------|------------|-------|
| Supply Voltage | V_{CC} | | 6 | V |
| Reverse Supply Voltage | V_{RCC} | | -0.1 | V |
| Output Voltage | V_{IOUT} | | 25 | V |
| Reverse Output Voltage | V_{RIOUT} | | -0.1 | V |
| Operating Ambient Temperature | T_A | Range L | -40 to 150 | °C |
| Junction Temperature | $T_J(\text{max})$ | | 165 | °C |
| Storage Temperature | T_{stg} | | -65 to 165 | °C |

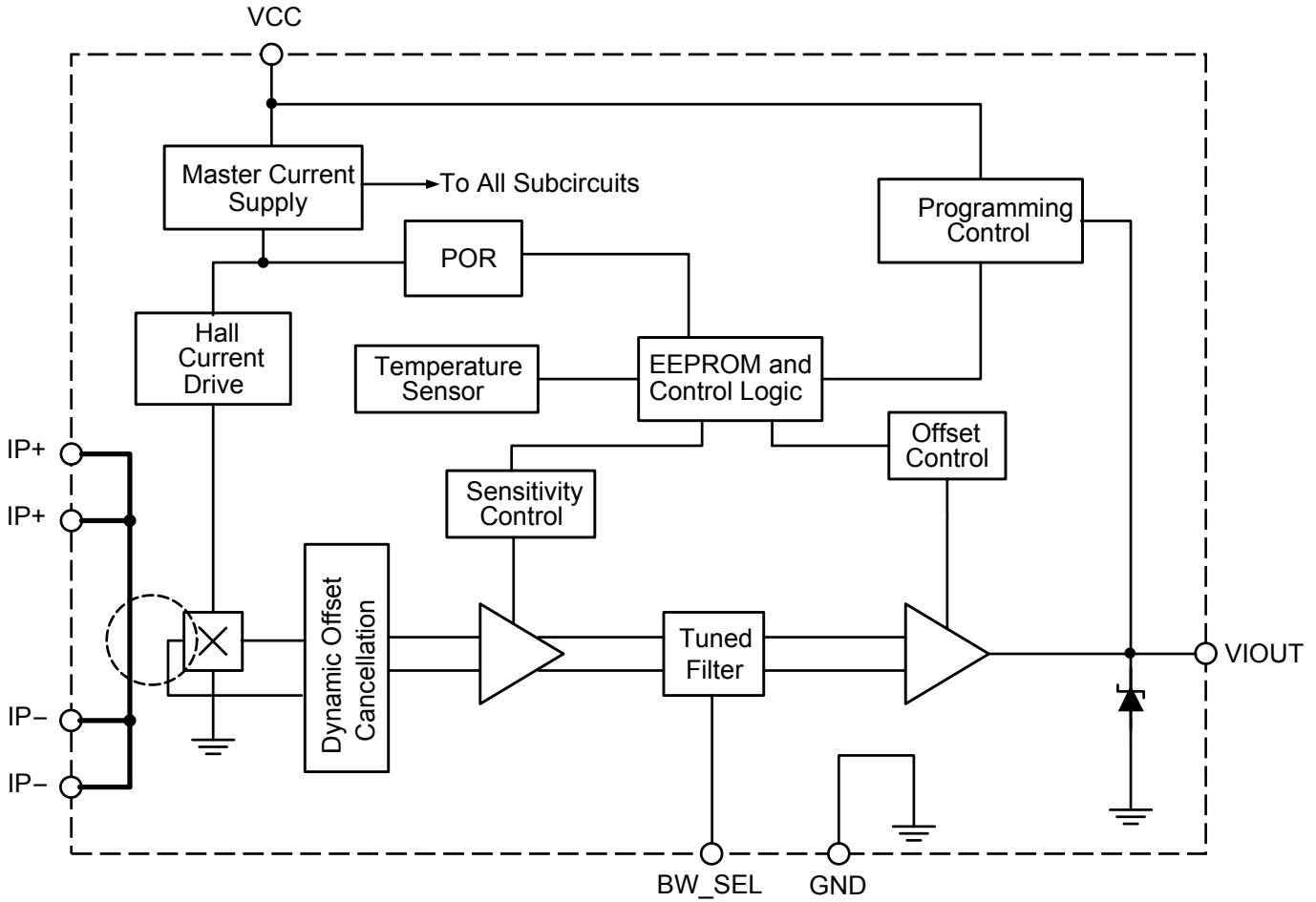
Isolation Characteristics

| Characteristic | Symbol | Notes | Rating | Unit |
|-------------------------------------|------------|--|--------|-----------------|
| Dielectric Strength Test Voltage | V_{ISO} | Agency type-tested for 60 seconds per UL 60950-1 (edition. 2). Production tested at VISO for 1 second, in accordance with UL 60950-1 (edition. 2). | 2400 | V_{RMS} |
| Working Voltage for Basic Isolation | V_{WVBI} | Maximum approved working voltage for basic (single) isolation according UL 60950-1 (edition 2). | 420 | V_{PK} or VDC |
| | | | 297 | V_{RMS} |
| Clearance | D_{cl} | Minimum distance through air from IP leads to signal leads. | 3.9 | mm |
| Creepage | D_{cr} | Minimum distance along package body from IP leads to signal leads. | 3.9 | mm |

Thermal Characteristics

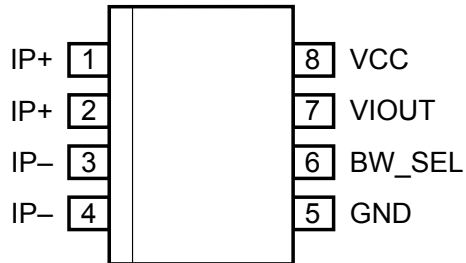
| Characteristic | Symbol | Test Conditions* | Value | Units |
|--|-----------------|--|-------|-------|
| Package Thermal Resistance (Junction to Ambient) | $R_{\theta JA}$ | Mounted on the Allegro 85-xxxx evaluation board with 1500 mm ² of 2 oz. copper on each side, connected to pins 1 and 2, and to pins 3 and 4, with thermal vias connecting the layers. Performance values include the power consumed by the PCB. | 23 | °C/W |
| Package Thermal Resistance (Junction to Lead) | $R_{\theta JL}$ | Mounted on the Allegro ASEK 723 evaluation board. | 5 | °C/W |

*Additional thermal information available on the Allegro website.



Functional Block Diagram

Pin-out Diagram and Terminal List



Pin-out Diagram

Terminal List Table

| Number | Name | Description |
|--------|--------|--|
| 1, 2 | IP+ | Terminals for current being sensed; fused internally |
| 3, 4 | IP- | Terminals for current being sensed; fused internally |
| 5 | GND | Signal ground terminal |
| 6 | BW_SEL | Terminal for selecting 20 kHz or 80 kHz bandwidth |
| 7 | VIOUT | Analog output signal |
| 8 | VCC | Device power supply terminal |

COMMON ELECTRICAL CHARACTERISTICS¹: Valid through the full range of $T_A = -40^{\circ}\text{C}$ to 150°C , and at $V_{CC} = 5.0\text{ V}$; unless otherwise specified

| Characteristic | Symbol | Test Conditions | Min. | Typ. | Max. | Units |
|---------------------------------|-----------------------|--|----------------|---------|------|---|
| Supply Voltage | V_{CC} | | 4.5 | 5 | 5.5 | V |
| Supply Current | I_{CC} | V_{CC} within $V_{CC}(\text{min})$ and $V_{CC}(\text{max})$ | – | 9 | 14 | mA |
| Output Capacitance Load | C_L | VIOOUT to GND | – | – | 10 | nF |
| Output Resistive Load | R_L | VIOOUT to GND | 4.7 | – | – | k Ω |
| Primary Conductor Resistance | R_{IP} | $T_A = 25^{\circ}\text{C}$ | – | 0.65 | – | m Ω |
| Rise Time | t_r | $I_P = I_P(\text{max})$, $T_A = 25^{\circ}\text{C}$, $C_L = 1\text{ nF}$, BW_SEL tied to GND | – | 4 | – | μs |
| | | $I_P = I_P(\text{max})$, $T_A = 25^{\circ}\text{C}$, $C_L = 1\text{ nF}$, BW_SEL tied to VCC | – | 17.5 | – | μs |
| Propagation Delay | t_{pd} | $I_P = I_P(\text{max})$, $T_A = 25^{\circ}\text{C}$, $C_L = 1\text{ nF}$, BW_SEL tied to GND | – | 1 | – | μs |
| | | $I_P = I_P(\text{max})$, $T_A = 25^{\circ}\text{C}$, $C_L = 1\text{ nF}$, BW_SEL tied to VCC | – | 5 | – | μs |
| Response Time | t_{RESPONSE} | $I_P = I_P(\text{max})$, $T_A = 25^{\circ}\text{C}$, $C_L = 1\text{ nF}$, BW_SEL tied to GND | – | 5 | – | μs |
| | | $I_P = I_P(\text{max})$, $T_A = 25^{\circ}\text{C}$, $C_L = 1\text{ nF}$, BW_SEL tied to VCC | – | 22.5 | – | μs |
| Internal Bandwidth | BW _i | Small signal –3 dB; $C_L = 1\text{ nF}$, BW_SEL tied to GND | – | 80 | – | kHz |
| | | Small signal –3 dB; $C_L = 1\text{ nF}$, BW_SEL tied to VCC | – | 20 | – | kHz |
| Noise Density | I_{ND} | Input referenced noise density; $T_A = 25^{\circ}\text{C}$, $C_L = 1\text{ nF}$ | – | 110 | – | $\mu\text{A}_{(\text{rms})}/\sqrt{\text{Hz}}$ |
| Noise | I_N | Input referenced noise; BW _i = 80 kHz, $T_A = 25^{\circ}\text{C}$, $C_L = 1\text{ nF}$ | – | 30 | – | $\text{mA}_{(\text{rms})}$ |
| | | Input referenced noise; BW _i = 20 kHz, $T_A = 25^{\circ}\text{C}$, $C_L = 1\text{ nF}$ | – | 15 | – | $\text{mA}_{(\text{rms})}$ |
| Nonlinearity | E_{LIN} | Through full range of I_{PR} | – | ± 1 | – | % |
| Saturation Voltage ² | V_{OH} | $R_L = 4.7\text{ k}\Omega$, $T_A = 25^{\circ}\text{C}$ | $V_{CC} - 0.5$ | – | – | V |
| | V_{OL} | $R_L = 4.7\text{ k}\Omega$, $T_A = 25^{\circ}\text{C}$ | – | – | 0.5 | V |
| Power-On Time | t_{PO} | Output reaches 90% of steady-state level, $T_A = 25^{\circ}\text{C}$, $I_P = I_{PR}(\text{max})$ applied | – | 64 | – | μs |

¹Device may be operated at higher primary current levels, I_P , ambient temperatures, T_A , and internal leadframe temperatures, provided the Maximum Junction Temperature, $T_J(\text{max})$, is not exceeded.

²The sensor IC will continue to respond to current beyond the range of I_P until the high or low saturation voltage; however, the nonlinearity in this region will be worse than through the rest of the measurement range.

xLLCTR-5AB PERFORMANCE CHARACTERISTICS: T_A Range L, valid at $T_A = -40^\circ\text{C}$ to 150°C , $V_{CC} = 5.0\text{ V}$, unless otherwise specified

| Characteristic | Symbol | Test Conditions | Min. | Typ. | Max. | Units |
|---------------------------------------|--------------------------|--|------|---------------------|------|-------|
| Nominal Performance | | | | | | |
| Current Sensing Range | I_{PR} | | -5 | - | 5 | A |
| Sensitivity | Sens | $I_{PR}(\text{min}) < I_P < I_{PR}(\text{max})$ | - | 400 | - | mV/A |
| Zero Current Output Voltage | $V_{IOUT(Q)}$ | Bidirectional; $I_P = 0\text{ A}$ | - | $V_{CC} \times 0.5$ | - | V |
| Accuracy Performance | | | | | | |
| Sensitivity Error | E_{sens} | $T_A = 25^\circ\text{C}$ to 150°C ; measured at $I_P = I_{PR}(\text{max})$ | -2 | - | 2 | % |
| | | $T_A = -40^\circ\text{C}$ to 25°C ; ; measured at $I_P = I_{PR}(\text{max})$ | - | ± 2.5 | - | % |
| Offset Voltage | V_{OE} | $I_P = 0\text{ A}$; $T_A = 25^\circ\text{C}$ to 150°C | -15 | - | 15 | mV |
| | | $I_P = 0\text{ A}$; $T_A = -40^\circ\text{C}$ to 25°C | - | ± 20 | - | mV |
| Total Output Error* | E_{TOT} | $I_P = I_{PR}(\text{max})$, $T_A = 25^\circ\text{C}$ to 150°C | -2.5 | - | 2.5 | % |
| | | $I_P = I_{PR}(\text{max})$, $T_A = -40^\circ\text{C}$ to 25°C | - | ± 3 | - | % |
| Lifetime Drift Characteristics | | | | | | |
| Sensitivity Error Lifetime Drift | $E_{\text{sens_drift}}$ | | - | ± 2 | - | % |
| Total Output Error Lifetime Drift | $E_{\text{tot_drift}}$ | | - | ± 2 | - | % |

*Percentage of I_P , with $I_P = I_{PR}(\text{max})$

xLLCTR-10AU PERFORMANCE CHARACTERISTICS, T_A Range L, valid at $T_A = -40^\circ\text{C}$ to 150°C , $V_{CC} = 5.0\text{ V}$, unless otherwise specified

| Characteristic | Symbol | Test Conditions | Min. | Typ. | Max. | Units |
|---------------------------------------|--------------------------|--|------|---------------------|------|-------|
| Nominal Performance | | | | | | |
| Current Sensing Range | I_{PR} | | 0 | – | 10 | A |
| Sensitivity | Sens | $I_{PR}(\text{min}) < I_P < I_{PR}(\text{max})$ | – | 400 | – | mV/A |
| Zero Current Output Voltage | $V_{IOUT(Q)}$ | Unidirectional; $I_P = 0\text{ A}$ | – | $V_{CC} \times 0.1$ | – | V |
| Accuracy Performance | | | | | | |
| Sensitivity Error | E_{sens} | $T_A = 25^\circ\text{C}$ to 150°C ; measured at $I_P = I_{PR}(\text{max})$ | –2 | – | 2 | % |
| | | $T_A = -40^\circ\text{C}$ to 25°C ; ; measured at $I_P = I_{PR}(\text{max})$ | – | ± 2.5 | – | % |
| Offset Voltage | V_{OE} | $I_P = 0\text{ A}$; $T_A = 25^\circ\text{C}$ to 150°C | –15 | – | 15 | mV |
| | | $I_P = 0\text{ A}$; $T_A = -40^\circ\text{C}$ to 25°C | – | ± 20 | – | mV |
| Total Output Error* | E_{TOT} | $I_P = I_{PR}(\text{max})$, $T_A = 25^\circ\text{C}$ to 150°C | –2.5 | – | 2.5 | % |
| | | $I_P = I_{PR}(\text{max})$, $T_A = -40^\circ\text{C}$ to 25°C | – | ± 3 | – | % |
| Lifetime Drift Characteristics | | | | | | |
| Sensitivity Error Lifetime Drift | $E_{\text{sens_drift}}$ | | – | ± 2 | – | % |
| Total Output Error Lifetime Drift | $E_{\text{tot_drift}}$ | | – | ± 2 | – | % |

*Percentage of I_P , with $I_P = I_{PR}(\text{max})$

xLLCTR-10AB PERFORMANCE CHARACTERISTICS: T_A Range L, valid at $T_A = -40^\circ\text{C}$ to 150°C , $V_{CC} = 5.0\text{ V}$, unless otherwise specified

| Characteristic | Symbol | Test Conditions | Min. | Typ. | Max. | Units |
|---------------------------------------|--------------------------|--|------|---------------------|------|-------|
| Nominal Performance | | | | | | |
| Current Sensing Range | I_{PR} | | –10 | – | 10 | A |
| Sensitivity | Sens | $I_{PR}(\text{min}) < I_P < I_{PR}(\text{max})$ | – | 200 | – | mV/A |
| Zero Current Output Voltage | $V_{IOUT(Q)}$ | Bidirectional; $I_P = 0\text{ A}$ | – | $V_{CC} \times 0.5$ | – | V |
| Accuracy Performance | | | | | | |
| Sensitivity Error | E_{sens} | $T_A = 25^\circ\text{C}$ to 150°C ; measured at $I_P = I_{PR}(\text{max})$ | –1.5 | – | 1.5 | % |
| | | $T_A = -40^\circ\text{C}$ to 25°C ; ; measured at $I_P = I_{PR}(\text{max})$ | – | ± 2 | – | % |
| Offset Voltage | V_{OE} | $I_P = 0\text{ A}$; $T_A = 25^\circ\text{C}$ to 150°C | –10 | – | 10 | mV |
| | | $I_P = 0\text{ A}$; $T_A = -40^\circ\text{C}$ to 25°C | – | ± 15 | – | mV |
| Total Output Error* | E_{TOT} | $I_P = I_{PR}(\text{max})$, $T_A = 25^\circ\text{C}$ to 150°C | –2 | – | 2 | % |
| | | $I_P = I_{PR}(\text{max})$, $T_A = -40^\circ\text{C}$ to 25°C | – | ± 3 | – | % |
| Lifetime Drift Characteristics | | | | | | |
| Sensitivity Error Lifetime Drift | $E_{\text{sens_drift}}$ | | – | ± 2 | – | % |
| Total Output Error Lifetime Drift | $E_{\text{tot_drift}}$ | | – | ± 2 | – | % |

*Percentage of I_P , with $I_P = I_{PR}(\text{max})$

xLLCTR-20AU PERFORMANCE CHARACTERISTICS: T_A Range L, valid at T_A = -40°C to 150°C, V_{CC} = 5.0 V, unless otherwise specified

| Characteristic | Symbol | Test Conditions | Min. | Typ. | Max. | Units |
|---------------------------------------|-------------------------|--|------|-----------------------|------|-------|
| Nominal Performance | | | | | | |
| Current Sensing Range | I _{PR} | | 0 | – | 20 | A |
| Sensitivity | Sens | I _{PR} (min) < I _P < I _{PR} (max) | – | 200 | – | mV/A |
| Zero Current Output Voltage | V _{IOUT(Q)} | Unidirectional; I _P = 0 A | – | V _{CC} × 0.1 | – | V |
| Accuracy Performance | | | | | | |
| Sensitivity Error | E _{sens} | T _A = 25°C to 150°C; measured at I _P = I _{PR} (max) | -1.5 | – | 1.5 | % |
| | | T _A = -40°C to 25°C; ; measured at I _P = I _{PR} (max) | – | ±2 | – | % |
| Offset Voltage | V _{OE} | I _P = 0 A; T _A = 25°C to 150°C | -10 | – | 10 | mV |
| | | I _P = 0 A; T _A = -40°C to 25°C | – | ±15 | – | mV |
| Total Output Error* | E _{TOT} | I _P = I _{PR} (max), T _A = 25°C to 150°C | -2 | – | 2 | % |
| | | I _P = I _{PR} (max), T _A = -40°C to 25°C | – | ±3 | – | % |
| Lifetime Drift Characteristics | | | | | | |
| Sensitivity Error Lifetime Drift | E _{sens_drift} | | – | ±2 | – | % |
| Total Output Error Lifetime Drift | E _{tot_drift} | | – | ±2 | – | % |

*Percentage of I_P, with I_P = I_{PR}(max)

xLLCTR-20AB PERFORMANCE CHARACTERISTICS: T_A Range L, valid at T_A = -40°C to 150°C, V_{CC} = 5.0 V, unless otherwise specified

| Characteristic | Symbol | Test Conditions | Min. | Typ. | Max. | Units |
|---------------------------------------|-------------------------|--|------|-----------------------|------|-------|
| Nominal Performance | | | | | | |
| Current Sensing Range | I _{PR} | | -20 | – | 20 | A |
| Sensitivity | Sens | I _{PR} (min) < I _P < I _{PR} (max) | – | 100 | – | mV/A |
| Zero Current Output Voltage | V _{IOUT(Q)} | Bidirectional; I _P = 0 A | – | V _{CC} × 0.5 | – | V |
| Accuracy Performance | | | | | | |
| Sensitivity Error | E _{sens} | T _A = 25°C to 150°C; measured at I _P = I _{PR} (max) | -1.5 | – | 1.5 | % |
| | | T _A = -40°C to 25°C; ; measured at I _P = I _{PR} (max) | – | ±2 | – | % |
| Offset Voltage | V _{OE} | I _P = 0 A; T _A = 25°C to 150°C | -10 | – | 10 | mV |
| | | I _P = 0 A; T _A = -40°C to 25°C | – | ±15 | – | mV |
| Total Output Error* | E _{TOT} | I _P = I _{PR} (max), T _A = 25°C to 150°C | -2 | – | 2 | % |
| | | I _P = I _{PR} (max), T _A = -40°C to 25°C | – | ±3 | – | % |
| Lifetime Drift Characteristics | | | | | | |
| Sensitivity Error Lifetime Drift | E _{sens_drift} | | – | ±2 | – | % |
| Total Output Error Lifetime Drift | E _{tot_drift} | | – | ±2 | – | % |

*Percentage of I_P, with I_P = I_{PR}(max)

xLLCTR-40AU PERFORMANCE CHARACTERISTICS: T_A Range L, valid at $T_A = -40^\circ\text{C}$ to 150°C , $V_{CC} = 5.0\text{ V}$, unless otherwise specified

| Characteristic | Symbol | Test Conditions | Min. | Typ. | Max. | Units |
|---------------------------------------|--------------------------|--|------|---------------------|------|-------|
| Nominal Performance | | | | | | |
| Current Sensing Range | I_{PR} | | 0 | – | 40 | A |
| Sensitivity | Sens | $I_{PR}(\text{min}) < I_P < I_{PR}(\text{max})$ | – | 100 | – | mV/A |
| Zero Current Output Voltage | $V_{IOUT(Q)}$ | Unidirectional; $I_P = 0\text{ A}$ | – | $V_{CC} \times 0.1$ | – | V |
| Accuracy Performance | | | | | | |
| Sensitivity Error | E_{sens} | $T_A = 25^\circ\text{C}$ to 150°C ; measured at $I_P = I_{PR}(\text{max})$ | –1.5 | – | 1.5 | % |
| | | $T_A = -40^\circ\text{C}$ to 25°C ; ; measured at $I_P = I_{PR}(\text{max})$ | – | ± 2 | – | % |
| Offset Voltage | V_{OE} | $I_P = 0\text{ A}$; $T_A = 25^\circ\text{C}$ to 150°C | –10 | – | 10 | mV |
| | | $I_P = 0\text{ A}$; $T_A = -40^\circ\text{C}$ to 25°C | – | ± 15 | – | mV |
| Total Output Error* | E_{TOT} | $I_P = I_{PR}(\text{max})$, $T_A = 25^\circ\text{C}$ to 150°C | –2 | – | 2 | % |
| | | $I_P = I_{PR}(\text{max})$, $T_A = -40^\circ\text{C}$ to 25°C | – | ± 3 | – | % |
| Lifetime Drift Characteristics | | | | | | |
| Sensitivity Error Lifetime Drift | $E_{\text{sens_drift}}$ | | – | ± 2 | – | % |
| Total Output Error Lifetime Drift | $E_{\text{tot_drift}}$ | | – | ± 2 | – | % |

*Percentage of I_P , with $I_P = I_{PR}(\text{max})$

xLLCTR-40AB PERFORMANCE CHARACTERISTICS: T_A Range L, valid at $T_A = -40^\circ\text{C}$ to 150°C , $V_{CC} = 5.0\text{ V}$, unless otherwise specified

| Characteristic | Symbol | Test Conditions | Min. | Typ. | Max. | Units |
|---------------------------------------|--------------------------|--|------|---------------------|------|-------|
| Nominal Performance | | | | | | |
| Current Sensing Range | I_{PR} | | –40 | – | 40 | A |
| Sensitivity | Sens | $I_{PR}(\text{min}) < I_P < I_{PR}(\text{max})$ | – | 50 | – | mV/A |
| Zero Current Output Voltage | $V_{IOUT(Q)}$ | Bidirectional; $I_P = 0\text{ A}$ | – | $V_{CC} \times 0.5$ | – | V |
| Accuracy Performance | | | | | | |
| Sensitivity Error | E_{sens} | $T_A = 25^\circ\text{C}$ to 150°C ; measured at $I_P = I_{PR}(\text{max})$ | –1.5 | – | 1.5 | % |
| | | $T_A = -40^\circ\text{C}$ to 25°C ; ; measured at $I_P = I_{PR}(\text{max})$ | – | ± 2 | – | % |
| Offset Voltage | V_{OE} | $I_P = 0\text{ A}$; $T_A = 25^\circ\text{C}$ to 150°C | –10 | – | 10 | mV |
| | | $I_P = 0\text{ A}$; $T_A = -40^\circ\text{C}$ to 25°C | – | ± 15 | – | mV |
| Total Output Error* | E_{TOT} | $I_P = I_{PR}(\text{max})$, $T_A = 25^\circ\text{C}$ to 150°C | –2 | – | 2 | % |
| | | $I_P = I_{PR}(\text{max})$, $T_A = -40^\circ\text{C}$ to 25°C | – | ± 3 | – | % |
| Lifetime Drift Characteristics | | | | | | |
| Sensitivity Error Lifetime Drift | $E_{\text{sens_drift}}$ | | – | ± 2 | – | % |
| Total Output Error Lifetime Drift | $E_{\text{tot_drift}}$ | | – | ± 2 | – | % |

*Percentage of I_P , with $I_P = I_{PR}(\text{max})$

DEFINITIONS OF ACCURACY CHARACTERISTICS

Sensitivity (Sens). The change in sensor IC output in response to a 1 A change through the primary conductor. The sensitivity is the product of the magnetic circuit sensitivity (G/A) (1 G = 0.1 mT) and the linear IC amplifier gain (mV/G). The linear IC amplifier gain is programmed at the factory to optimize the sensitivity (mV/A) for the full-scale current of the device.

Nonlinearity (E_{LIN}). The nonlinearity is a measure of how linear the output of the sensor IC is over the full current measurement range. The nonlinearity is calculated as:

$$E_{LIN} = \left\{ 1 - \left[\frac{V_{IOUT}(I_{PR(max)}) - V_{IOUT(Q)}}{2 \times V_{IOUT}(I_{PR(max)/2}) - V_{IOUT(Q)}} \right] \right\} \times 100 (\%)$$

where $V_{IOUT}(I_{PR(max)})$ is the output of the sensor IC with the maximum measurement current flowing through it and $V_{IOUT}(I_{PR(max)/2})$ is the output of the sensor IC with half of the maximum measurement current flowing through it.

Zero Current Output Voltage ($V_{IOUT(Q)}$). The output of the sensor when the primary current is zero. For a unipolar supply voltage, it nominally remains at $0.5 \times V_{CC}$ for a bidirectional device and $0.1 \times V_{CC}$ for a unidirectional device. For example, in the case of a bidirectional output device, $V_{CC} = 5.0$ V translates into $V_{IOUT(Q)} = 2.5$ V. Variation in $V_{IOUT(Q)}$ can be attributed to the resolution of the Allegro linear IC quiescent voltage trim and thermal drift.

Offset Voltage (V_{OE}). The deviation of the device output from its ideal quiescent value of $0.5 \times V_{CC}$ (bidirectional) or $0.1 \times V_{CC}$ (unidirectional) due to nonmagnetic causes. To convert this voltage to amperes, divide by the device sensitivity, Sens.

Total Output Error (E_{TOT}). The difference between the current measurement from the sensor IC and the actual current (I_P), relative to the actual current. This is equivalent to the difference between the ideal output voltage and the actual output voltage, divided by the ideal sensitivity, relative to the current flowing through the primary conduction path:

$$E_{TOT}(I_P) = \frac{V_{IOUT_ideal}(I_P) - V_{IOUT}(I_P)}{Sens_{ideal}(I_P) \times I_P} \times 100 (\%)$$

The Total Output Error incorporates all sources of error and is a function of I_P . At relatively high currents, E_{TOT} will be mostly due to sensitivity error, and at relatively low currents, E_{TOT} will be mostly due to Offset Voltage (V_{OE}). In fact, at $I_P = 0$, E_{TOT} approaches infinity due to the offset. This is illustrated in figures 1 and 2. Figure 1 shows a distribution of output voltages versus I_P at 25°C and across temperature. Figure 2 shows the corresponding E_{TOT} versus I_P .

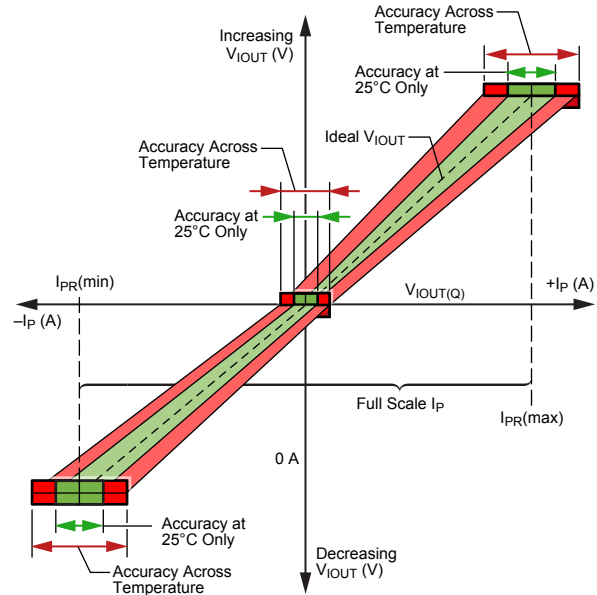


Figure 1. Output voltage versus sensed current

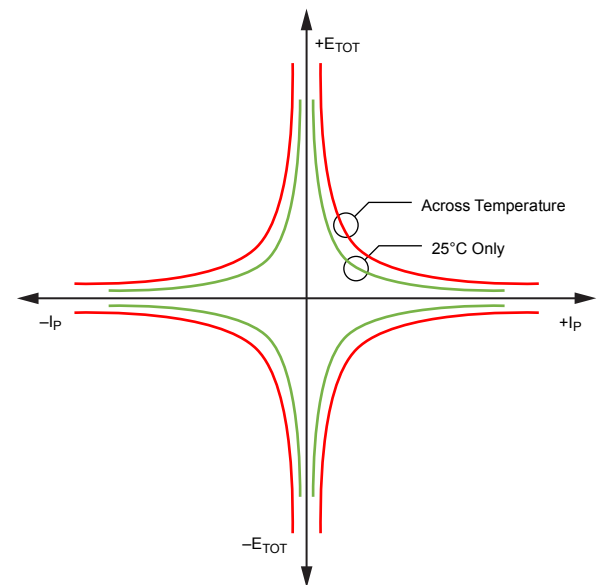


Figure 2. Total Output Error versus sensed current

DEFINITIONS OF DYNAMIC RESPONSE CHARACTERISTICS

Power-On Time (t_{PO}). When the supply is ramped to its operating voltage, the device requires a finite time to power its internal components before responding to an input magnetic field. Power-On Time, t_{PO} , is defined as the time it takes for the output voltage to settle within $\pm 10\%$ of its steady state value under an applied magnetic field, after the power supply has reached its minimum specified operating voltage, $V_{CC(min)}$, as shown in the chart at right.

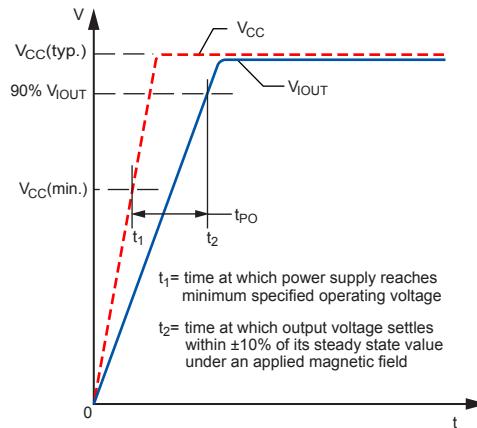


Figure 3: Power-On Time (t_{PO})

Rise Time (t_r). The time interval between a) when the sensor IC reaches 10% of its full scale value, and b) when it reaches 90% of its full scale value. The rise time to a step response is used to derive the bandwidth of the current sensor IC, in which $f(-3 \text{ dB}) = 0.35/t_r$. Both t_r and $t_{RESPONSE}$ are detrimentally affected by eddy current losses observed in the conductive IC ground plane.

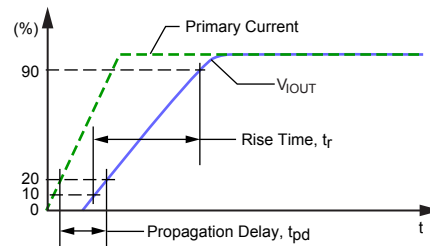


Figure 4: Rise Time (t_r) and Propagation Delay (t_{pd})

Propagation Delay (t_{pd}). The propagation delay is measured as the time interval a) when the primary current signal reaches 20% of its final value, and b) when the device reaches 20% of its output corresponding to the applied current.

Response Time ($t_{RESPONSE}$). The time interval between a) when the primary current signal reaches 90% of its final value, and b) when the device reaches 90% of its output corresponding to the applied current.

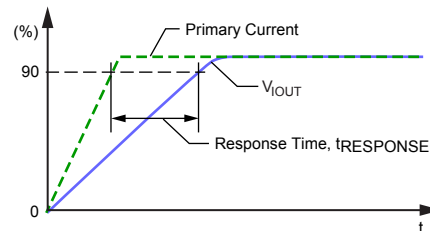


Figure 5: Response Time ($t_{RESPONSE}$)

Package Outline Drawing

For Reference Only – Not for Tooling Use

(Reference MS-012AA)

Dimensions in millimeters – NOT TO SCALE

Dimensions exclusive of mold flash, gate burrs, and dambar protrusions
Exact case and lead configuration at supplier discretion within limits shown

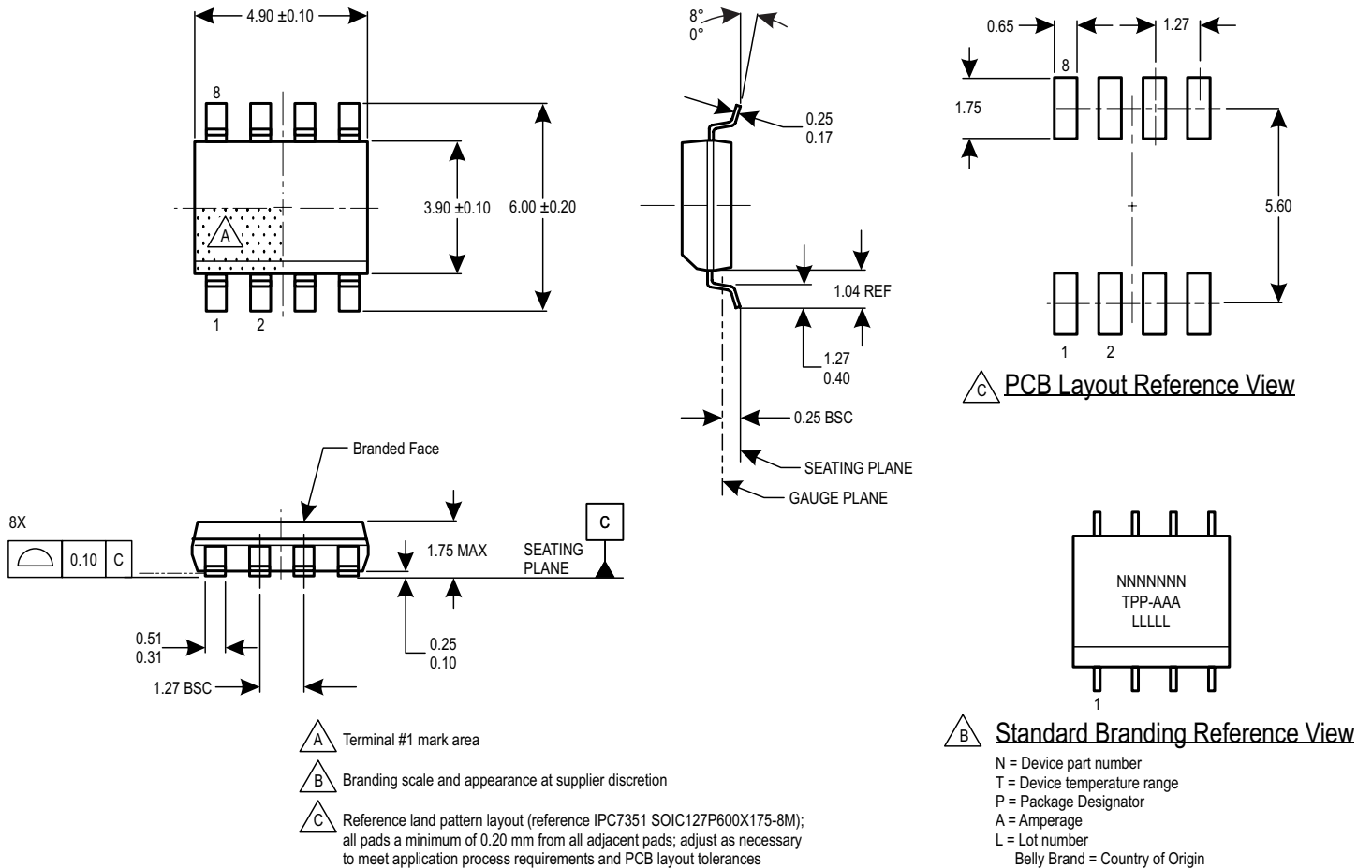


Figure 6: Package LC, 8-pin SOICN

Revision History

| Revision | Revision Date | Description of Revision |
|----------|---------------|-------------------------|
| - | June 10, 2014 | Initial release. |

Copyright ©2011-2014, Allegro MicroSystems, LLC

Allegro MicroSystems, LLC reserves the right to make, from time to time, such departures from the detail specifications as may be required to permit improvements in the performance, reliability, or manufacturability of its products. Before placing an order, the user is cautioned to verify that the information being relied upon is current.

Allegro's products are not to be used in any devices or systems, including but not limited to life support devices or systems, in which a failure of Allegro's product can reasonably be expected to cause bodily harm.

The information included herein is believed to be accurate and reliable. However, Allegro MicroSystems, LLC assumes no responsibility for its use; nor for any infringement of patents or other rights of third parties which may result from its use.

For the latest version of this document, visit our website:

www.allegromicro.com

