

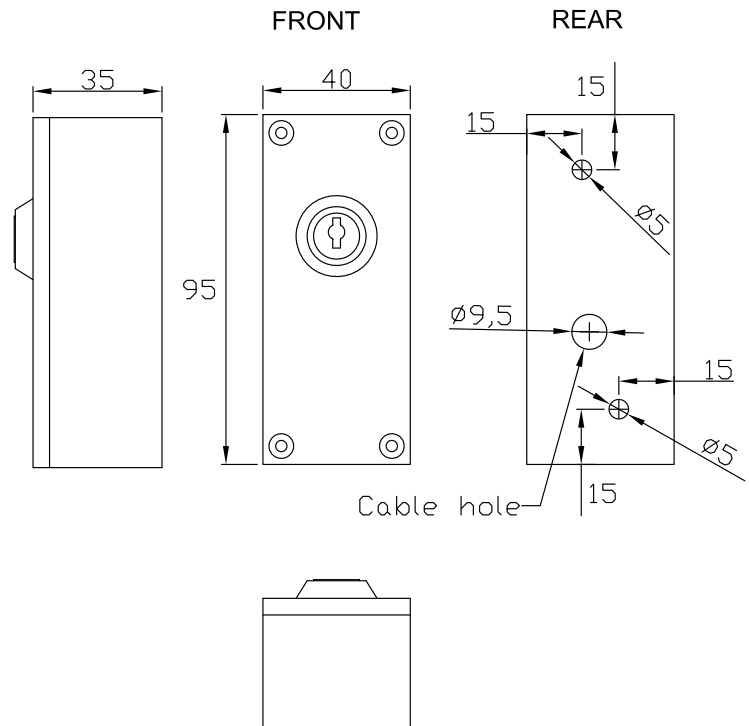


ENGLISH

Datasheet

Stock No: 9182690

RS Pro Surface mount key arm/disarm switch 180° rotation



Specifications

- Double pole changeover contacts
- Reed based magnetic interference protection
- 2 keys, keyed to differ
- Maximum switching voltage 50 VAC/ DC
- Maximum switching current 0.5 Amps
- Carry current Max 0.8 Amp
- Maximum power 10 W/VA
- Insulation resistance 100 MOhms
- Contact resistance 120 mOhms
- 180° key rotation
- Operating temperature -40° to +85° Celsius
- Aluminium housing material
- All metal lock mechanism