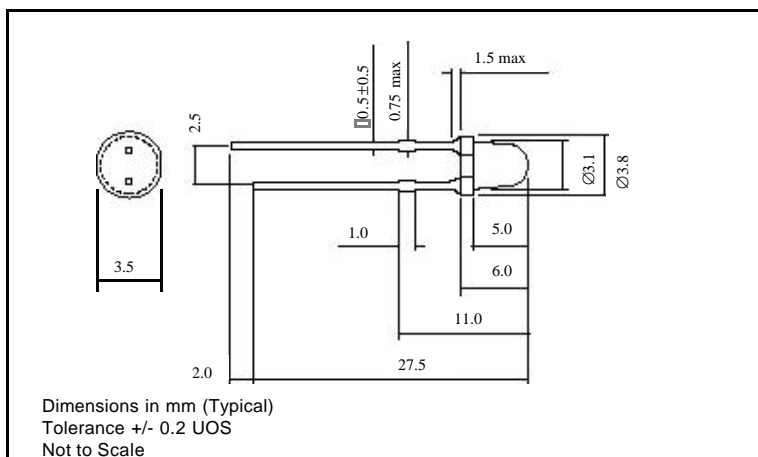
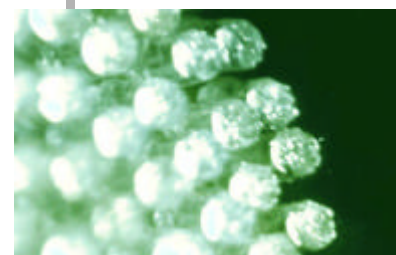


DISCRETE LEDs - Ø 3mm Green



- High Intensity
- Also available as a 5mm device
- Solid state reliability
- Can be supplied in bulb replacement and panel mounting formats



100047 SERIES

MLQ = 50

Ordering Information & Typical Technical Characteristics (Ta = 25°C)
Mean Time Between Failure = 100,000 Hours. * Duty Cycle <= 1/10, Pulse Width <= 10msec

PART NUMBER	COLOUR	TYP. FWD VOLTAGE V _f @ I _{opr}	MAX FWD VOLTAGE V _f @ I _{opr}	FORWARD CURRENT I _{opr}	MAX REV CURRENT I _r (V _r =5V)	LUMINOUS INTENSITY I _v @I _{opr}	CHROMATICITY COORDINATES	VIEWING ANGLE 2θ ^{1/2}
-------------	--------	---	--	-------------------------------------	--	--	--------------------------	------------------------------------

OPTICAL / ELECTRICAL CHARACTERISTICS (Ta = 25°C)

100047	Green	3.5	4.0	20	50	6800	0.17 / 0.7	15
UNITS	Water Clear	V	V	mA	µA	mcd	x / y	deg

PART NUMBER	COLOUR	FORWARD CURRENT I _{opr} max	PEAK FWD CURRENT I _{fp} *	REVERSE VOLTAGE V _r max	POWER DISSIPATION P _d max	PEAK WAVELENGTH Typ. λ _p	OPERATING TEMP T _{opr}	STORAGE TEMP T _{stg}
-------------	--------	---	---------------------------------------	---------------------------------------	---	--	------------------------------------	----------------------------------

ABSOLUTE MAXIMUM RATINGS (Ta = 25°C)

100047	Green	30	100	5	120	525	-30 to +85	-40 to +100
UNITS	Water Clear	mA	mA	Vdc	mW	nm	°C	°C

PRECAUTIONS FOR HANDLING ELECTROSTATIC SENSITIVE LEDs

Static Electricity and Surge

Static electricity and surge will damage the LED and a high standard of care must be taken during handling. It is recommended that a wristband, conductive mat or anti-electrostatic glove is used when handling the LEDs. All devices, equipment (e.g. soldering iron points) and machinery must be properly grounded.

SAFETY PRECAUTIONS FOR HANDLING HIGH BRIGHTNESS LEDs

The light output of the Products may cause injuries to human eyes in circumstances where they are viewed directly with unshielded eyes for more than a few seconds.

Please refer to European Standard BSEN 100015-1 1992 for further information.

© Marl Optosource 2000