

Surface Mount Fuse Pulse Tolerant

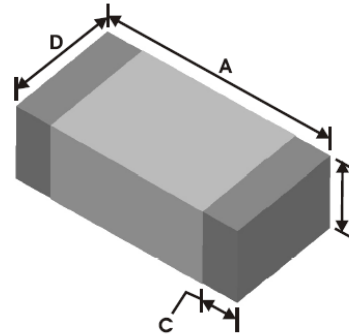
PRODUCT: 0603SFP Family

DOCUMENT: SCD27576
REV LETTER: C
REV DATE: MAY 23, 2012
PAGE NO.: 1 OF 3

Specification Status: Released

Max Electrical Rating at 25°C

Max Voltage: 32V_{DC}
Max Interrupt Current:
1~5A, 50A at Rated Voltage
6A, 70A at Rated Voltage



Termination Material: Silver, Nickel, Tin

Fuse Element: Silver

Body Material: Glass Ceramic

Clear Time Characteristics

% of current rating	Clear time at 25°C	
	Min.	Max.
100%	4 hours	
200%	1 sec	60 sec
1000%	0.0002 sec	0.02 sec

Dimensions

	A		B		C		D	
	MIN	MAX	MIN	MAX	MIN	MAX	MIN	MAX
mm:	1.45	1.75	0.65	0.95	0.21	0.51	0.65	0.95
in:	0.057	0.069	0.026	0.037	0.008	0.020	0.026	0.037

Part Number	Current Rating (A)	Voltage Rating (VDC)	Nominal Cold DCR (Ω)*	Nominal I ² t (A ² s)
0603SFP100F/32	1.0	32	0.210	0.08
0603SFP150F/32	1.5	32	0.101	0.11
0603SFP200F/32	2.0	32	0.057	0.24
0603SFP250F/32	2.5	32	0.042	0.56
0603SFP300F/32	3.0	32	0.030	0.72
0603SFP350F/32	3.5	32	0.022	1.10
0603SFP400F/32	4.0	32	0.018	2.08
0603SFP450F/32	4.5	32	0.014	2.63
0603SFP500F/32	5.0	32	0.013	3.25
0603SFP600F/32	6.0	32	0.010	4.00

* Measured at 10% of rated current and 25°C

Agency Recognition: UL E197536
Precedence: This specification takes precedence over documents referenced herein.
Effectivity: Reference documents shall be the issue in effect on the date of invitation for bid.

Materials Information

ROHS Compliant

ELV Compliant

Halogen Free*

Directive 2002/95/EC
Compliant

Directive 2000/53/EC
Compliant



* Halogen Free refers to: Br≤900ppm, Cl≤900ppm, Br+Cl≤1500ppm

Surface Mount Fuse Pulse Tolerant

Nominal I^2t vs t Curves

