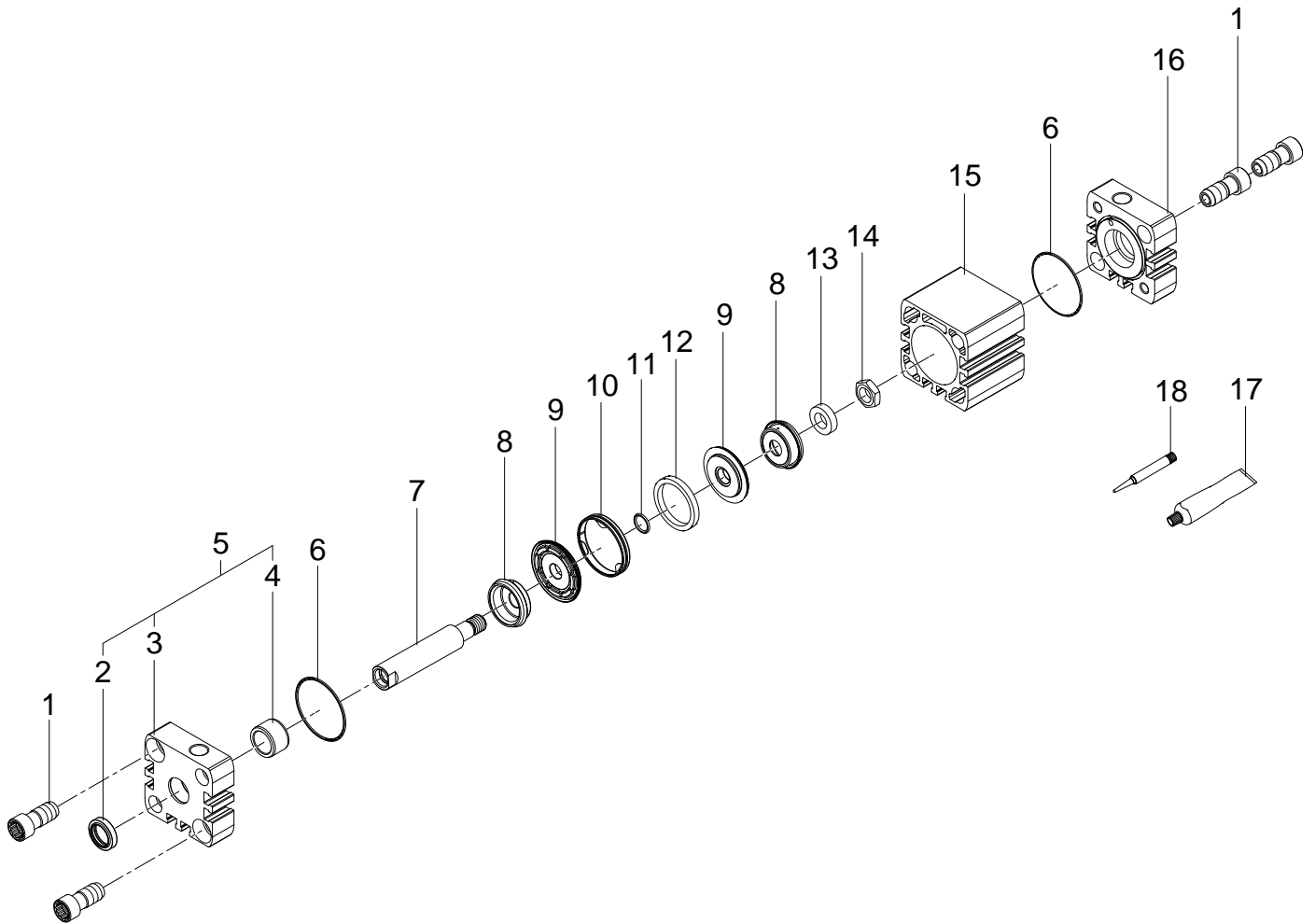


572664 ADN-40-10-I-PPS-A Compact cylinder - Series: All



## 572664 ADN-40-10-I-PPS-A Compact cylinder - Series: All

Pos.	Part no.	Type	Note	Qty.	Unit
A	673624	ADN-40-P-A Set of wearing parts	Spare parts: 2, 6, 9, 10, 11, 17, 18 Attention, please order position 8 as well centering tool will be required PN 1437387 <a href="#">🔗 Replacing the wearing parts</a>	1	PC
1	658856	ADN-32/40 flange screw	Tightening torque 27 Nm / 19.9 lbf ft Use locking compound. See position 18	4	PC
2	359749	WIFC1-12X16,5X4-TPE-U Wiper seal	Grease using during assembly. See position 17	1	PC
3		ADN-40 Bearing cap	Not available separately, see position 5	1	PC
4		ADN-32/40 Bearing	Not available separately, see position 5	1	PC
5	1438146	ADN-40 Bearing cap module		1	PC
6		B-40X1,2-N-NBR75 O-ring ISO3601	Not available separately, see position A Grease using during assembly. See position 17	2	PC
7	683596	ADN-40- - Piston rod	When ordering please specify the configuration (see type plate)	1	PC
8	1280390	ADN-40-PPS Buffer sleeve	centering tool will be required PN 1437387 Grease using during assembly. See position 17	2	PC
9		BA-K01D-040 Piston module	Not available separately, see position A Grease using during assembly. See position 17	1	PC
10		BA-K01F-040 Guiding band	Not available separately, see position A Grease using during assembly. See position 17	1	PC
11		B-9,5X1,5-N-NBR70 O-ring ISO3601	Not available separately, see position A Grease using during assembly. See position 17	1	PC
12	675529	36,9X30,4X4BA-K01M-040LP Ring magnet		1	PC
13	356369	11 X 16 X 4 Ring		1	PC
14	211437	DIN 439-B-M10X1,25-04 Hex nut	Tightening torque 13.5 Nm / 10.0 lbf ft Use locking compound Loctite 270	1	PC
15		ADN-40-X- Cylinder barrel	Not available Grease using during assembly. See position 17	1	PC
16	1305963	ADN-40 End cap		1	PC
17	684474	LUB-KC1 SILIKONFREI 20ML Lubricating grease		1	PC
18	8181256	CYBERBOND TM44 TB1ML Adhesive bonding agent		1	PC