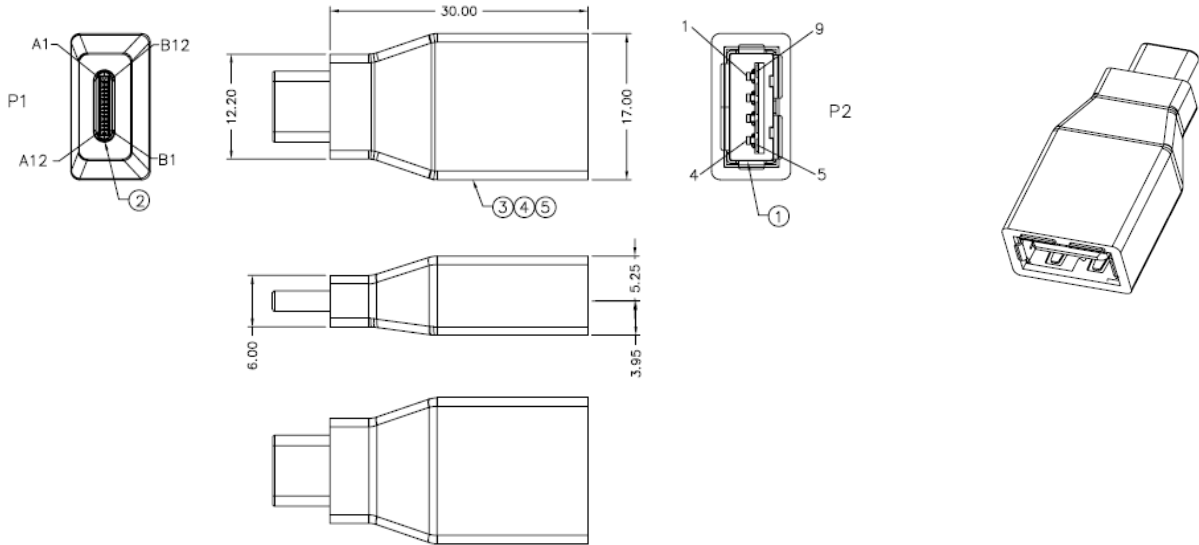


# Datasheet

## USB 3.0 A Female TO C Male ADAPTER

RS Stock number 895-0528

Unit: mm



5	OVER MOLD	PVC 70Pa BLACK	
4	INNER MOLD	LD-PE	
3	PCB	USB C MALE TO A/F PCBA	
2	CONNECTOR 2	USB3.1 C TYPE MALE PIN G/F,SHELL PLATED NICKEL	
1	CONNECTOR 1	USB3.1 A TYPE FEMALE PIN G/F,SHELL PLATED NICKEL	
NO.	PART NAME	SPEC DESCRIPTION	REMAKE

**ELECTRICAL CHARACTER:**

- 1.100% OPEN&SHORT TEST
- 2.HI-POT:DC300V 10ms
- 3.Insulation Resistance:5M OHM MIN
- 4.Contact Resistance: 2.0 OHM MAX

**PIN ASSIGNMENT:**

