

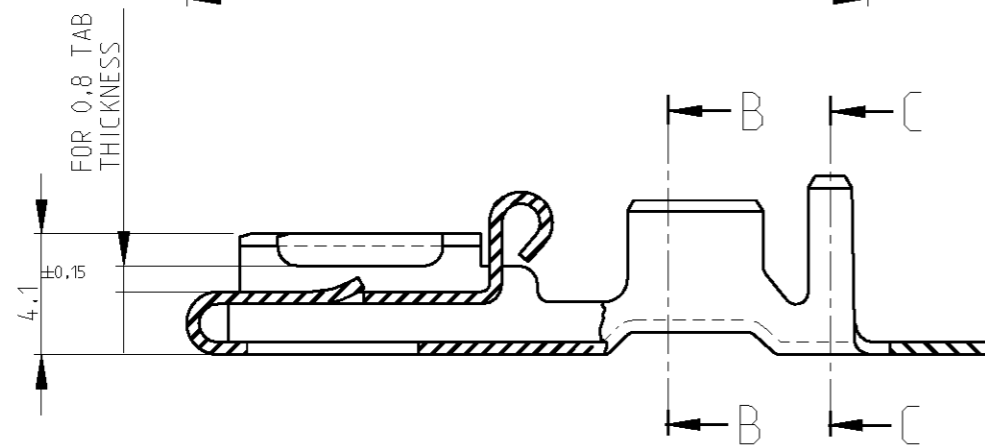
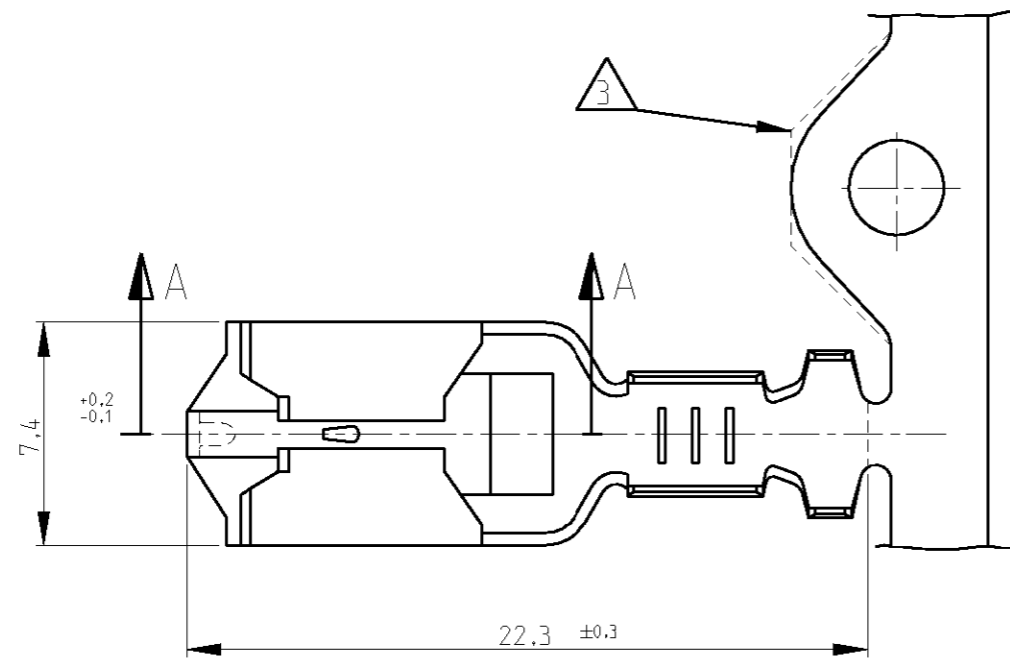
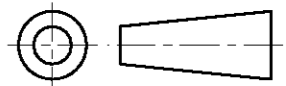
DO NOT SCALE

DIMENSIONS IN mm

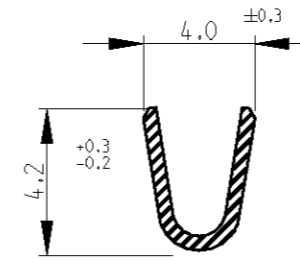
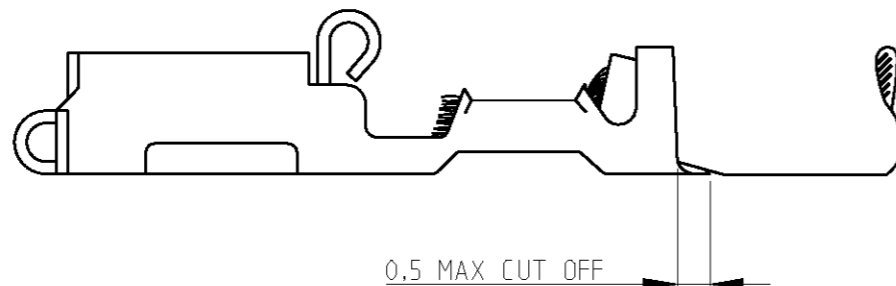
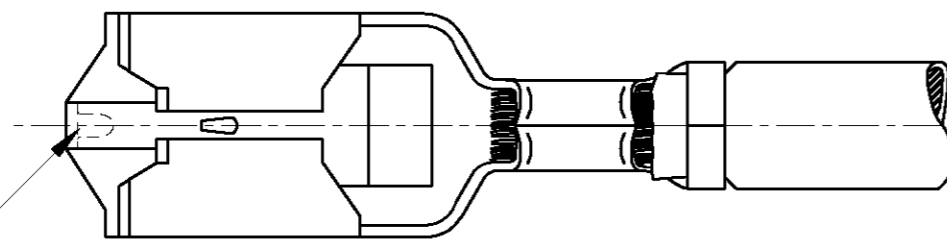
METRIC

THIRD ANGLE

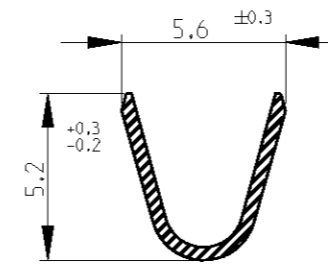
PROJECTION



SECTION A-A



SECTION B-B



SECTION C-C

NOTES:

- 1 FOR USE ON MINIATURE APPLICATOR (LEFT-RIGHT FEED)
- 2 REELED WITH PAPER.
- 3 CONFIGURATION OF CARRIER-STRIP OPTIONAL.
- 4 FOR USE ON MINIATURE APPLICATOR (LEFT-RIGHT FEED) AMP-O-MATOR APPLICATION.

FINISH	MATERIAL	PART NUMBER
PRE-TIN PLATED	PH.BRONZE	△4 6-160831-8
PRE-TIN PLATED	BRASS	△4 6-160831-7
TIN PLATED	PH.BRONZE	△4 1-160831-2
UNPLATED	BRASS	△4 1-160831-1
TIN PLATED	BRASS	△4 1-160831-0
UNPLATED	NICKEL-SILVER	0-160831-9
SILVERPLATED	PH.BRONZE	0-160831-8
SILVERPLATED	BRASS	0-160831-7
UNPLATED	BRASS	△2 0-160831-6
UNPLATED	PH.BRONZE	△2 0-160831-5
TIN PLATED	PH.BRONZE	0-160831-4
TIN PLATED	BRASS	0-160831-3
UNPLATED	PH.BRONZE	0-160831-2
UNPLATED	BRASS	0-160831-1

WIRE RANGE :	1.0-2.5 mm?
INSULATION RANGE :	3.0-4.3mm DIA.

-	-	-	-	-	CUSTOMER DRAWING	FOR REFERENCE ONLY WILL NOT BE UPDATED
-	-	-	-	-	© COPYRIGHT 2002 - BY AMP ESPAÑOLA S.A ALL INTERNATIONAL RIGHTS RESERVED. AMP PRODUCTS MAY BE COVERED BY U.S. AND FOREIGN AND/OR PATENTS PENDING. THIS DRAWING IS UNPUBLISHED RELEASED FOR PUBLICATION	
M	ES00-0029-03	J.L	J.L	28FEB03	tyco Electronic	TYCO ELECTRONICS AMP ESPAÑOLA S.A BARCELONA ESPAÑA
L	ES00-0040-02	J.L.	J.L.	02APR02		
K	EH-0928-99	D.K.	A.B.	16 APR 99	NAME	
J	EH-0124-97	JvL	AB	07-02-97		
LTR.	REVISION RECORD	DR.	CHK.	DATE		
DR.:	J.v.LIEMPT	CHK.:	MvDRIEL	APP.:	M.v.DRIEL	DWG.No.
DATE:	07 FEB 97	DATE:	18 FEB 02	DATE:	18 FEB 02	C-160831
						REV.LTR.
						M
						SHEET
						1 OF 1
						M