

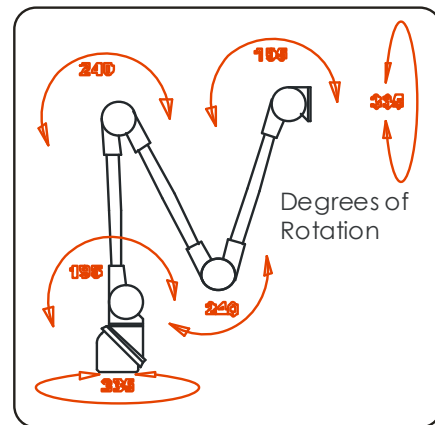
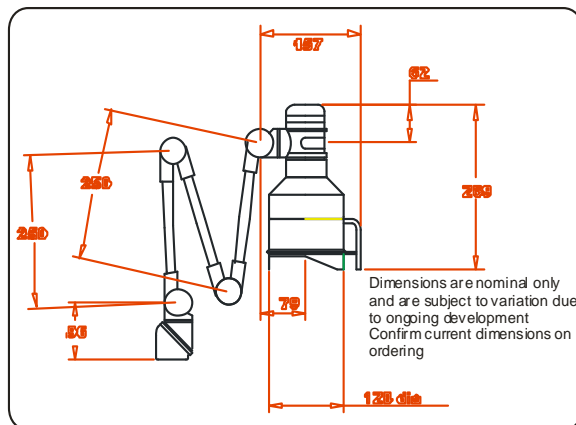
# Machine & Inspection Light

## Adj 3arm machine/bench task light 60w

A general purpose –designed robust durable industrial task light providing a long trouble free life in demanding conditions.

### Features:

- High quality friction arm joints, move easily, yet retain position, tested to over 30,000 movements
- Vibration resistant mountings, arms and lampholders for demanding operating conditions
- Versatile and flexible positioning, relative to subject, based on variety of arm length combinations
- Shade is design maximises the light output from lamp
- Moulded visor, incorporating a handle for ease of adjustment
- Cable is totally enclosed within the unit
- Metal parts are coated in tough chip resistant epoxy polyester powder paint
- Switch is located on head for ease of use
- Head is moulded from strong shock resistant thermoplastic material which acts as an electrical insulator



Primary Voltage:	24v 50v 110v & 240v ensure lamp is of suitable voltage
Lamp Type:	Incandescent – self ballasted fluorescent – LED Retrofit Lamp
Max Wattage:	60w incandescent without shield fitted – 40w with shield fitted
Lamp Base:	E27 Edison Screw
Switch Fitted:	Yes on head
IP Rating:	IP 64
Base Type:	Universal Base – can be horizontal or vertical mounted
Arms:	3 250mm + 250mm + 250mm
Shade:	127mm spun aluminium
Shield Fitted:	Yes (clear polycarbonate)
Visor:	Moulded Visor complete with handle
Trailing Cable:	Not fitted (available as accessory c/w 20mm cable gland)
Manufacturing Standard:	BS EN 60598
RHOS Compliant:	Not applicable
WEE Compliant:	Not applicable
Finish & Colour:	Powder coated Gunmetal Grey



**Accessories:**

**Lamps**



Incandescent lamps are available in 25v 50v 110v and 240v – with 40w & 60w versions available



Incandescent Lamp

Self Ballasted Lamp

LED Retrofit Lamp

**Shields**

The 127mm diameter (5") polycarbonate shield is available either clear, opaque or amber

**Clamps & cable assemblies**

UK 3 pin plug



Clamp 744-003



Euro Plug



**Transformers**

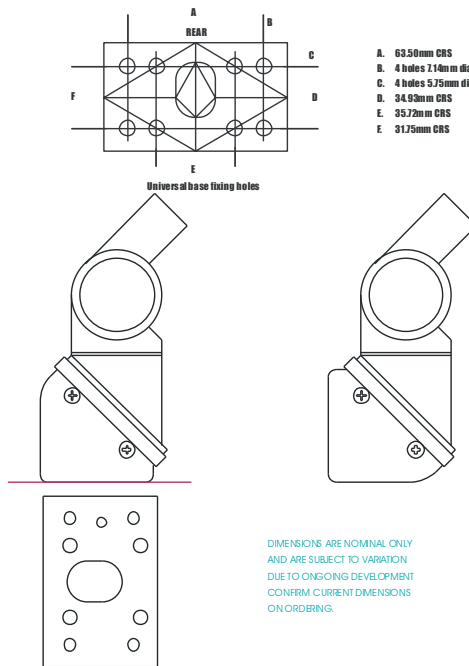
The MT 60VA transformer series is designed for use with 600-723, 743-943,743-937,Task 24 12v & 24v and Load bay luminaire 743-993



Order Code	Primary Voltage	Secondary Voltage
MT5s	240v	12/25v ac
MT10s	240v	25/50v ac
MT15s	415v	12/24v ac
MT20s	415v	25/50v ac
MT25s	415v	110v ac



Universal Base Mounting



Selection of E27 lamps for full details see catalogue					
Type	RS stock Code	Description	Wattage	Voltage	Notes
Fluorescent	454-599	CFL retrofit lamp ES	8w	230/240v	2700k
Fluorescent	499-176	E27 65x135 lamp	15w	230/240v	2700k
Halogen	765-4547	Halogen Eco GLS lamp 30w	30w	230/240v	
Halogen	777-7817	GLS 28w E27 Halogen lamp	28w	230/240v	
Halogen	765-4562	Halogen Eco GLS lamp 46w	46w	230/240v	
Halogen	719-3632	Energy saving round lamp	28w	230/240v	
Halogen	782-3532	Halogen lamp E27	30w	240v	
Halogen	765-4550	Halogen eco golf ball lamp E27	30w	230/240v	
LED	769-2772	LED GLS E27 lamp	10.5w	230/240	806 lumen
LED	769-2760	LED GLS E27 lamp	7.5w	230/240v	470 lumen
LED	713-4361	GLS LED lamp E27 Pure White	10w	230/240v	
LED	499-172	E27 58x120 lamp	11w	220/240v	4000k
LED	775-3004	LED lamp luster E27 2700k	4w	230/240v	250 lumen
LED	715-8238	R63 90 LED ES E27	4.5w	230/240v	
Tungsten	226-9251	Pearl ES Tungsten GLS 60w 50v ac	60w	50v ac	
Tungsten	604-646	Tungsten ES GLS	60w	230/240v	
Tungsten	194-5425	Tungsten ES cap GLS	60w	110v ac	
Tungsten	226-9295	Tungsten ES cap GLS lamp	40w	230/240v	