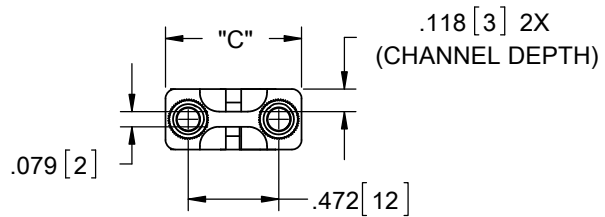
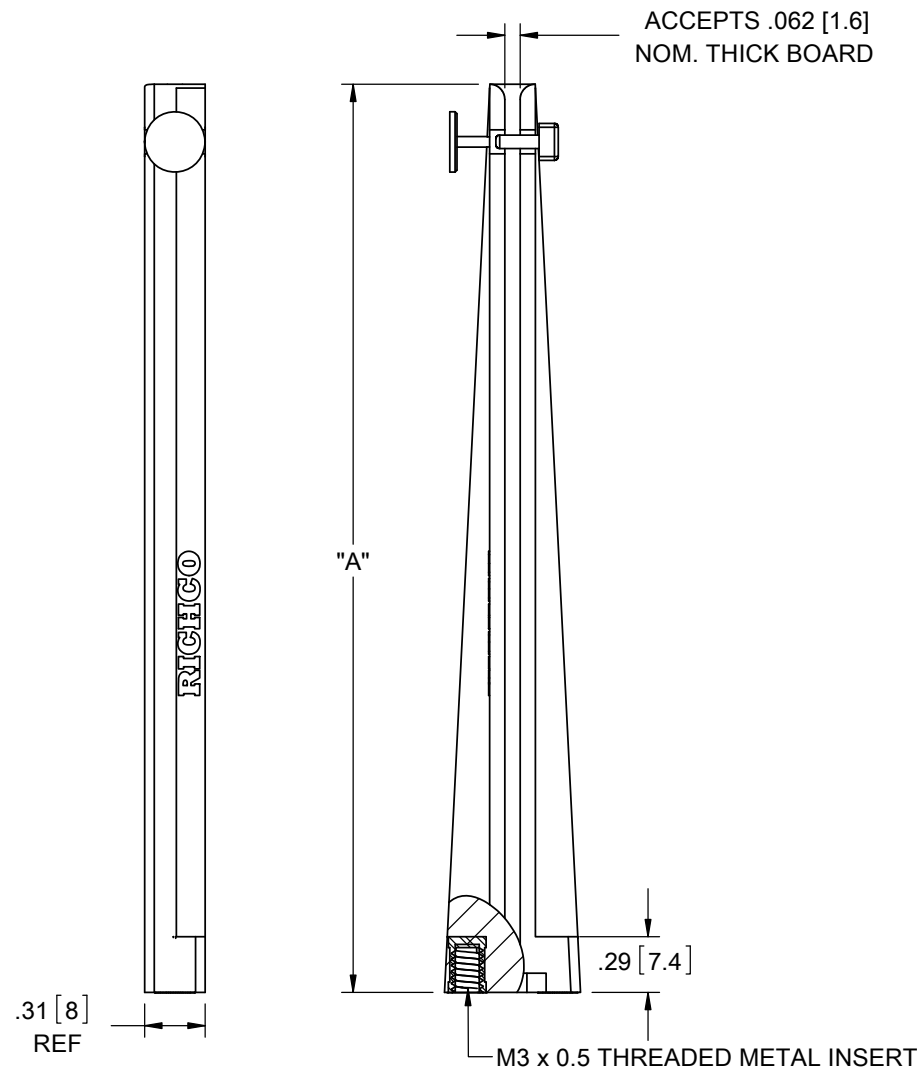
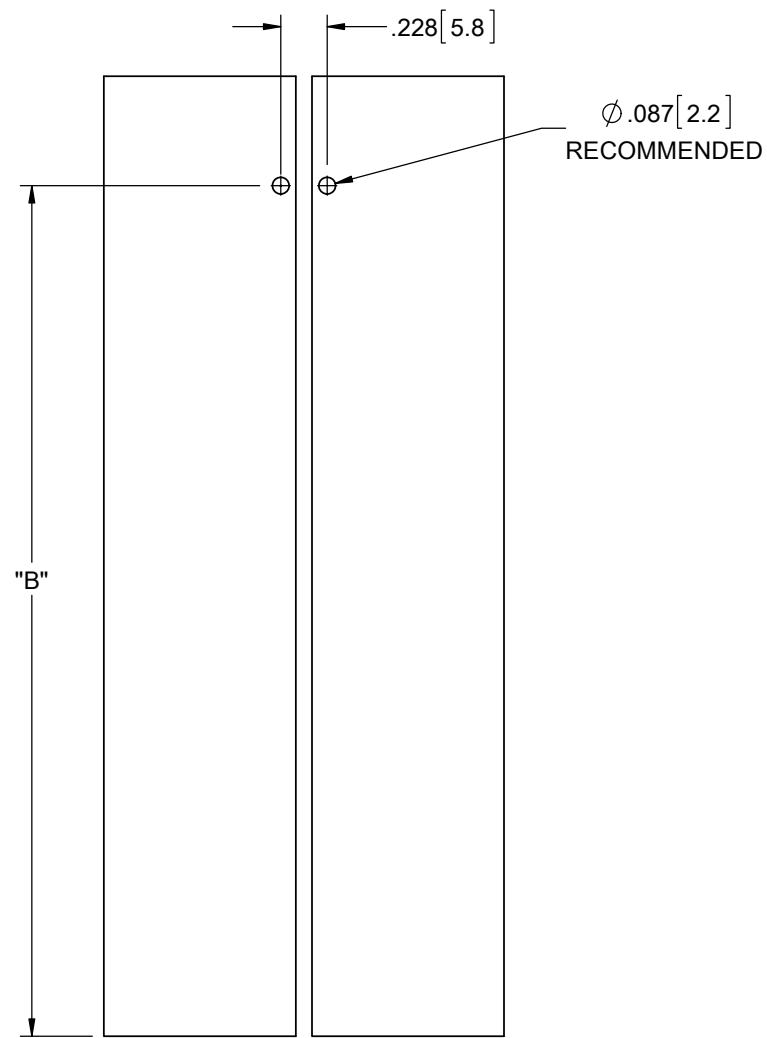
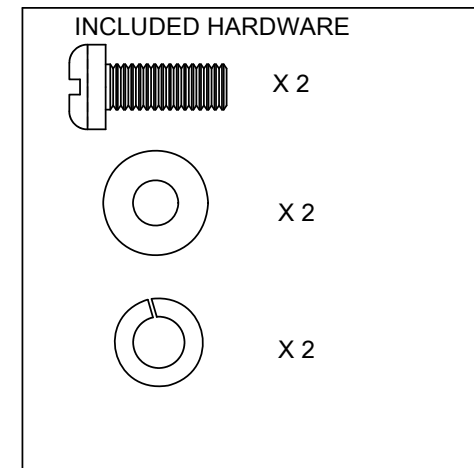
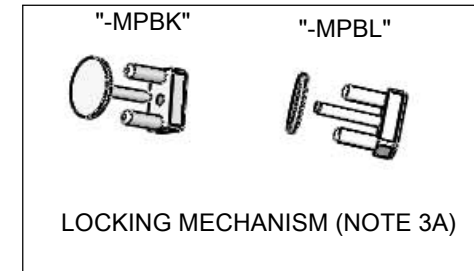


PC BOARD LOCATION



PART NO.	"A"	"B"	"C"	PIN MATERIAL
VMCG-320-MPBK-K	4.73 [120]	4.43 [112.5]	.71 [18]	METAL
*VMCG-320-MPBL-K				PLASTIC, BLUE
VMCG-360-MPBK-K	6.30 [160]	4.43 [112.5]	.75 [19]	METAL

*AVAILABLE BY SPECIAL ORDER ONLY



NOTES:

1. MATERIAL: NYLON 6, GLASS FILLED (RMS-38)
2. COLOR: GRAY.
3. COMPONENTS:
 - a) "MPBK"-LOCKING MECHANISM: BLACK HDPE (RMS-284) AND METAL PIN STAINLESS STEEL (RMS-228).
 - "MPBL"- LOCKING MECHANISM: BLACK HDPE (RMS-284) AND BLUE PLASTIC BUTTON, HDPE (RMS-377)
 - b) SCREW: MILD STEEL, ZINC PLATED (RMS-415)
 - c) THREADED INSERT: BRASS (RMS-231)
 - d) WASHER: STAINLESS STEEL (RMS-228)

REV.	DESCRIPTION	ENGR.	DATE
M	SEE CO 200754, REMOVED .079 [2] DIM FROM PCB	SK	01/27/2012
L	SEE CO 200750, UPDATED DRAWING VIEWS AND NOTES	SK	01/25/2012
K	SEE CO 200636, SCREW MATERIAL CHANGED	SK	03.14.11
J	REMOVED DIM. .079 [2]M SEE CO 200552	SK	07/07/10
I	SEE CO 200146 FOR CHANGES	SK	03/25/08
H	SEE ECN #1356 FOR CHANGES	SK	08/22/07
G	REDRAWN, SEE ECN #1306 FOR CHANGES	SK	04/02/07
-	SEE ENGINEERING FOR REVISIONS A-F	--	-----

TITLE: VERTICAL MOUNT CARD GUIDE, TYPE 3				DWG IN IN [MM]		FINAL	
CREATED USING SOLIDWORKS	FILE #: VMCG-3	DWN: SK	APP: S.K.				
TOLERANCES UNLESS NOTED .XX=±.010 .XXX=±.005 FRAC.=±1/64 ANG.=±1°	SHEET: 1 OF 1 SHEET SIZE: B	DT: 04/02/07	CHKD: D.J.Z.	PART #		PRINT TYPE	
RE: RICHCO, INC.		RICHCO, INC. ENG@RICHCO-INC.COM (773) 539-4060		SEE TABLE		CA	