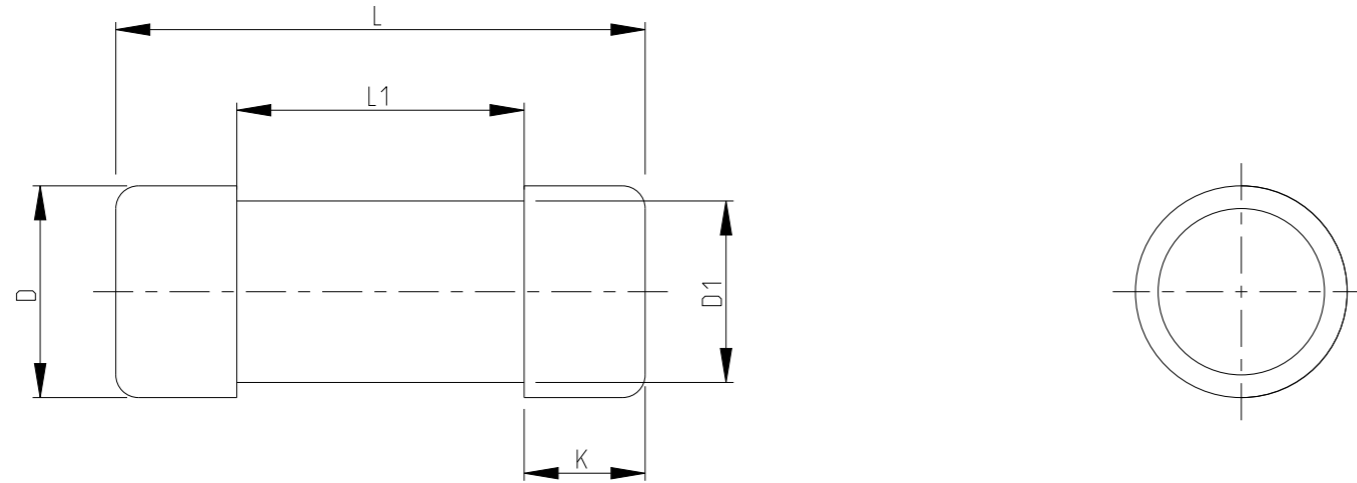
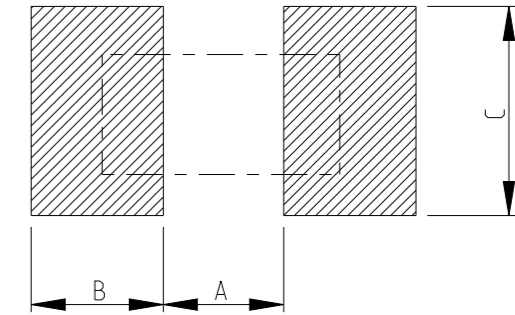


| P | LTR | DESCRIPTION | DATE | DWN | APVD |
|---|-----|-------------------------|-----------|-----|------|
| | BA | INITIAL DRAWING RELEASE | 22NOV2023 | DM | AP |
| | | | | | |
| | | | | | |

FOR FURTHER INFORMATION SEE DATA SHEET OF METAL FILM PRECISION MELF RESISTOR AEC-Q200 QUALIFIED TYPE SMA-Q SERIES



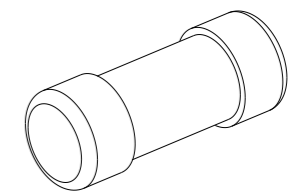
RECOMMENDED LAND PATTERN



| TYPE | L (mm) | L1 min. (mm) | ∅D (mm) | ∅D1 (mm) | K (mm) | WEIGHT MG EA |
|------------|-----------|--------------|------------|-----------|-----------|--------------|
| SMA-Q 0204 | 3.5 ± 0.2 | 1.7 | 1.4 ± 0.15 | D +0/-0.2 | 0.8 ± 0.1 | 18.7 |

| SIZE | A (mm) | B (mm) | C (mm) |
|------------|--------|--------|--------|
| SMA-Q 0204 | 1.6 | 1.2 | 1.6 |

RoHS Compliant



| | | | | | | | | | | | | | | |
|--|------|-------------------------------|---|--------------------|-------------------------|------|-------|------|-------|---|-------|---|-------|---|
| THIS DRAWING IS A CONTROLLED DOCUMENT. | | DWN DHEERAJ M 22NOV2023 | <p>TE Connectivity</p> <p>METAL FILM PRECISION MELF RESISTORS AEC-Q200 QUALIFIED TYPE SMA-Q 0204 SERIES</p> | | | | | | | | | | | |
| DIMENSIONS: mm | | CHK TRACY G 22NOV2023 | | | | | | | | | | | | |
| TOLERANCES UNLESS OTHERWISE SPECIFIED: | | APVD ALLAN P 22NOV2023 | | | | | | | | | | | | |
| <table border="1"> <tr> <td>0 PLC</td> <td>±0.2</td> </tr> <tr> <td>1 PLC</td> <td>±0.1</td> </tr> <tr> <td>2 PLC</td> <td>±</td> </tr> <tr> <td>3 PLC</td> <td>±</td> </tr> <tr> <td>4 PLC</td> <td>±</td> </tr> <tr> <td>ANGLES</td> <td>±5°</td> </tr> </table> | | 0 PLC | | | | ±0.2 | 1 PLC | ±0.1 | 2 PLC | ± | 3 PLC | ± | 4 PLC | ± |
| 0 PLC | ±0.2 | | | | | | | | | | | | | |
| 1 PLC | ±0.1 | | | | | | | | | | | | | |
| 2 PLC | ± | | | | | | | | | | | | | |
| 3 PLC | ± | | | | | | | | | | | | | |
| 4 PLC | ± | | | | | | | | | | | | | |
| ANGLES | ±5° | | | | | | | | | | | | | |
| MATERIAL - | | FINISH - | APPLICATION SPEC - | WEIGHT - | NAME - | | | | | | | | | |
| CUSTOMER DRAWING | | | SIZE A3 | CAGE CODE 00779 | DRAWING NO C=2176660 | | | | | | | | | |
| | | | SCALE 20:1 | SHEET 1 OF 3 | RESTRICTED TO - | | | | | | | | | |
| | | | REV BA | | | | | | | | | | | |

REVISIONS

| P | LTR | DESCRIPTION | DATE | DWN | APVD |
|---|-----|-------------|------|-----|------|
| | - | SEE SHEET 1 | - | - | - |
| | | | | | |
| | | | | | |

SCHEDULE

| TCPN | CATALOGUE NUMBER | PART DESCRIPTION | PART STATUS |
|-------------|-------------------|------------------------------------|-------------|
| 2176660-1 | SMA-Q0204FTDX1K24 | MELF SMA-Q 1K24 1% 50PPM 0204 0.4W | PRODUCTION |
| 2176660-2 | SMA-Q0204FTDX1K27 | MELF SMA-Q 1K27 1% 50PPM 0204 0.4W | PRODUCTION |
| 2176660-3 | SMA-Q0204FTDX1K3 | MELF SMA-Q 1K3 1% 50PPM 0204 0.4W | PRODUCTION |
| 2176660-4 | SMA-Q0204FTDX1K33 | MELF SMA-Q 1K33 1% 50PPM 0204 0.4W | PRODUCTION |
| 2176660-5 | SMA-Q0204FTDX1K37 | MELF SMA-Q 1K37 1% 50PPM 0204 0.4W | PRODUCTION |
| 2176660-6 | SMA-Q0204FTDX1K4 | MELF SMA-Q 1K4 1% 50PPM 0204 0.4W | PRODUCTION |
| 2176660-7 | SMA-Q0204FTDX1K43 | MELF SMA-Q 1K43 1% 50PPM 0204 0.4W | PRODUCTION |
| 2176660-8 | SMA-Q0204FTDX1K47 | MELF SMA-Q 1K47 1% 50PPM 0204 0.4W | PRODUCTION |
| 2176660-9 | SMA-Q0204FTDX1K5 | MELF SMA-Q 1K5 1% 50PPM 0204 0.4W | PRODUCTION |
| 1-2176660-0 | SMA-Q0204FTDX1K54 | MELF SMA-Q 1K54 1% 50PPM 0204 0.4W | PRODUCTION |
| 1-2176660-1 | SMA-Q0204FTDX1K58 | MELF SMA-Q 1K58 1% 50PPM 0204 0.4W | PRODUCTION |
| 1-2176660-2 | SMA-Q0204FTDX1K62 | MELF SMA-Q 1K62 1% 50PPM 0204 0.4W | PRODUCTION |
| 1-2176660-3 | SMA-Q0204FTDX1K65 | MELF SMA-Q 1K65 1% 50PPM 0204 0.4W | PRODUCTION |
| 1-2176660-4 | SMA-Q0204FTDX1K69 | MELF SMA-Q 1K69 1% 50PPM 0204 0.4W | PRODUCTION |
| 1-2176660-5 | SMA-Q0204FTDX1K74 | MELF SMA-Q 1K74 1% 50PPM 0204 0.4W | PRODUCTION |
| 1-2176660-6 | SMA-Q0204FTDX1K78 | MELF SMA-Q 1K78 1% 50PPM 0204 0.4W | PRODUCTION |
| 1-2176660-7 | SMA-Q0204FTDX1K82 | MELF SMA-Q 1K82 1% 50PPM 0204 0.4W | PRODUCTION |
| 1-2176660-8 | SMA-Q0204FTDX1K87 | MELF SMA-Q 1K87 1% 50PPM 0204 0.4W | PRODUCTION |
| 1-2176660-9 | SMA-Q0204FTDX1K91 | MELF SMA-Q 1K91 1% 50PPM 0204 0.4W | PRODUCTION |
| 2-2176660-0 | SMA-Q0204FTDX1K96 | MELF SMA-Q 1K96 1% 50PPM 0204 0.4W | PRODUCTION |
| 2-2176660-1 | SMA-Q0204FTDX2K0 | MELF SMA-Q 2K0 1% 50PPM 0204 0.4W | PRODUCTION |
| 2-2176660-2 | SMA-Q0204FTDX2K05 | MELF SMA-Q 2K05 1% 50PPM 0204 0.4W | PRODUCTION |
| 2-2176660-3 | SMA-Q0204FTDX2K1 | MELF SMA-Q 2K1 1% 50PPM 0204 0.4W | PRODUCTION |
| 2-2176660-4 | SMA-Q0204FTDX2K15 | MELF SMA-Q 2K15 1% 50PPM 0204 0.4W | PRODUCTION |
| 2-2176660-5 | SMA-Q0204FTDX2K21 | MELF SMA-Q 2K21 1% 50PPM 0204 0.4W | PRODUCTION |
| 2-2176660-6 | SMA-Q0204FTDX2K26 | MELF SMA-Q 2K26 1% 50PPM 0204 0.4W | PRODUCTION |
| 2-2176660-7 | SMA-Q0204FTDX2K32 | MELF SMA-Q 2K32 1% 50PPM 0204 0.4W | PRODUCTION |
| 2-2176660-8 | SMA-Q0204FTDX2K37 | MELF SMA-Q 2K37 1% 50PPM 0204 0.4W | PRODUCTION |
| 2-2176660-9 | SMA-Q0204FTDX2K43 | MELF SMA-Q 2K43 1% 50PPM 0204 0.4W | PRODUCTION |
| 3-2176660-0 | SMA-Q0204FTDX2K49 | MELF SMA-Q 2K49 1% 50PPM 0204 0.4W | PRODUCTION |
| 3-2176660-1 | SMA-Q0204FTDX2K55 | MELF SMA-Q 2K55 1% 50PPM 0204 0.4W | PRODUCTION |
| 3-2176660-2 | SMA-Q0204FTDX2K61 | MELF SMA-Q 2K61 1% 50PPM 0204 0.4W | PRODUCTION |
| 3-2176660-3 | SMA-Q0204FTDX2K67 | MELF SMA-Q 2K67 1% 50PPM 0204 0.4W | PRODUCTION |

SCHEDULE

| TCPN | CATALOGUE NUMBER | PART DESCRIPTION | PART STATUS |
|-------------|-------------------|------------------------------------|-------------|
| 3-2176660-4 | SMA-Q0204FTDX2K74 | MELF SMA-Q 2K74 1% 50PPM 0204 0.4W | PRODUCTION |
| 3-2176660-5 | SMA-Q0204FTDX2K8 | MELF SMA-Q 2K8 1% 50PPM 0204 0.4W | PRODUCTION |
| 3-2176660-6 | SMA-Q0204FTDX2K87 | MELF SMA-Q 2K87 1% 50PPM 0204 0.4W | PRODUCTION |
| 3-2176660-7 | SMA-Q0204FTDX2K94 | MELF SMA-Q 2K94 1% 50PPM 0204 0.4W | PRODUCTION |
| 3-2176660-8 | SMA-Q0204FTDX3K01 | MELF SMA-Q 3K01 1% 50PPM 0204 0.4W | PRODUCTION |
| 3-2176660-9 | SMA-Q0204FTDX3K09 | MELF SMA-Q 3K09 1% 50PPM 0204 0.4W | PRODUCTION |
| 4-2176660-0 | SMA-Q0204FTDX3K16 | MELF SMA-Q 3K16 1% 50PPM 0204 0.4W | PRODUCTION |
| 4-2176660-1 | SMA-Q0204FTDX3K24 | MELF SMA-Q 3K24 1% 50PPM 0204 0.4W | PRODUCTION |
| 4-2176660-2 | SMA-Q0204FTDX3K32 | MELF SMA-Q 3K32 1% 50PPM 0204 0.4W | PRODUCTION |
| 4-2176660-3 | SMA-Q0204FTDX3K4 | MELF SMA-Q 3K4 1% 50PPM 0204 0.4W | PRODUCTION |
| 4-2176660-4 | SMA-Q0204FTDX3K48 | MELF SMA-Q 3K48 1% 50PPM 0204 0.4W | PRODUCTION |
| 4-2176660-5 | SMA-Q0204FTDX3K57 | MELF SMA-Q 3K57 1% 50PPM 0204 0.4W | PRODUCTION |
| 4-2176660-6 | SMA-Q0204FTDX3K65 | MELF SMA-Q 3K65 1% 50PPM 0204 0.4W | PRODUCTION |
| 4-2176660-7 | SMA-Q0204FTDX3K74 | MELF SMA-Q 3K74 1% 50PPM 0204 0.4W | PRODUCTION |
| 4-2176660-8 | SMA-Q0204FTDX3K83 | MELF SMA-Q 3K83 1% 50PPM 0204 0.4W | PRODUCTION |
| 4-2176660-9 | SMA-Q0204FTDX3K92 | MELF SMA-Q 3K92 1% 50PPM 0204 0.4W | PRODUCTION |
| 5-2176660-0 | SMA-Q0204FTDX4K02 | MELF SMA-Q 4K02 1% 50PPM 0204 0.4W | PRODUCTION |
| 5-2176660-1 | SMA-Q0204FTDX4K12 | MELF SMA-Q 4K12 1% 50PPM 0204 0.4W | PRODUCTION |
| 5-2176660-2 | SMA-Q0204FTDX4K22 | MELF SMA-Q 4K22 1% 50PPM 0204 0.4W | PRODUCTION |
| 5-2176660-3 | SMA-Q0204FTDX4K32 | MELF SMA-Q 4K32 1% 50PPM 0204 0.4W | PRODUCTION |
| 5-2176660-4 | SMA-Q0204FTDX4K42 | MELF SMA-Q 4K42 1% 50PPM 0204 0.4W | PRODUCTION |
| 5-2176660-5 | SMA-Q0204FTDX4K53 | MELF SMA-Q 4K53 1% 50PPM 0204 0.4W | PRODUCTION |
| 5-2176660-6 | SMA-Q0204FTDX4K64 | MELF SMA-Q 4K64 1% 50PPM 0204 0.4W | PRODUCTION |
| 5-2176660-7 | SMA-Q0204FTDX4K75 | MELF SMA-Q 4K75 1% 50PPM 0204 0.4W | PRODUCTION |
| 5-2176660-8 | SMA-Q0204FTDX4K87 | MELF SMA-Q 4K87 1% 50PPM 0204 0.4W | PRODUCTION |
| 5-2176660-9 | SMA-Q0204FTDX4K99 | MELF SMA-Q 4K99 1% 50PPM 0204 0.4W | PRODUCTION |
| 6-2176660-0 | SMA-Q0204FTDX5K11 | MELF SMA-Q 5K11 1% 50PPM 0204 0.4W | PRODUCTION |
| 6-2176660-1 | SMA-Q0204FTDX5K23 | MELF SMA-Q 5K23 1% 50PPM 0204 0.4W | PRODUCTION |
| 6-2176660-2 | SMA-Q0204FTDX5K36 | MELF SMA-Q 5K36 1% 50PPM 0204 0.4W | PRODUCTION |
| 6-2176660-3 | SMA-Q0204FTDX5K49 | MELF SMA-Q 5K49 1% 50PPM 0204 0.4W | PRODUCTION |
| 6-2176660-4 | SMA-Q0204FTDX5K62 | MELF SMA-Q 5K62 1% 50PPM 0204 0.4W | PRODUCTION |
| 6-2176660-5 | SMA-Q0204FTDX5K76 | MELF SMA-Q 5K76 1% 50PPM 0204 0.4W | PRODUCTION |
| 6-2176660-6 | SMA-Q0204FTDX5K9 | MELF SMA-Q 5K9 1% 50PPM 0204 0.4W | PRODUCTION |

THIS DRAWING IS A CONTROLLED DOCUMENT.

DWN DHEERAJ M 22NOV2023

CHK TRACY G 22NOV2023

APVD ALLAN P 22NOV2023

PRODUCT SPEC

APPLICATION SPEC

WEIGHT

CUSTOMER DRAWING



TE Connectivity

METAL FILM PRECISION MELF RESISTORS
AEC-Q200 QUALIFIED TYPE
SMA-Q 0204 SERIES

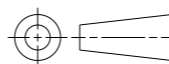
SIZE CAGE CODE DRAWING NO RESTRICTED TO

A3 00779 C-2176660

SCALE 40:1 SHEET 2 OF 3 REV BA

DIMENSIONS:

mm



TOLERANCES UNLESS OTHERWISE SPECIFIED:

| | |
|--------|------|
| 0 PLC | ±0.2 |
| 1 PLC | ±0.1 |
| 2 PLC | ± |
| 3 PLC | ± |
| 4 PLC | ± |
| ANGLES | ±5° |


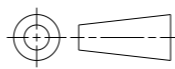
MATERIAL

FINISH

REVISIONS

| P | LTR | DESCRIPTION | DATE | DWN | APVD |
|---|-----|-------------|------|-----|------|
| - | | SEE SHEET 1 | - | - | - |
| | | | | | |
| | | | | | |

| SCHEDULE | | | |
|-------------|-------------------|------------------------------------|-------------|
| TCPN | CATALOGUE NUMBER | PART DESCRIPTION | PART STATUS |
| 6-2176660-7 | SMA-Q0204FTDX6K04 | MELF SMA-Q 6K04 1% 50PPM 0204 0.4W | PRODUCTION |
| 6-2176660-8 | SMA-Q0204FTDX6K19 | MELF SMA-Q 6K19 1% 50PPM 0204 0.4W | PRODUCTION |
| 6-2176660-9 | SMA-Q0204FTDX6K34 | MELF SMA-Q 6K34 1% 50PPM 0204 0.4W | PRODUCTION |
| 7-2176660-0 | SMA-Q0204FTDX6K49 | MELF SMA-Q 6K49 1% 50PPM 0204 0.4W | PRODUCTION |
| 7-2176660-1 | SMA-Q0204FTDX6K65 | MELF SMA-Q 6K65 1% 50PPM 0204 0.4W | PRODUCTION |
| 7-2176660-2 | SMA-Q0204FTDX6K81 | MELF SMA-Q 6K81 1% 50PPM 0204 0.4W | PRODUCTION |
| 7-2176660-3 | SMA-Q0204FTDX6K98 | MELF SMA-Q 6K98 1% 50PPM 0204 0.4W | PRODUCTION |
| 7-2176660-4 | SMA-Q0204FTDX7K15 | MELF SMA-Q 7K15 1% 50PPM 0204 0.4W | PRODUCTION |
| 7-2176660-5 | SMA-Q0204FTDX7K32 | MELF SMA-Q 7K32 1% 50PPM 0204 0.4W | PRODUCTION |
| 7-2176660-6 | SMA-Q0204FTDX7K5 | MELF SMA-Q 7K5 1% 50PPM 0204 0.4W | PRODUCTION |
| 7-2176660-7 | SMA-Q0204FTDX7K68 | MELF SMA-Q 7K68 1% 50PPM 0204 0.4W | PRODUCTION |
| 7-2176660-8 | SMA-Q0204FTDX7K87 | MELF SMA-Q 7K87 1% 50PPM 0204 0.4W | PRODUCTION |
| 7-2176660-9 | SMA-Q0204FTDX8K06 | MELF SMA-Q 8K06 1% 50PPM 0204 0.4W | PRODUCTION |
| 8-2176660-0 | SMA-Q0204FTDX8K25 | MELF SMA-Q 8K25 1% 50PPM 0204 0.4W | PRODUCTION |
| 8-2176660-1 | SMA-Q0204FTDX8K45 | MELF SMA-Q 8K45 1% 50PPM 0204 0.4W | PRODUCTION |
| 8-2176660-2 | SMA-Q0204FTDX8K66 | MELF SMA-Q 8K66 1% 50PPM 0204 0.4W | PRODUCTION |
| 8-2176660-3 | SMA-Q0204FTDX8K87 | MELF SMA-Q 8K87 1% 50PPM 0204 0.4W | PRODUCTION |
| 8-2176660-4 | SMA-Q0204FTDX9K09 | MELF SMA-Q 9K09 1% 50PPM 0204 0.4W | PRODUCTION |
| 8-2176660-5 | SMA-Q0204FTDX9K31 | MELF SMA-Q 9K31 1% 50PPM 0204 0.4W | PRODUCTION |
| 8-2176660-6 | SMA-Q0204FTDX9K53 | MELF SMA-Q 9K53 1% 50PPM 0204 0.4W | PRODUCTION |
| 8-2176660-7 | SMA-Q0204FTDX9K76 | MELF SMA-Q 9K76 1% 50PPM 0204 0.4W | PRODUCTION |
| 8-2176660-8 | SMA-Q0204FTDX10K | MELF SMA-Q 10K 1% 50PPM 0204 0.4W | PRODUCTION |
| 8-2176660-9 | SMA-Q0204FTDX10K2 | MELF SMA-Q 10K2 1% 50PPM 0204 0.4W | PRODUCTION |
| 9-2176660-0 | SMA-Q0204FTDX10K5 | MELF SMA-Q 10K5 1% 50PPM 0204 0.4W | PRODUCTION |
| 9-2176660-1 | SMA-Q0204FTDX10K7 | MELF SMA-Q 10K7 1% 50PPM 0204 0.4W | PRODUCTION |
| 9-2176660-2 | SMA-Q0204FTDX11K | MELF SMA-Q 11K 1% 50PPM 0204 0.4W | PRODUCTION |
| 9-2176660-3 | SMA-Q0204FTDX11K3 | MELF SMA-Q 11K3 1% 50PPM 0204 0.4W | PRODUCTION |
| 9-2176660-4 | SMA-Q0204FTDX11K5 | MELF SMA-Q 11K5 1% 50PPM 0204 0.4W | PRODUCTION |
| 9-2176660-5 | SMA-Q0204FTDX11K8 | MELF SMA-Q 11K8 1% 50PPM 0204 0.4W | PRODUCTION |
| 9-2176660-6 | SMA-Q0204FTDX12K1 | MELF SMA-Q 12K1 1% 50PPM 0204 0.4W | PRODUCTION |
| 9-2176660-7 | SMA-Q0204FTDX12K4 | MELF SMA-Q 12K4 1% 50PPM 0204 0.4W | PRODUCTION |
| 9-2176660-8 | SMA-Q0204FTDX12K7 | MELF SMA-Q 12K7 1% 50PPM 0204 0.4W | PRODUCTION |
| 9-2176660-9 | SMA-Q0204FTDX13K | MELF SMA-Q 13K 1% 50PPM 0204 0.4W | PRODUCTION |

| | | | | | |
|--|--|---|-----------|---|-----------------------|
| THIS DRAWING IS A CONTROLLED DOCUMENT. | | DWN DHEERAJ M | 22NOV2023 |  TE Connectivity | |
| | | CHK TRACY G | 22NOV2023 | | |
| | | APVD ALLAN P | 22NOV2023 | | |
| DIMENSIONS: mm  | | TOLERANCES UNLESS OTHERWISE SPECIFIED: 0 PLC ±0.2 1 PLC ±0.1 2 PLC ± 3 PLC ± 4 PLC ± ANGLES ±5° | | NAME METAL FILM PRECISION MELF RESISTORS AEC-Q200 QUALIFIED TYPE SMA-Q 0204 SERIES | |
| MATERIAL - | | FINISH - | | PRODUCT SPEC - | APPLICATION SPEC - |
| | | WEIGHT - | | SIZE A3 | CAGE CODE 00779 |
| | | CUSTOMER DRAWING | | DRAWING NO C=2176660 | RESTRICTED TO - |
| | | SCALE 20:1 | | SHEET 3 OF 3 | REV BA |