

# Datasheet

## ACTIVELY COOLED MR16 TYPE LED LAMP

### Applications

Retail and Commercial track, accent, display and downlighting.

### Product Description

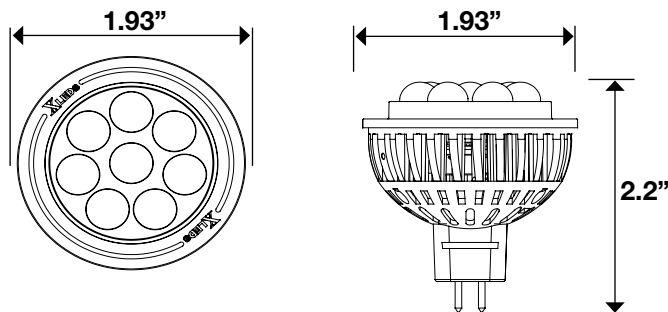
The Galaxy 1607S is an MR16 LED lamp that installs easily into any 2 Pin (GU5.3/GX5.3) low voltage (12V) socket and is a direct replacement in most MR16 type fixtures that use MR16 or MR11 low voltage halogen lamps. The Galaxy 1607S delivers energy savings of up to 35% with up to 25 times the life span of the lamps that it replaces. A unique integral, active thermal management system drives heat away from the high brightness LED's, allowing for exceptionally high luminous efficacy, lower junction temperatures, reliable longer life and a small form factor. The Galaxy 1607S provides an unprecedented combination of energy efficiency, lumen output, true white light and very long life. The Galaxy 1607S delivers **"savings without sacrifice"**.

### Specifications

Input Power:	7 watts
Light Output:	296 initial lumens
Efficacy (Lm/W):	42 Lumens/Watt
MBCP:	440 cd.
Rated Life:	50,000 hours
Input Voltage:	12VAC (transformer supplied by others)
Bulb:	MR16
Base:	2 pin (GU5.3/GX5.3)
Burning Position:	Universal
Beam Angle:	40° 60°
Available Colors:	Warm White (WW) – 3000K Cool White (CW) – 5500K Red (R) Green (G) Blue (B)
Output Characteristics:	No UV or IR produced
Operating Temp:	-4° F to 104° F
Weight:	1.6 oz.
Regulatory:	UL Listed indoor Exceeds CA Title 24 efficiency requirements RoHS Compliant
Warranty:	2 Year Limited Warranty



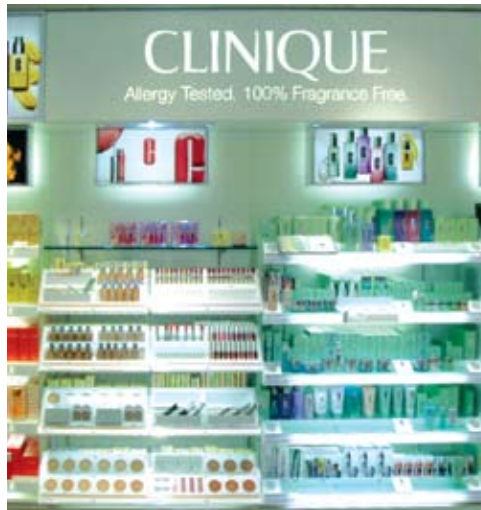
### Dimensions



RS Stock No.	Colour Temperature	Beam Angle
701-3561	3000K Warm White	40°
701-3570	3000K Warm White	60°
701-3573	5700K Cool White	40°
701-3577	5700K Cool White	60°



**Retail**



**Downlight**



**Office**



**Track Lighting**



**Display**

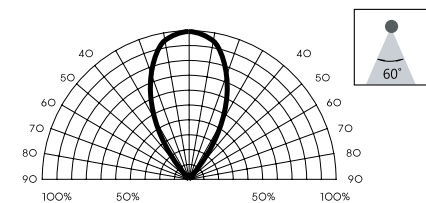


**Track Lighting**

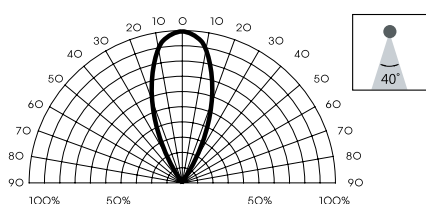


**Photometrics**

Radiation Angle 60°



Radiation Angle 40°



IES files can be down-loaded from website.

**Energy Analysis**

	XLEDs MR16	20MR16 /HAL
Power consumption (watts)	7	20
Rated Life (hrs)	50,000	3,000
Average Cost/lamp	\$60.00	\$5.00
Lamp changes/50,000 hrs	0	16.7
Operating Hours/Year (12 hrs/day)	4,380	4,380
Energy Cost \$/Kwh	\$0.10	\$0.10
Labor Cost/lamp replacement	\$5.00	\$5.00
<b>Results:</b>		
Energy Savings over 50,000 hrs =	\$65	
Replacement Lamp savings =	\$83	
Replacement Labor savings =	\$83	
Total Savings =	\$231	
Less cost of MR16 LED lamp =	\$60	
<b>Net savings per socket =</b>	<b>\$171</b>	

**Installation Guidelines**

Ensure adequate ventilation and airflow around lamp, ambient temperature not to exceed 104°F (40°C).

For use in indoor locations only.

May not fit in all MR16 type fixtures. Please ensure fit prior to installation.

Not for use in sealed fixtures.

May not be compatible with all electronic transformers due to the low power consumption of the lamp. Some transformers require a minimum load that exceeds the power consumption of the Galaxy 1607S. Check compatibility before installation.

If fixture includes a glass or plastic lens, please remove if possible to ensure fit.

**NOT FOR USE ON DIMMING CIRCUITS**