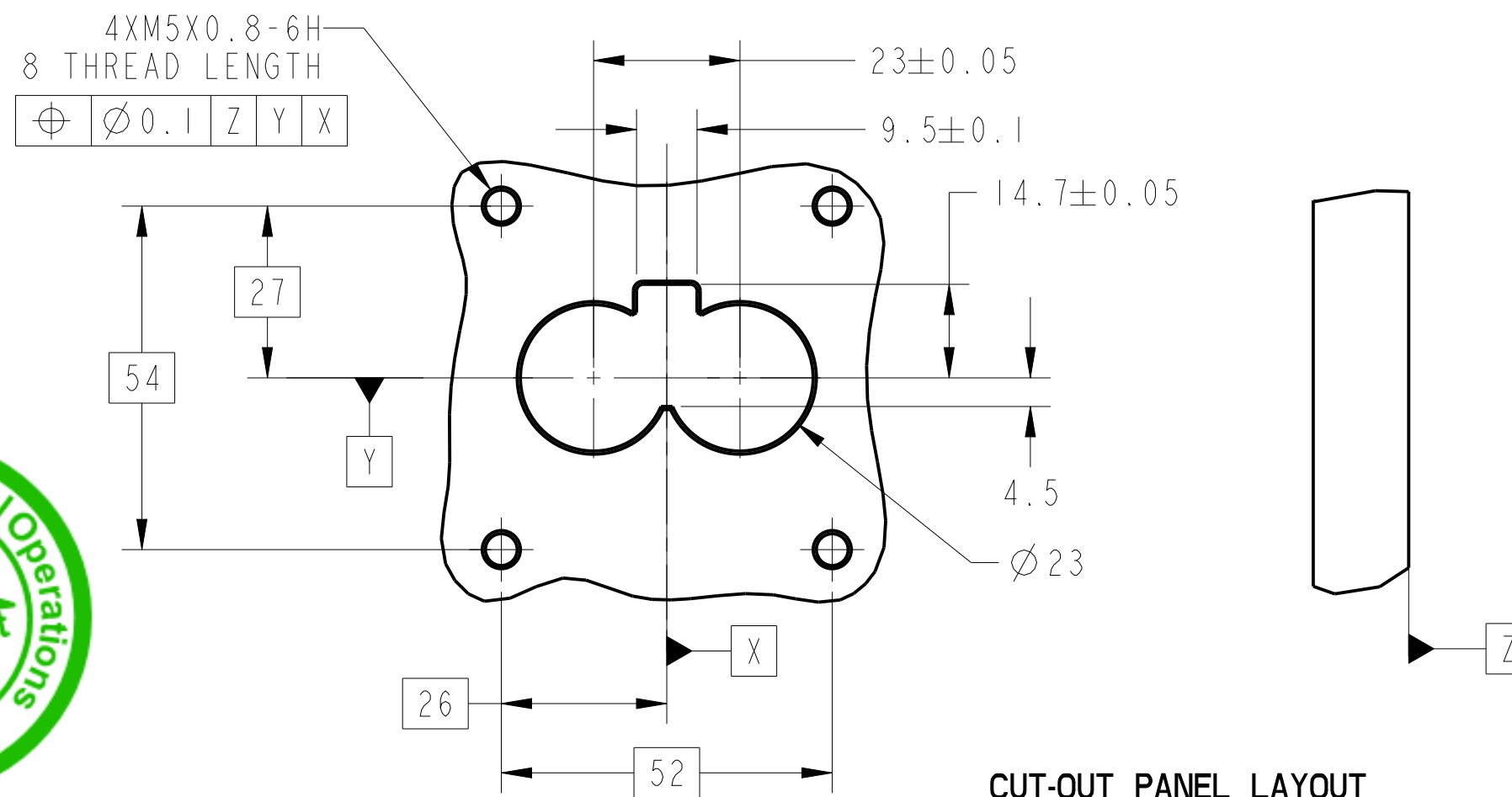
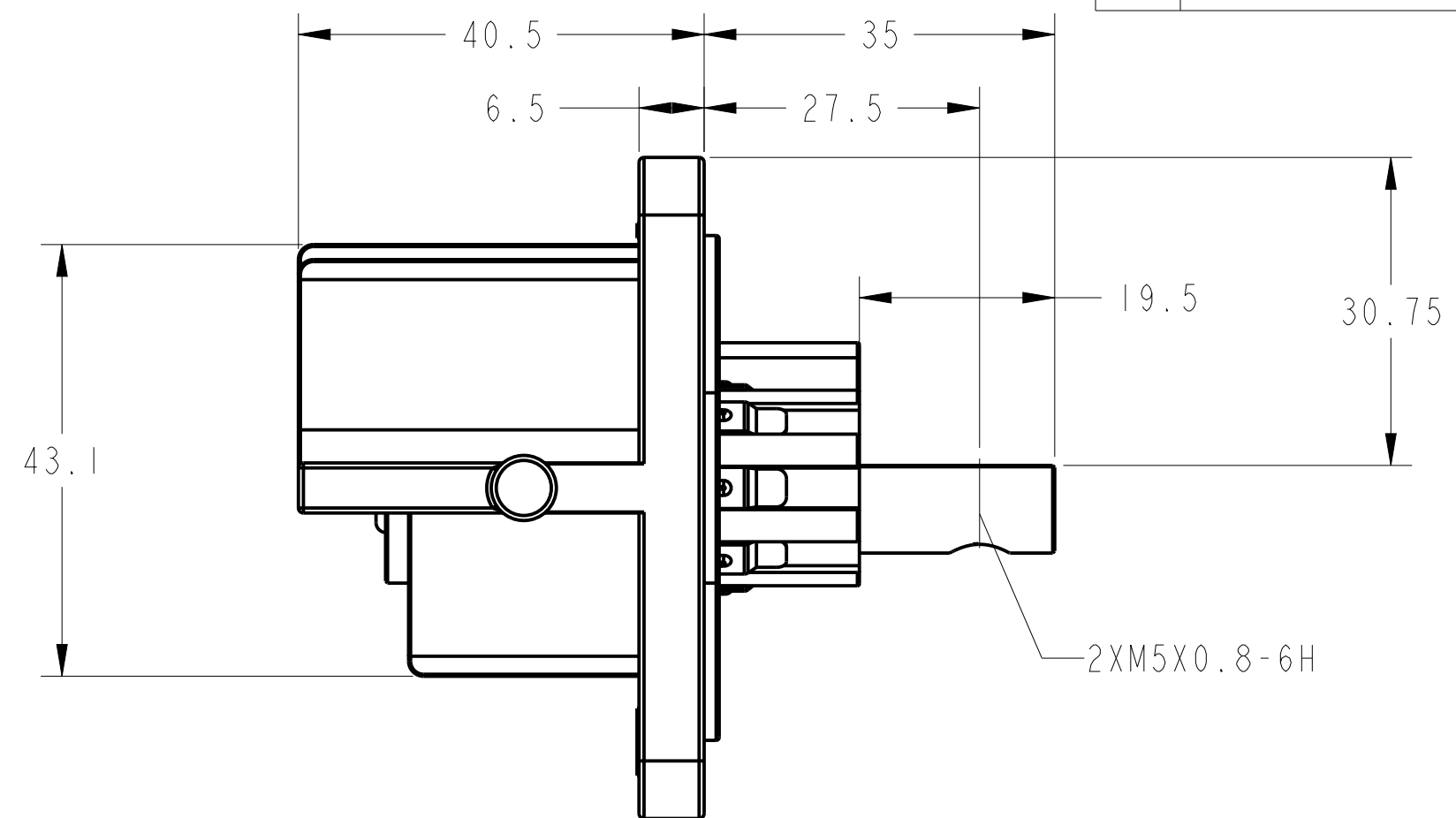
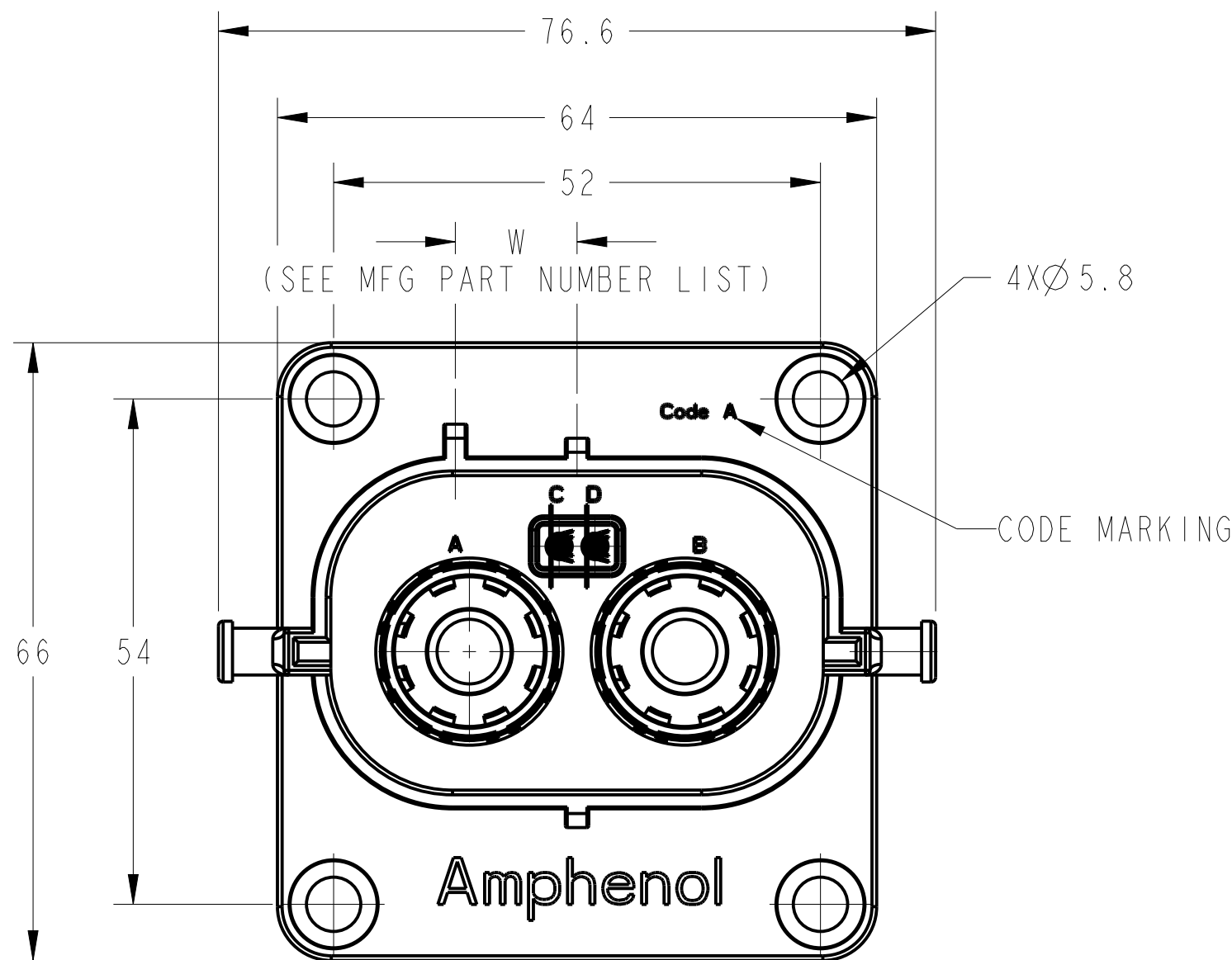


GENERAL TOLERANCE

DIM. RANGE	0.5 ~ 3	> 3 ~ 6	> 6 ~ 30	> 30 ~ 120	> 120 ~ 400
TOLERANCE	±0.1	±0.1	±0.2	±0.3	±0.5

CUSTOMER DRAWING

REVISIONS		
REV	DESCRIPTION	DATE
A	INITIAL RELEASE	2015-8-18
B	UPDATE THE DRAWING	2016-02-03
C	UPDATE THE DRAWING	2016-03-18
D	ADD CODE NUMBER & NEW KEYWAY OPTION	2016-06-02



1. THE REFERENCED PRODUCT IS IN COMPLIANCE WITH THE MAXIMUM CONCENTRATION VALUES(MCVS) AS SET BY ROHS 2.0 DIRECTIVE 2011/65/EU AND ANNEX II AMENDMENT DIRECTIVE (EU)2015/863.

NOTES:

THIS DOCUMENT CONTAINS PROPRIETARY INFORMATION AND SUCH INFORMATION MAY NOT BE DISCLOSED TO OTHERS FOR ANY PURPOSE OR USED FOR MANUFACTURING PURPOSES WITHOUT WRITTEN PERMISSION FROM THE AMPHENOL CORP.

N/A	PRO/ENGINEER INFORMATION
NEXT ASSEMBLY	Pro/e Model Used:
METRIC DOCUMENT	C10-731561-02P.ASSEM
	Drawing Name:
	C10-731561-02P-NEW

UNLESS OTHERWISE SPECIFIED	SPECIFICATIONS	POS	QTY	PART NUMBER	DESCRIPTION	NOTE
LINEAR DIMENSIONS ARE IN: MILLIMETERS TOLERANCES: ANGLES= ±2° DEFAULT LINEAR TOLERANCES SEE TABLE DIM. & TOL. PER ASME Y14.5M-1994; DRW PER MIL-DTL-31000; OTHER AMPHENOL STANDARDS: 9-9318	MATERIAL SPEC.	APPROVALS		DATE	PARTS LIST	
	N/A	PREPARED BY	EVANS JIANG	Jun-02-16	AMPHENOL INDUSTRIAL OPERATIONS Amphenol Technology(Zhuhai)Co.,Ltd No.63, Xingnan Road, Sanzao Town, Jinwan, Zhuhai, PRC	
LEGENDS: △=FLAG NOTE CALL OUT REFERENCE ONLY	PROCESS SPEC.	ENGINEER IN CHARGE	ROB WENG		ELECTRICAL CONNECTOR UPC SERIES 2 PORTS	
	N/A	DESIGN MANAGER	DERIC LI		SIZE	C
		DESIGN ACTIVITY GROUP	C&I		CAGE CODE	77820
		THIRD ANGLE PROJECTION			DOCUMENT NO.	C10-731561-02P()
					REV.	D
					SCALE:	1:5
					REF.	
						SHEET 1 OF 2

DOCUMENT NO. C10-731561-02P()
 SHEET 1 OF 2
 REV. D
 C
 B
 A

REV. D
 SHEET 1 OF 2
 DOCUMENT NO. C10-731561-02P()

C10-731561-02P()

SHEET 2 OF 2

REV. D

MFG PART NUMBER:

C10-731561-02P()

KEYWAY OPTION

- BLANK: W=13
- 1: W=8.5
- 2: W=-8.5
- 3: W=-13

CODE NUMBER (MATCHED WITH MFG PART NUMBER):

UPCR012()LS1

CODE OF KEYWAY OPTION

- A: W=13
- B: W=8.5
- C: W=-8.5
- D: W=-13

SPECIFICATION

CONTACT TEST CURRENT	250 Amps/7.5Amps
OPERATING VOLTAGE	750V VAC MAX
TEST VOLTAGE (SEA LEVEL)	3000 VAC RMS
OPERATING TEMPERATUER	-40C° TO 125C°
NUMBER OF CONTACTS	2&2
CONTACT SIZE	9.1mm/#20
DURABILITY	100 (MIN)
WATER PROOF	IP67 (MATED)
FINGER PROOF	YES
HVIL	OPTIONAL
SALT SPRAY	96H(MATED)
RECOMMENDED TORQUE	M5: 3~5N.M

NOTES:

THIS DOCUMENT CONTAINS PROPRIETARY INFORMATION AND SUCH INFORMATION MAY NOT BE DISCLOSED TO OTHERS FOR ANY PURPOSE OR USED FOR MANUFACTURING PURPOSES WITHOUT WRITTEN PERMISSION FROM THE AMPHENOL CORP.

SIZE C	CAGE CODE 77820	DOCUMENT NO. C10-731561-02P()	REV. D
SCALE: 1.5		REF:	SHEET 2 OF 2

REV. D SHEET 2 OF 2

C10-731561-02P()

REV. D