

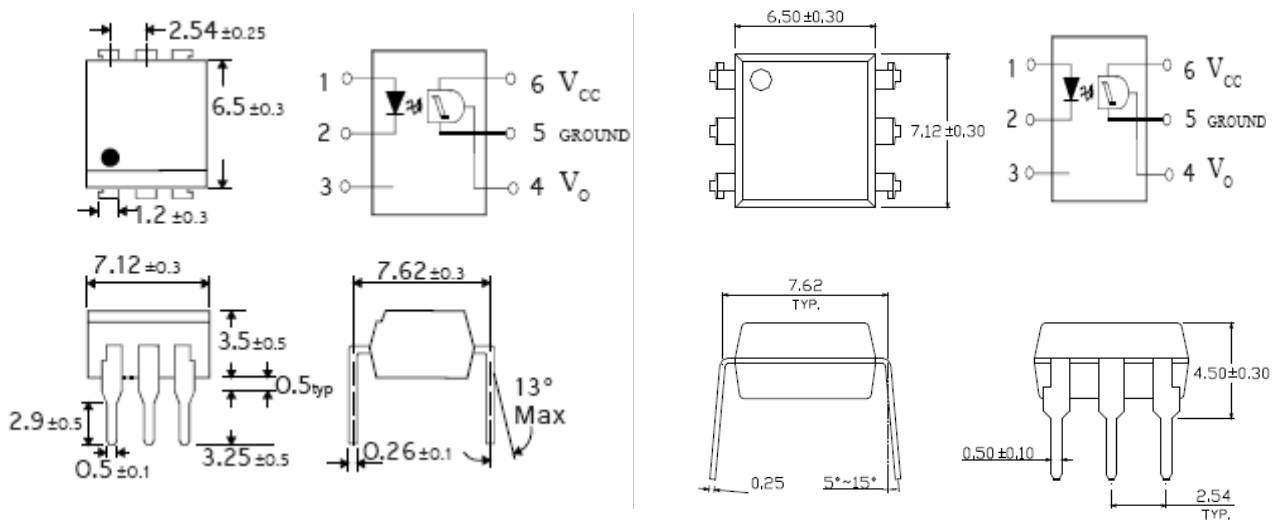


New Mould Tool Announcement April 2010

From April 2010, Isocom Components 2004 Ltd has introduced new mould tools for the manufacture of the Schmitt Trigger output optocouplers. All critical dimensions are identical. UL Safety Approval status has changed from package system "T" to "H11L1" and is in the same file E91231.

The new package allows for a higher operating temperature of 100°C

The main noticeable difference is that the new moulds incorporate a pin 1 identifier which replaces the previous chamfer on the pin 1 side of the device. Drawings of the two packages are shown below



PREVIOUS

NEW

ISOCOM COMPONENTS 2004 LTD

Unit 25B, Park View Road West, Park View Industrial Estate
Hartlepool, Cleveland, TS25 1UD, United Kingdom
Tel: +44 (0)1429 863 609 Fax : +44 (0)1429 863 581
e-mail: sales@isocom.co.uk
<http://www.isocom.com>

ISOCOM COMPONENTS ASIA LTD

Hong Kong Office, 1712-1713
Laurels Industrial Centre, 32 Tai Yau Street,
San Po Kong, Kowloon, Hong Kong.
Tel: +852 2995 9217 Fax : +852 8161 6292
e-mail sales@isocom.com.hk