

647662-1 ✓ ACTIVE

Economy Power

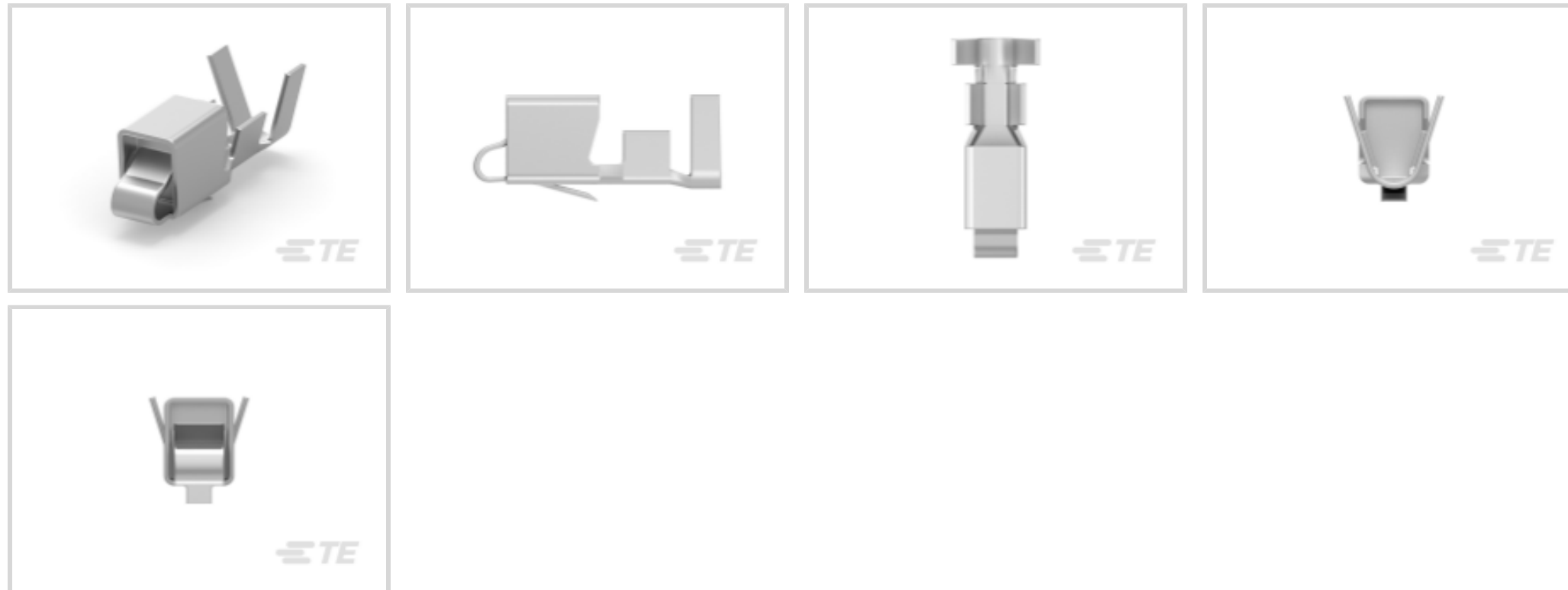
TE Internal #: 647662-1

Tin (Sn), Socket Contact, 250 VAC, 250 VDC, .3 – .89 mm² Wire,
Locking Lance Contact Retention, Discrete Wire, Crimp, Phosphor
Bronze, Economy Power

[View on TE.com >](#)



Connectors > Contacts > Connector Contacts



Contact Type: **Socket**

Contact Mating Area Plating Material: **Tin (Sn)**

Wire Contact Termination Area Plating Material: **Tin**

Operating Voltage: **250 VDC**

Features

Configuration Features

Compatible With Wire & Cable Type

Discrete Wire

Electrical Characteristics

Contact Resistance

20 mΩ

Operating Voltage

250 VDC

Contact Features

Barrel Type

Open

Contact Length

10.6 mm [.417 in]

Contact Type

Socket

Contact Mating Area Plating Material

Tin (Sn)

Wire Contact Termination Area Plating Material

Tin

Contact Retention Within Housing

With

Contact Base Material

Phosphor Bronze

Contact Current Rating (Max)

8 A

Termination Features



Termination Method to Wire & Cable

Crimp

Product Terminates To

Printed Circuit Board

Mechanical Attachment

Contact Retention Type Within Housing

Locking Lance

Dimensions

Wire Size

.3 – .89 mm²

Compatible Insulation Diameter Range

1.7 – 3 mm [.066 – .118 in]

Usage Conditions

Operating Temperature Range

-25 – 105 °C [-13 – 221 °F]

Operation/Application

For Multiple Crimp

No

Circuit Application

Power

Packaging Features

Packaging Quantity

4000

Packaging Method

Box

Product Compliance

For compliance documentation, visit the product page on [TE.com](https://www.te.com)>

EU RoHS Directive 2011/65/EU

Compliant

EU ELV Directive 2000/53/EC

Compliant

China RoHS 2 Directive MIIT Order No 32, 2016

有害物质含量符合标准要求 No Restricted Substance(s) Above Threshold

EU REACH Regulation (EC) No. 1907/2006

Current ECHA Candidate List: JUNE 2025 (250)
Candidate List Declared Against: JUNE 2025 (250)
Does not contain REACH SVHC

Halogen Content

Low Halogen - Br, Cl, F < 900 ppm per homogenous material. Also BFR/CFR/PVC Free

Solder Process Capability

Not applicable for solder process capability

Product Compliance Disclaimer

This information is provided based on reasonable inquiry of our suppliers and represents our current actual knowledge based on the information they provided. This information is subject to change. The part numbers that TE has identified as EU RoHS compliant have a maximum concentration of 0.1% by weight in homogenous materials for lead, hexavalent chromium, mercury, PBB, PBDE, DBP, BBP, DEHP, DIBP, and 0.01% for cadmium, or qualify for an exemption to these



limits as defined in the Annexes of Directive 2011/65/EU (RoHS2). Finished electrical and electronic equipment products will be CE marked as required by Directive 2011/65/EU. Components may not be CE marked. Additionally, the part numbers that TE has identified as EU ELV compliant have a maximum concentration of 0.1% by weight in homogenous materials for lead, hexavalent chromium, and mercury, and 0.01% for cadmium, or qualify for an exemption to these limits as defined in the Annexes of Directive 2000/53/EC (ELV). Regarding the REACH Regulation, the information TE provides on SVHC in articles for this part number is based on the latest European Chemicals Agency (ECHA) 'Guidance on requirements for substances in articles' posted at this URL: <https://echa.europa.eu/guidance-documents/guidance-on-reach>

Compatible Parts



TE Part # 2151113-2
 OCEAN_2.0_APPLICATOR-S-070F102F-RSA

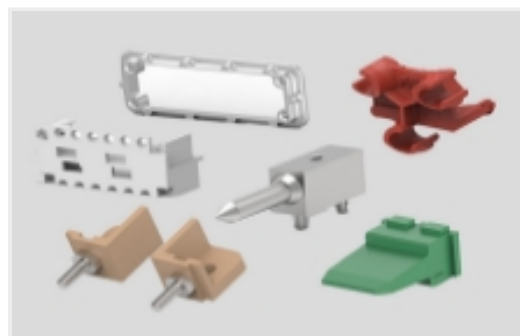


TE Part # 2151113-1
 OCEAN_2.0_APPLICATOR-S-070F102F-RSM

Also in the Series | Economy Power



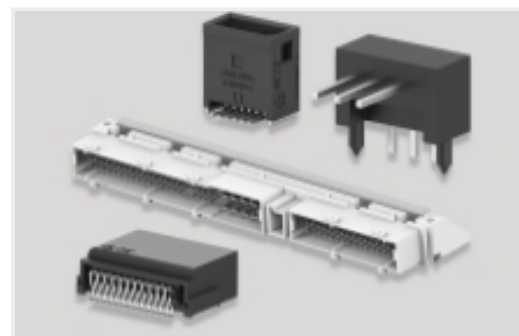
Connector Contacts(15)



Connector Hardware(2)



Insertion & Extraction Tools(1)



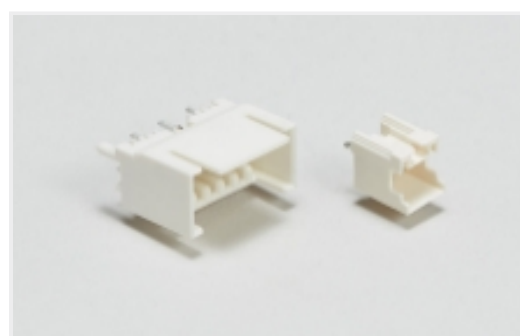
PCB Headers & Receptacles(483)



Power Contacts(9)



Rectangular Power Connectors(581)



Wire-to-Board Headers & Receptacles (483)

Customers Also Bought



TE Part #149653P001
RNF-150-1/4-0-1IN-T.031



TE Part #60650-1
250 FASTON FLAG REC 18-14 AWG
BR



TE Part #63127-1
250 FASTON REC 22-18 AWG BR



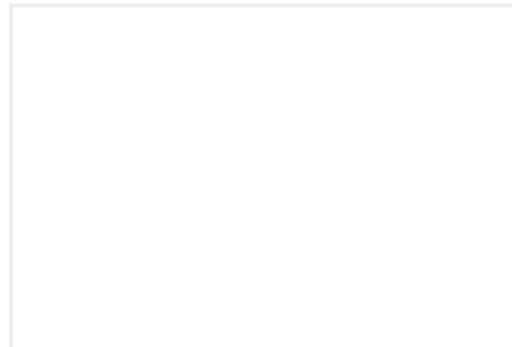
TE Part #521367-2
ULTRA-POD 250 ASSY REC 18-14
AWG TPBR



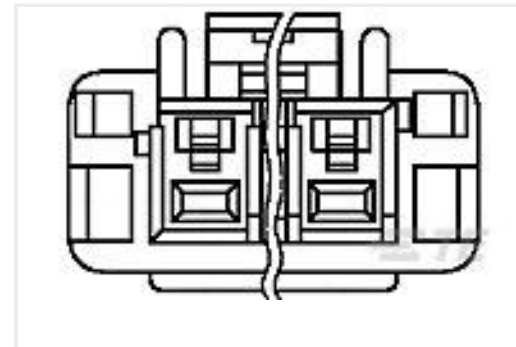
TE Part #3-647449-1
SL156 RCPT, SPCL LUBE, LF



TE Part #770849-9
09P SL156 HSG W/LCK RMP & TABS



TE Part #794991-1
02P UMNL BLACK INTERFACE SEAL



TE Part #1376393-1
5MM POWER KEY 6P PLUG HSG NUT



TE Part #5-1971772-3
PTL 1X3 CAP PANEL MT HITEMP KEY
A LGR



TE Part #5-1971773-3
PTL 1X3 PLUG HSG HIGH TEMP KEY
A LGR

Documents

Product Drawings

[EP CONN CONT LUBRICANT SPCL](#)

English

CAD Files

[3D PDF](#)

3D

Customer View Model

[ENG_CVM_CVM_647662-1_A.2d_dxf.zip](#)

English

Customer View Model

[ENG_CVM_CVM_647662-1_A.3d_igs.zip](#)

English

Customer View Model

[ENG_CVM_CVM_647662-1_A.3d_stp.zip](#)

English

By downloading the CAD file I accept and agree to the [Terms and Conditions](#) of use.

Product Specifications



[Application Specification](#)

Japanese

[Application Specification](#)

English