

TECHNICAL DATA

Motor Type – 555 Series

Voltage – 24v DC

Motor Resistance at 21°C. –
9.6 Ohms

Input Power at 24v DC –
2.52 Watts

Nominal Current at 24v DC –
0.12 Amps

Stall Current at 24v DC –
2.2 Amps

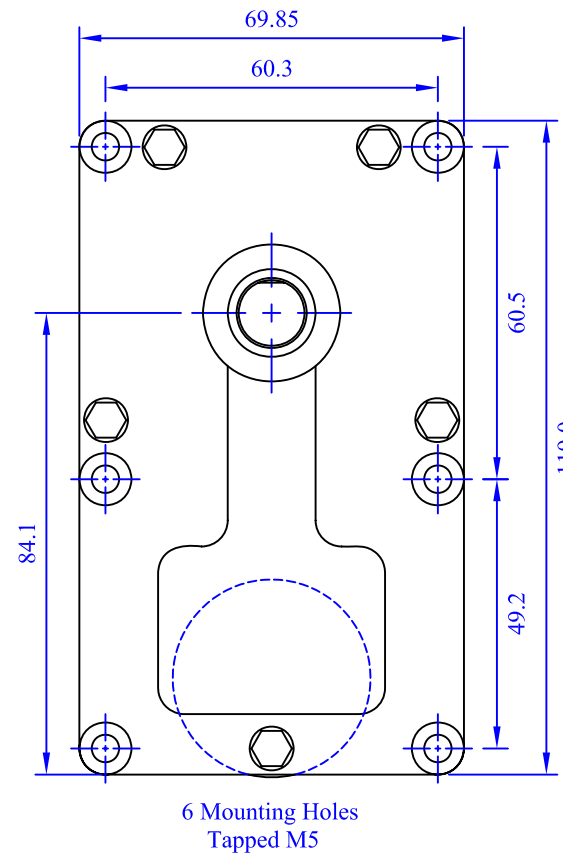
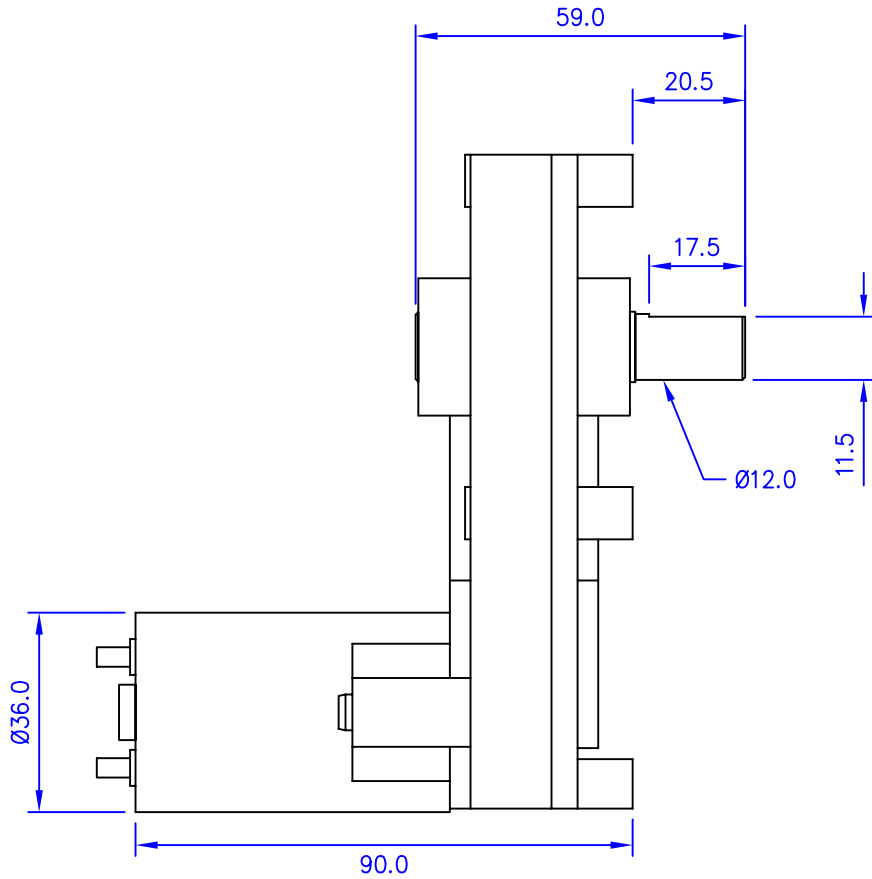
Output torque (stall) at 24v DC –
160 Kg/cm

Thermal Protection –
No Thermal Protection

Duty Cycle – Continuous

No Load Speed at 24v DC –
5.3rpm.

Output Shaft Rotation when viewed
from front – CW/CCW.



LABEL DETAILS

Job No.	RS	RoHS
	DATE	✓
	8776257	
	24V DC	5.3rpm

Dimensions in mm

MELLOR ELECTRICS Ltd
BLACKBURN ENGLAND

DESCRIPTION	T3 DC 5.3rpm 24v DC 555 Series	DRAWN	LC	20/03/15
CUSTOMER	RS COMPONENTS	PART No	FBD1023	