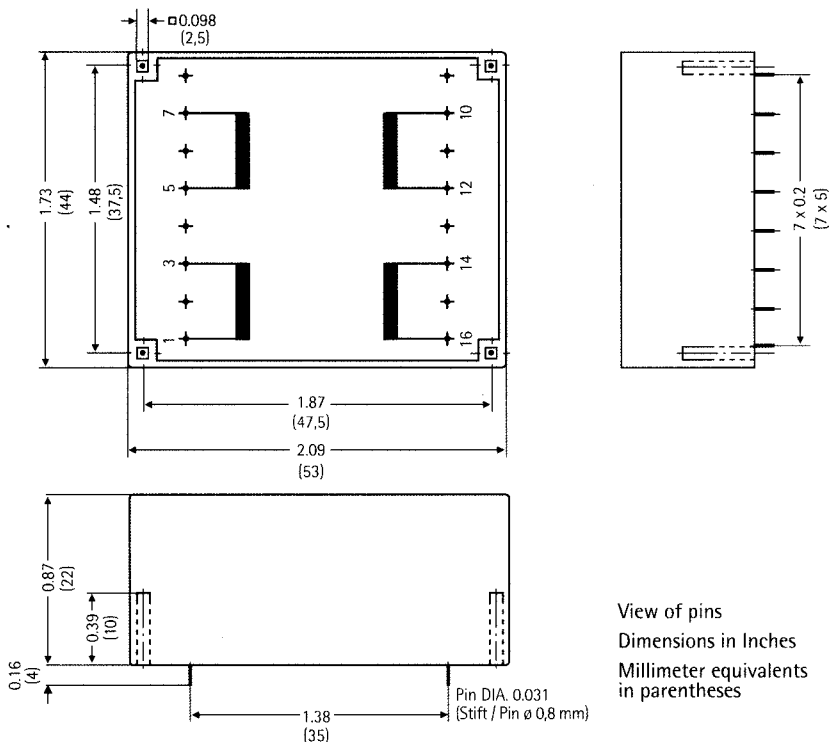


Type UI 30/10,5 6 VA

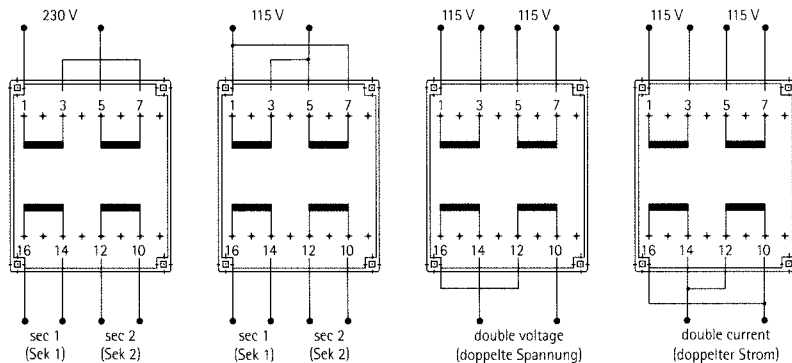
Range available ex stock*

VDE 0551/EN 60742
 Potted under vacuum
 Split-bobbin transformers
 Temperature class t_a 40°C/E

- * Other primary and secondary voltages on request
- * Other temperature classes on request
- * CCA-Certificate available
- * Weight 0,175 kg
- * Fixing material for $\square 0,098$ inch (2,5 mm):
 Self-tapping screws DIN 7513 (M 3 x 8...)
 Sheet-metal screws DIN 7971 (2,9 x 6,5...)



Connection possibilities



	Primary	Pin	Secondary	No-Load Voltage	Pin	Types Ref. No.	Approvals
	2x 115 V	1-3/7-5	6 V 500 mA/ 6 V 500 mA	8,50 V/ 8,50 V	10-12/16-14	BV 030-7004.0 L	1 · 2 · 3 · 4 · 5 · 10
RS 207-5797	2x 115 V	1-3/7-5	9 V 333 mA/ 9 V 333 mA	12,70 V/12,70 V	10-12/16-14	BV 030-7007.0 L	1 · 2 · 3 · 4 · 5 · 10
RS 207-5804	2x 115 V	1-3/7-5	12 V 250 mA/12 V 250 mA	16,30 V/16,30 V	10-12/16-14	BV 030-7010.0 L	1 · 2 · 3 · 4 · 5 · 10
RS 207-5810	2x 115 V	1-3/7-5	15 V 200 mA/15 V 200 mA	20,30 V/20,30 V	10-12/16-14	BV 030-7013.0 L	1 · 2 · 3 · 4 · 5 · 10
RS 207-5832	2x 115 V	1-3/7-5	18 V 166 mA/18 V 166 mA	24,30 V/24,30 V	10-12/16-14	BV 030-7016.0 L	1 · 2 · 3 · 4 · 5 · 10
RS 207-5848	2x 115 V	1-3/7-5	21 V 142 mA/21 V 142 mA	28,30 V/28,30 V	10-12/16-14	BV 030-7019.0	2 · 3 10

Specifications subject to change without notice.

