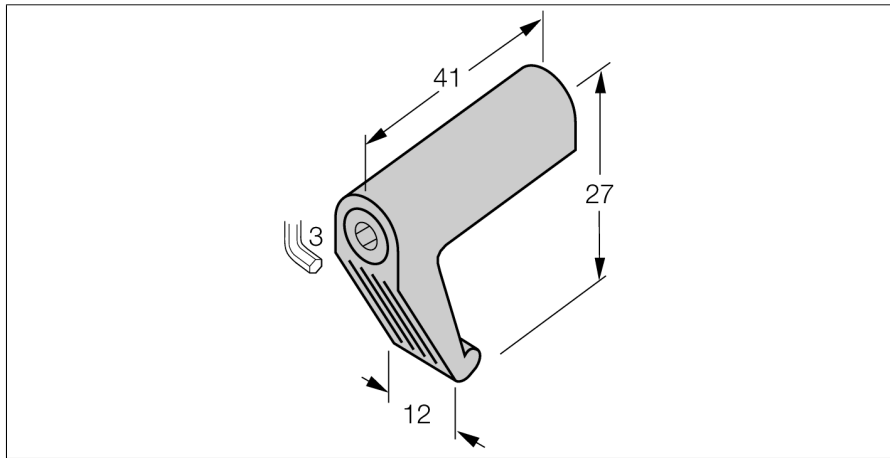
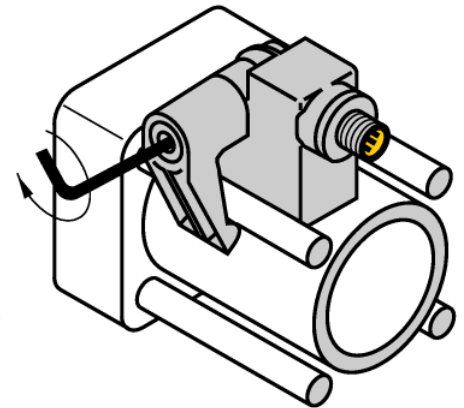


**Accessories  
for tie-rod cylinders  
KLI3**



Mounting accessories for magnetic-inductive sensors for mounting on tie-rod cylinders with diameters of 63...160 mm, die-cast zinc



**Type designation**  
Ident no.

KLI3  
69712

**Design**

Dimensions  
Housing material  
Fixing clamp for correspondent cylinder diameter  
Clamping width min.  
Max.clamp width

Accessories for rectangular sensor, IKE, IKT, IKM  
41 x 27 x 12 mm  
Metal, GD-Zn  
63 ... 160 mm  
6 mm  
16 mm

