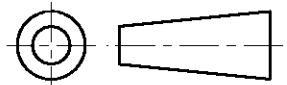


DO NOT SCALE
DIMENSIONS IN mm

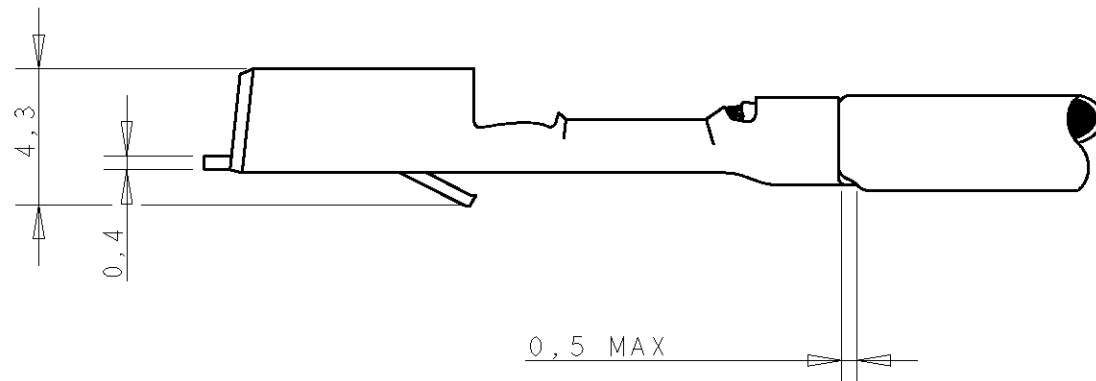
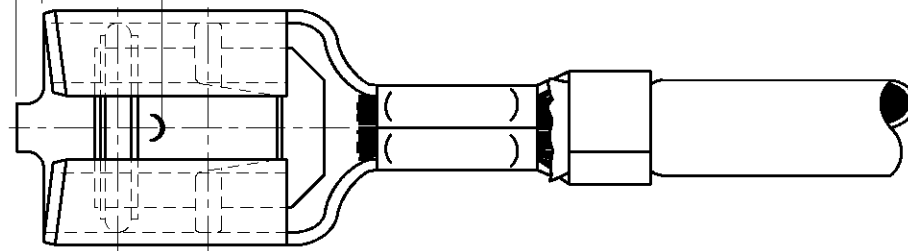
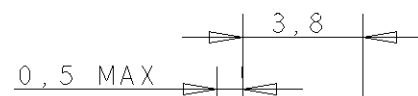
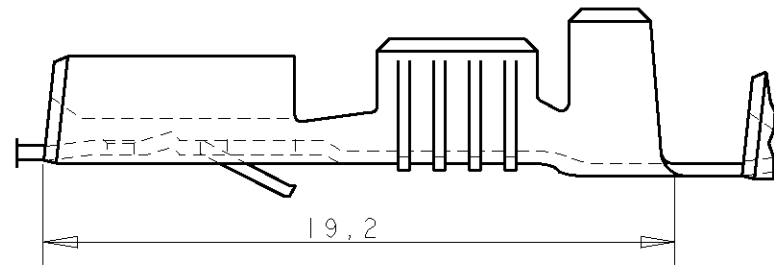
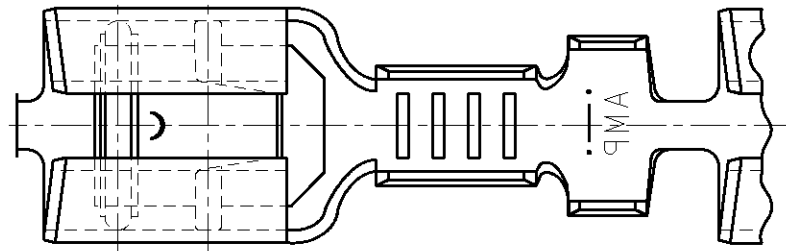
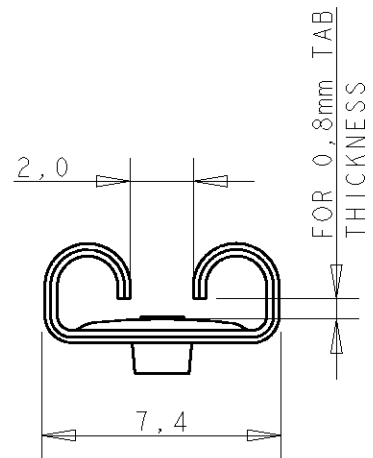
METRIC

THIRD ANGLE
PROJECTION



NOTES

- 1. FOR USE ON MINIATURE APPLICATORS (LEFT-RIGHT FEED) AND STANDARD APPLICATORS (RIGHT-LEFT FEED).
- 2. REELED WITH PAPER AND PAPER COVER.
- 3. OBSOLETE PARTS: OBSOLETE CIS STREAMLINING PER D.RENAUD/D.SINISI



WIRE RANGE :
>1,0-2,5 mm²
INSULATION RANGE :
2,1-3,1 DIA.

GENERAL TOLERANCES ±0.3

NOTES	FINISH	MATERIAL	PARTNUMBER
OBSOLETE 3	PRE-TINPLATED	PH.BRONZE	6-160917-8
	PRE-TINPLATED	BRASS	6-160917-7
	TINPLATED	PH.BRONZE	160917-4
	UNPLATED	PH.BRONZE	160917-3
	TINPLATED	BRASS	160917-2
	UNPLATED	BRASS	160917-1

REVISION RECORD					CUSTOMER DRAWING		FOR REFERENCE ONLY WILL NOT BE UPDATED	
LTR.	REVISION RECORD	DR.	CHK.	DATE	NAME	.250 SRS FASTIN-ON RECEPTACLE.		
E2	REVISED PER ECO-09-022178	KK	AEG	29SEP09		© COPYRIGHT 19- BY AMP HOLLAND B.V. ALL INTERNATIONAL RIGHTS RESERVED. AMP PRODUCTS MAY BE COVERED BY U.S. AND FOREIGN AND/OR PATENTS PENDING. THIS DRAWING IS UNPUBLISHED RELEASED FOR PUBLICATION JULY, 19 87		
E1	4.3±0.3 was 4.1±0.3	J.L	J.L	0ct 2005		AMP Tyco Electronics AMP Barcelona, Spain		
E	ES00-0008-03	JL	JL	17JAN03				
D	ES00-0065-01	JC	JL	19JUN01				
C	ES00-0043-01	JC	RS	4MAY01				
B	H-9844	JvdH	AB	26-05-92				
DR.: R.V.LOKVEN. CHK.: A.BIJNEN. APP.: L.V.SOEST. DWG.No. 160917					REV.LTR. E2		SHEET 1 OF 1	
DATE: 31-07-87 DATE: 10-08-87 DATE: 25-08-887							A3	