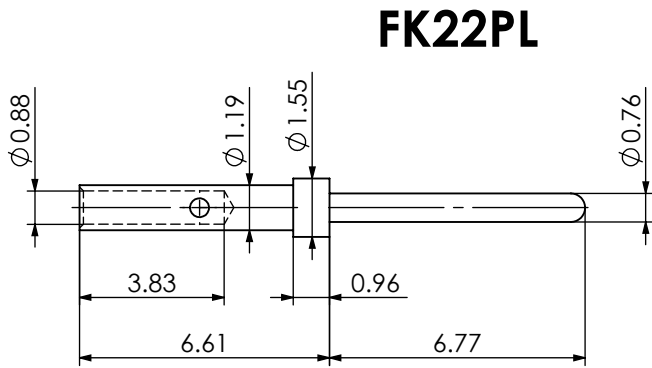
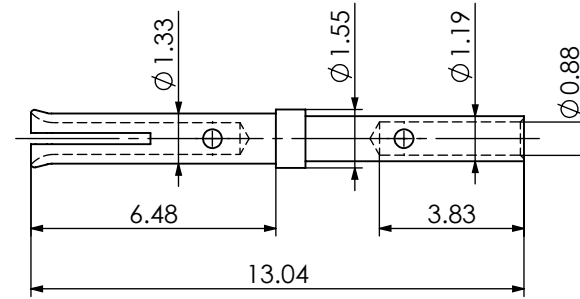


COMMENT:
 ALL RIGHTS ARE RESERVED BY US FOR THIS DRAWING. WITHOUT OUR PRIOR CONSENT,
 IT MAY NEITHER BE DUBLICATED NOR MADE AVAILABLE TO A THIRD PARTY,
 AND IT ALSO MAY NOT BE IMPROPERLY USED BY TE RECEIVER, OR A THIRD PARTY.

**AWG
22-28**



FK22SL



Packing unit



Crimping Tools see catalogue.

FK22SL-08V_0078	1731121741	Copper alloy	0.8µm Au (over Ni)
FK22PL-08V_0078	1731121748	Brass	
<i>Part No.</i>	<i>MATERIAL NO.</i>	<i>Material</i>	<i>Surface plating/Colour/Class</i>

SYMBOLS = 0 = 0 = 0 = 0 = 0 = 0 = 0 = 0	THIS DRAWING CONTAINS INFORMATION THAT IS PROPRIETARY TO MOLEX ELECTRONIC TECHNOLOGIES, LLC AND SHOULD NOT BE USED WITHOUT WRITTEN PERMISSION			<h1>molex</h1> Machined contacts for HD Crimp Connectors PRODUCT CUSTOMER DRAWING
	DIMENSION UNITS	SCALE	MEASUREMENTS WITHOUT TOLERANCE ACC. TO ISO 2768-m	
	mm	2:1		
	CURRENT REVISION			
	DRWN: DRAWN BY tschneider01 08-07-2019			
	APPR: APPR BY MTeubel 08-07-2019			
	INITIAL REVISION			
1		DRWN: DRAWN BY tschneider01 08-07-2019		
REV.	CH.-NO.	APPR: APPR BY MTeubel 08-07-2019		
REPLACEMENT FOR:		THIRD ANGLE PROJECTION	DRAWING	
			A4-SIZE	
		DOCUMENT NUMBER	CUSTOMER	
		FK22-xx_0078_D	GENERAL MARKET	
		MATERIAL NUMBER	SHEET NUMBER	
		see table	1	
		1 OF 1		