

22MM PLASTIC ROUND COMPLETE UNIT
 COMBINATION: INDICATOR LIGHT WITH SMOOTH
 LENSE ILLUMINATED WITH LAMP HOLDER BA 9S WITH
 LAMP 130V AC/DC SCREW TERMINAL OPERATIONAL
 VOLTAGE 220/230V AC WITH HOLDER YELLOW

Actuator:		
Design of the operating mechanism		indicator light
Front ring:		
Product component / front ring		No
Color / of the front ring		black
Enclosure:		
Shape / of the housing front		round
material / of the housing		plastic
General technical details:		
Number of control points		0
Type of voltage		AC/DC
<ul style="list-style-type: none"> • of the operating voltage • of the supply voltage • of the fluorescent material 		AC
Operating voltage / rated value		
<ul style="list-style-type: none"> • minimum • maximum 	V	5 400
Supply voltage / 1		
<ul style="list-style-type: none"> • of the fluorescent material • at 60 Hz / for AC / rated value • at 50 Hz / for AC / rated value 	V	230 230
Design of the electrical connection		screw-type terminals
Number of switching positions		0
Product component / fluorescent materials		Yes
Product extension / optional / fluorescent materials		Yes
Resistance against shock		
<ul style="list-style-type: none"> • for devices with incandescent lamp / according to IEC 60068-2-27 		<= 30g
Resistance against vibration / according to IEC 60068-2-6		20 ... 200 Hz: 5g

Operating cycles / maximum	1/h	1,000
Item designation		
<ul style="list-style-type: none"> • according to DIN EN 61346-2 • according to DIN 40719 extendable after IEC 204-2 / according to IEC 750 		P H

Auxiliary circuit:

Number of NC contacts / for auxiliary contacts		0
Number of NO contacts / for auxiliary contacts		0
Number of change-over switches / for auxiliary contacts		0

Installation/mounting/dimensions:

Execution of the mounting		BA 9s, with lamp
Type of mounting		front mounting
Shape / of the installation hole		round
Installation width	mm	28
Mounting diameter	mm	22
Mounting height	mm	11
Tightening torque / of the screws in the bracket / maximum	N-m	1

Ambient conditions:

Ambient temperature		
<ul style="list-style-type: none"> • during operating • during storage 	°C	-25 ... 60 -40 ... 80
Protection class IP		IP66

Certificates/approvals:

General Product Approval



CQC



CSA

[ROSTEST](#)



UL

Test Certificates

[Manufacturer](#)

Shipping Approval



ABS



BUREAU
VERITAS



DNV



LRS



PRS



RINA

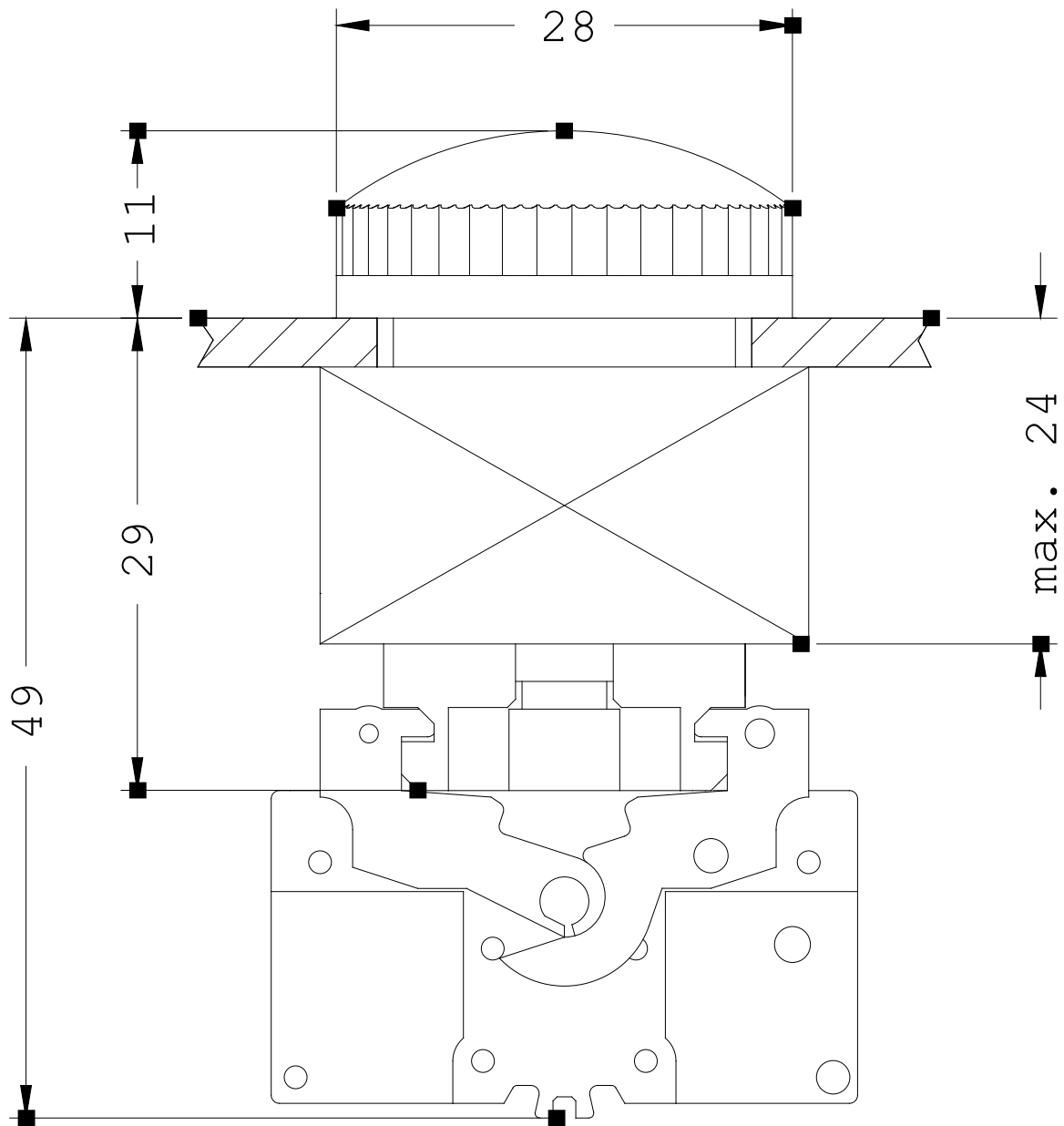
other

[Manufacturer](#)

Further information:

Information- and Downloadcenter (Catalogs, Brochures,...)

<http://www.siemens.com/industrial-controls/catalogs>



last change:

Oct 31, 2011