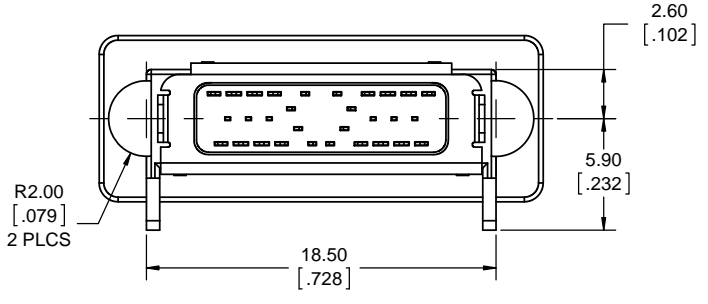
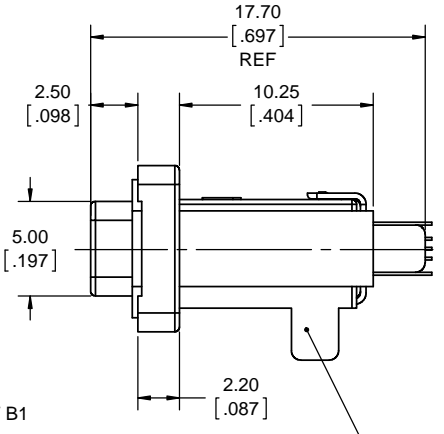
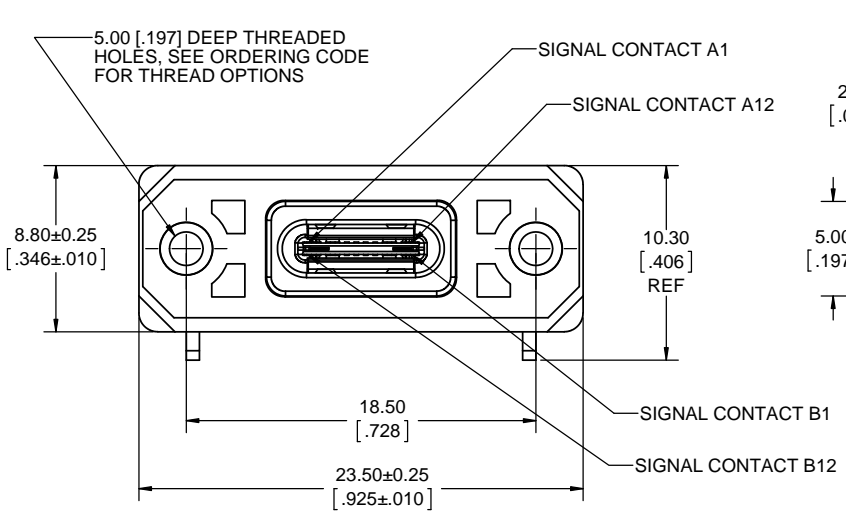


REVISIONS			
REV	DESCRIPTION, ECN, EAR NO.	DATE	APP'D
D	PROPOSAL DRAWING EAR 14368	SEP16/15	K.L.



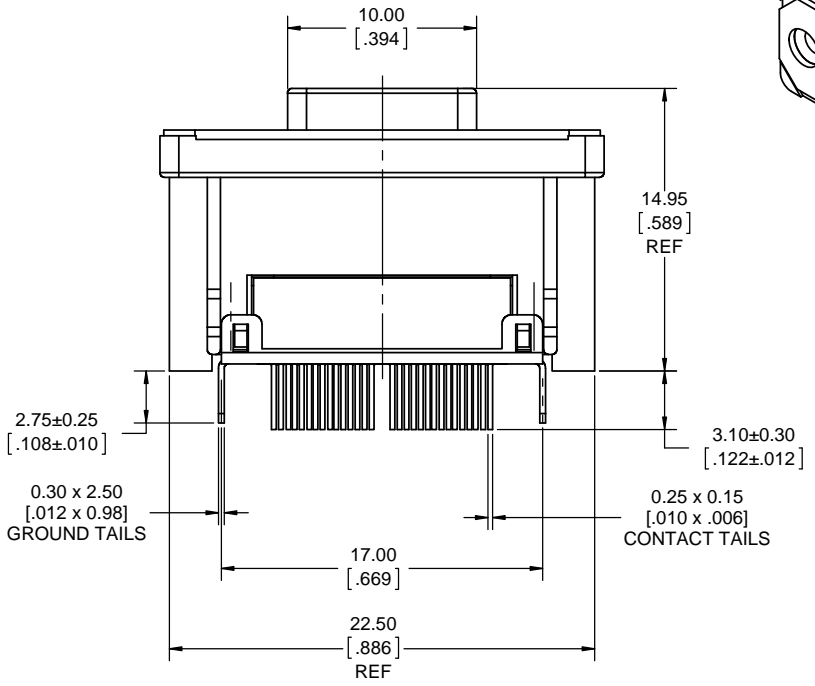
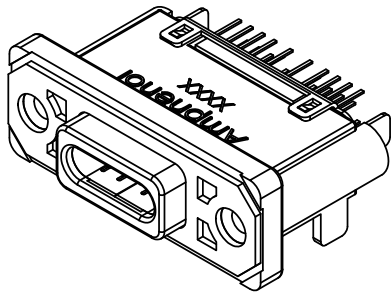
ORDERING CODE: M U S B R - M 5 C 1 - X 0

SERIES, RUGGED USB

USB TYPE 'C' RECEPTACLE, SINGLE PORT, VERTICAL PCB TAILS, 24 CONTACTS

MOUNTING HOLE THREAD OPTION:
 3 = #2-56 UNC THREAD
 M = M2.5 X 0.45 THREAD

STANDARD, NO DUST COVER



NOTES:

- MATERIAL:**
 ALL MATERIALS ARE RoHS COMPLIANT PER EU DIRECTIVE 2011/65/EU AND AMENDMENTS
 - OUTER SHELL: DIECAST ZINC ALLOY, MATTE TIN OVER NICKEL PLATING
 - CONTACTS: COPPER ALLOY, PLATED WITH 0.76µm [30µ"] MINIMUM GOLD OVER 1.27µm [50µ"] MINIMUM NICKEL ON THE MATING AREA WITH MATTE TIN OVER NICKEL ON THE TAILS
 - USB HOUSING: ENGINEERING THERMOPLASTIC, HIGH TEMPERATURE RESISTANT, FLAMMABILITY RATING UL94V-0, BLACK
 - USB SHIELD: STAINLESS STEEL, PASSIVATED
 - REAR COVER: STAINLESS STEEL, MATTE TIN OVER NICKEL PLATING
 - GASKET: CONDUCTIVE SILICONE RUBBER, BLACK
- ENVIRONMENTAL PERFORMANCE PER IEC 60529 CODE IP67 FOR SEAL BETWEEN MATING AREA AND PCB SIDE OF CONNECTOR. GASKET PROVIDES SEAL TO INSIDE FACE OF ENCLOSURE PANEL.**
- CURRENT RATING: COLLECTIVELY 5A MAX. FOR PINS A4, A9, B4 & B9 PLUS 1.25A MAX. FOR PIN B5 WITH RETURN PATH SHARED THROUGH PINS A1, A12, B1 & B12. ADDITIONAL POSITIONS 0.25A MAX. EACH.**
- CONTACT RESISTANCE: 40 MILLIOHMS MAXIMUM INITIAL.**
- OPERATING TEMPERATURE: -40°C TO +105°C.**



UNLESS SPECIFIED OTHERWISE	DRAWN	J. FISHER	MAR25/15
PRIMARY UNITS MILLIMETERS	CHECKED	K. LAMBIE	MAR26/15
SECONDARY INCHES	M.E. APP'D		
REFERENCE IN PARENTHESES	Q.A. APP'D		
GENERAL TOLERANCES	DWG APPR.		
1 DECIMAL PLACE	ENG. REL. NO.	EAR 14354	
2 DECIMAL PLACES ±0.15	REF.		
3 DECIMAL PLACES ±0.05	THIRD ANGLE PROJECTION		
ANGULAR DEGREES	DO NOT SCALE DRAWING		

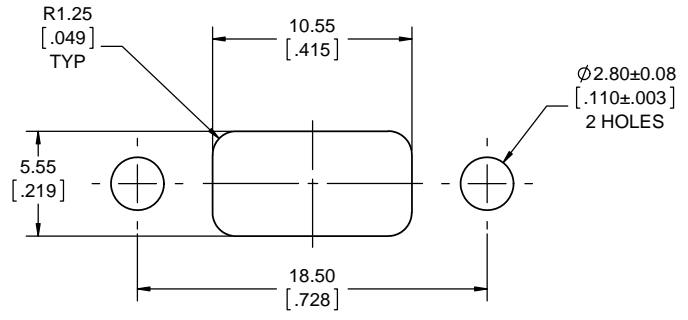
Amphenol Canada Corp.
 www.amphenolcanada.com

RUGGED USB TYPE 'C' RECEPTACLE, VERTICAL PCB MOUNT, RoHS COMPLIANT

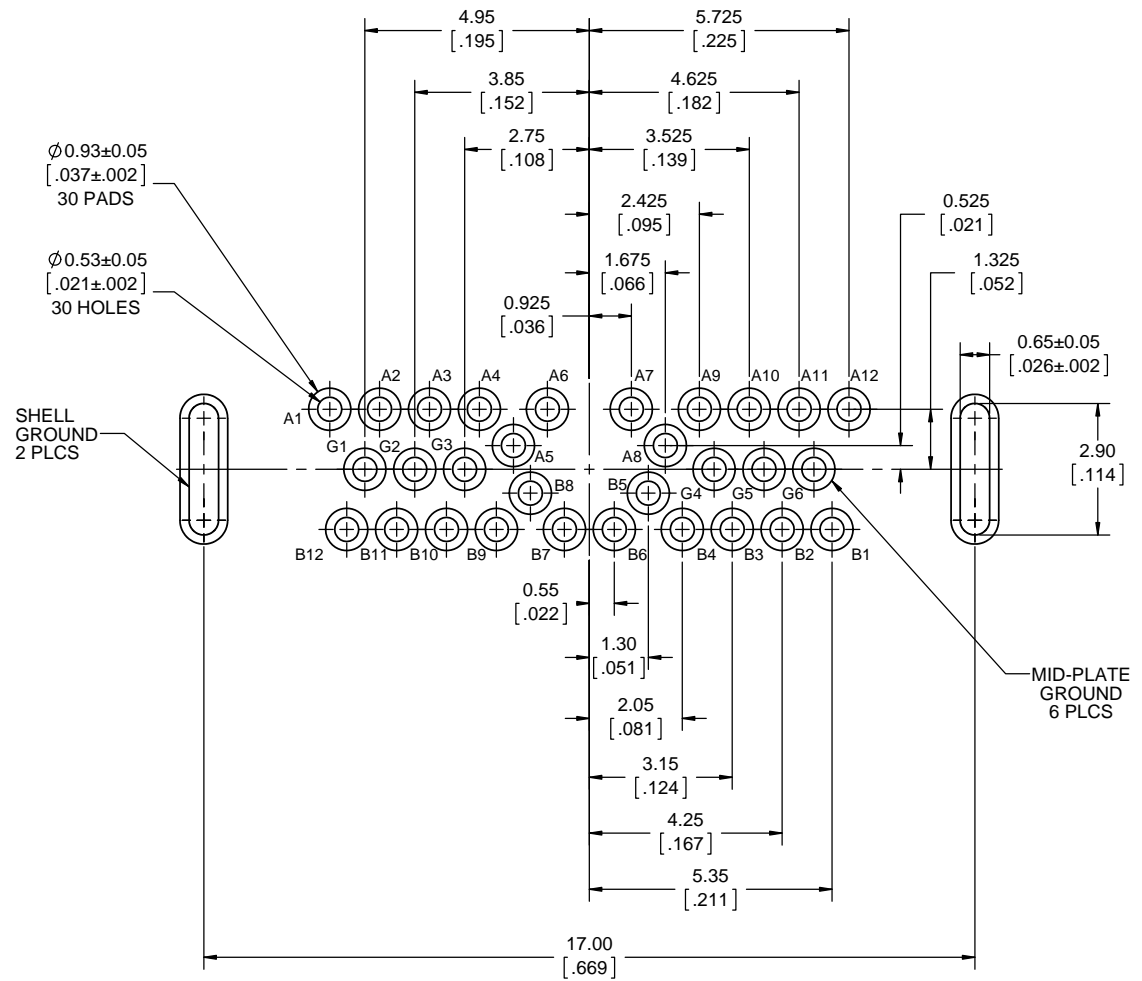
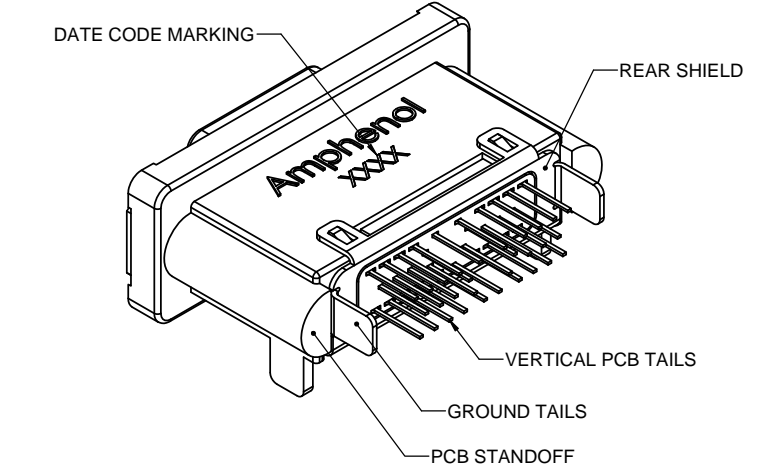
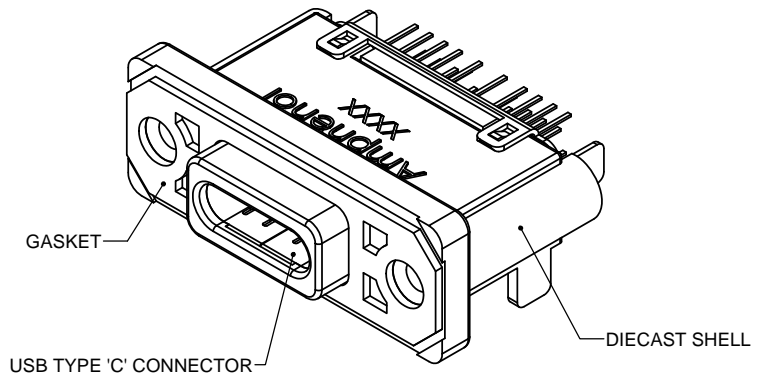
DWG. NO. **P-MUSBR-M5C1-X0** REV **D**

CODE ID NO. 03554 DWG SIZE: X SCALE: 5:1 SHEET 1 OF 2

REVISIONS			
REV	DESCRIPTION, ECN, EAR NO.	DATE	APP'D
D	PROPOSAL DRAWING EAR 14368	SEP16/15	K.L.



RECOMMENDED PANEL CUTOUT
OUTSIDE VIEW OF PANEL



RECOMMENDED PCB LAYOUT
COMPONENT SIDE OF BOARD



UNLESS SPECIFIED OTHERWISE	DRAWN	J. FISHER	MAR25/15
PRIMARY UNITS MILLIMETERS	CHECKED	K. LAMBIE	MAR26/15
SECONDARY UNITS INCHES	M.E. APP'D		
REFERENCE IN PARENTHESES	Q.A. APP'D		
GENERAL TOLERANCES	DWG APPR.		
1 DECIMAL PLACE	ENG. REL. NO.	EAR 14354	
2 DECIMAL PLACES ±0.15	REF.		
3 DECIMAL PLACES ±0.05	THIRD ANGLE PROJECTION		
ANGULAR DEGREES	DO NOT SCALE DRAWING		

Amphenol Canada Corp.
www.amphenolcanada.com

RUGGED USB TYPE 'C' RECEPTACLE, VERTICAL PCB MOUNT, RoHS COMPLIANT

DWG. NO. **P-MUSBR-M5C1-X0** REV **D**

CODE ID NO. 03554 DWG SIZE: X SCALE: 5:1 SHEET 2 OF 2