

EC centrifugal blower

Dual inlet, Ø 133, linear control 0-10 V / PWM

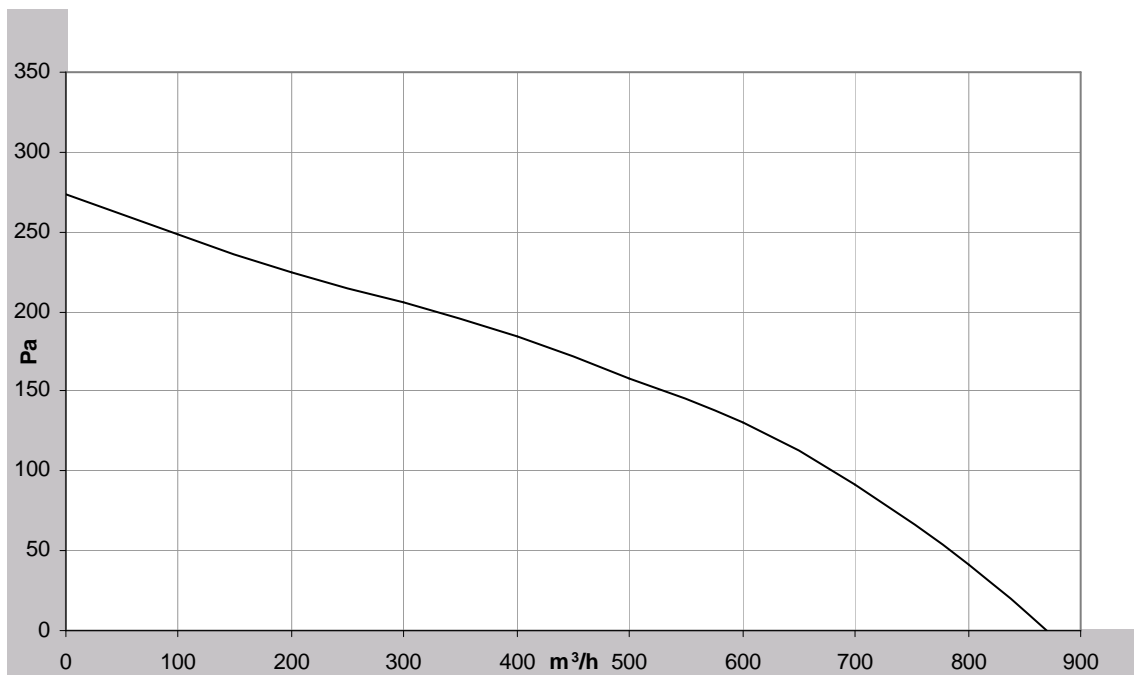


- **Material:** scroll housing and impeller made of galvanised sheet steel
- **Technical Features:** electronics integrated in the motor, PWM/linear input, alarm relay
- **Bearings:** maintenance-free ball bearings
- **Direction of rotation:** clockwise
- **Mounting:** either SAL (standard external-rotor) motor mounted via brackets on one side of the scroll housing, or, EW-motor anti-vibration mounted on both sides.

ebm-papst UK

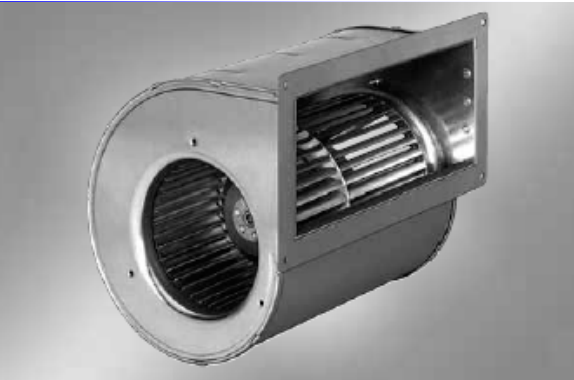
Nominal data		Voltage	Frequency	Airflow	Speed/rpm	Power Input	Current Draw	Ingress Protection	Max. Ambient	Mass	Capacitor Size	Insulation Class	Min. back pressure
Type	Motor	VAC	Hz	m ³ /h	Min ⁻¹	W	A	IP	°C	kg	uF	Ins.	Pa
D3G133-BF03-06	M3G055CF	200-277	50/60	890	1250	86	0.64	IP42	40	3.1	-	B	0

Characteristics



EC centrifugal blower

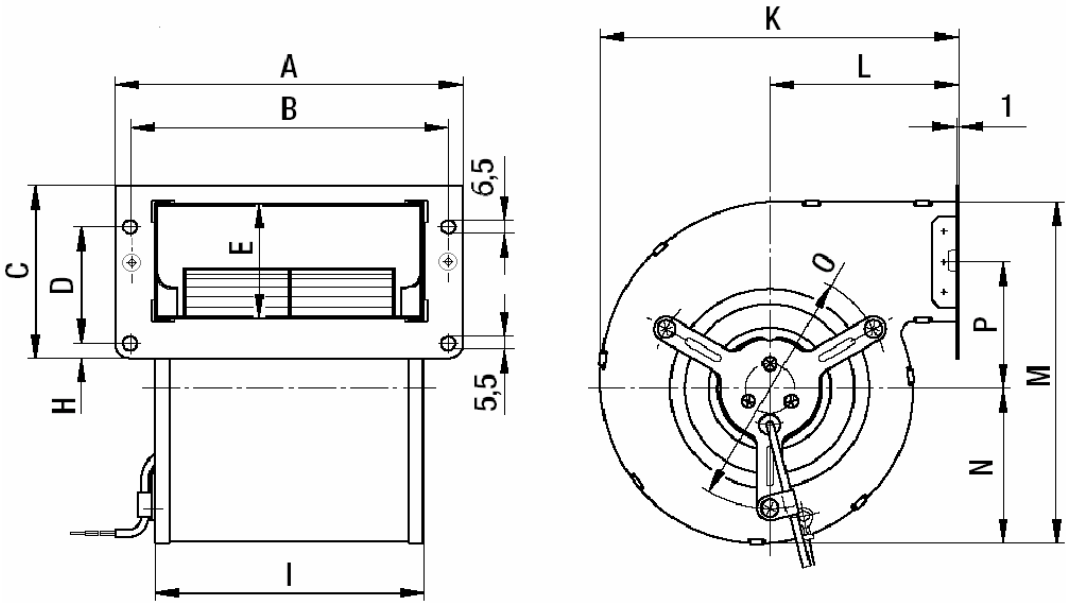
Dual inlet, Ø 133, linear control 0-10 V / PWM



Dimensions

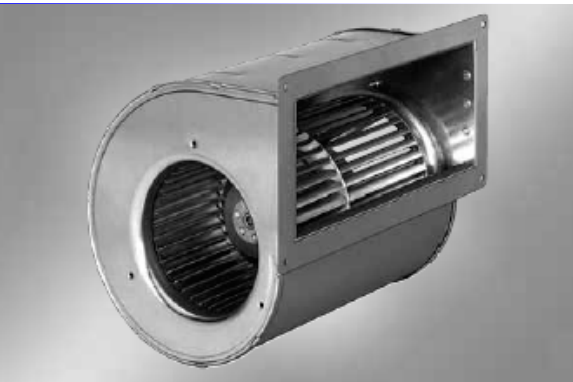
Type	A	B	C	D	E	H	I	K	L	M	N	O	P
D3G133-BF03-06	270	254	126.8	78	102	8	232	204	97	213	98	145	67.5

Detail Drawing for indication purposes only.



EC centrifugal blower

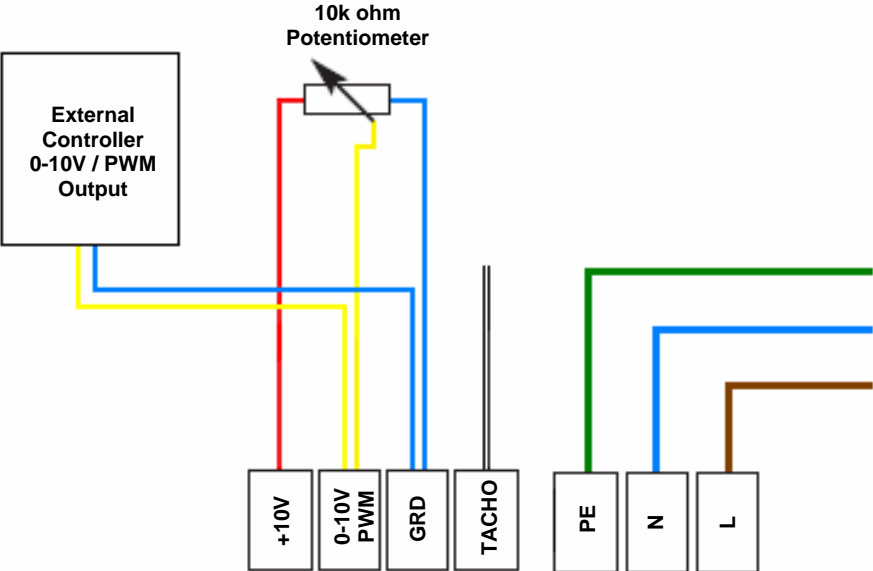
Dual inlet, Ø 133, linear control 0-10 V / PWM



Acoustic Data (Hz)

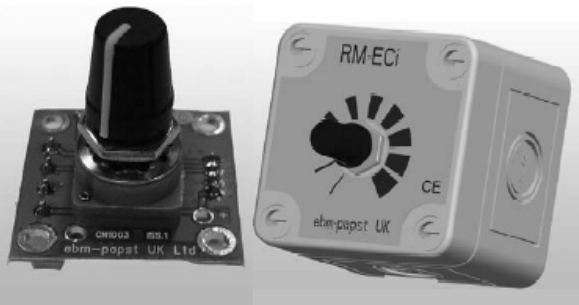
Type	125	250	500	1k	2k	4k	8k	16k	Max dB(A)
D3G133-BF03-06	42.2	52.0	46.4	48.0	47.2	45.3	40.9	32.9	58.0

Connection Options



Accessories

ECi Controllers



General remarks: ECi controllers are designed for use with the full range of ebm-papst ECi (Electronically Commutated with integrated electronics) fans, they are powered via the DC output from the fan and provide a 0-10V signal to enable infinitely variable speed control. The controllers also enable speed measurement of the fan using a multimeter with a frequency measuring facility (where a tacho output is provided from the fan).

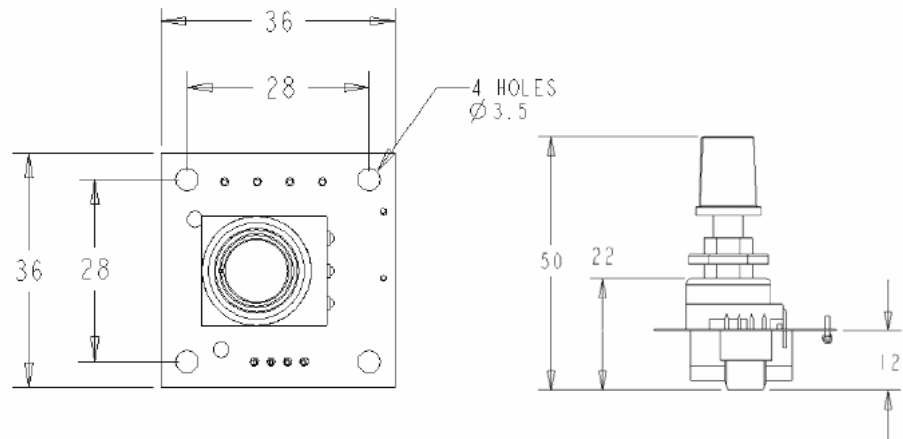
Specification: Input voltage 10 VDC (supplied from fan); Maximum ambient temperature 50°C; CN1003 controller: Mounting hole diameter 10mm; Output voltage range 0-10 VDC. RM-ECi controller: IP rating IP54; cable entries 4 x M16 or M20; mounting holes suitable for 4mm fixing; Output voltage range 0-10 VDC.

ebm-papst UK

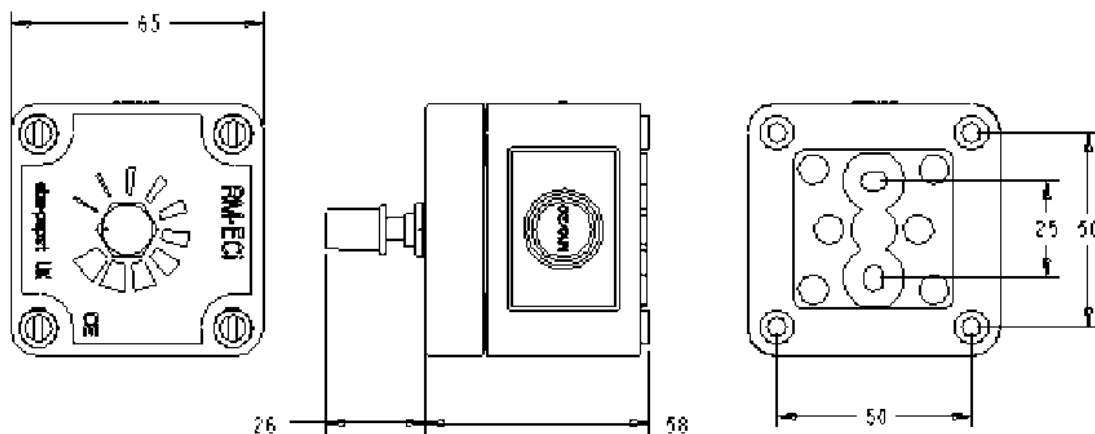
Nominal data	Supply Voltage	Current Draw	Max. Ambient	Mass
Type	VDC	A	°C	kg
CN1003	10	1.1	50	0.05
RM-ECi	10	1.1	50	0.1

Dimensions

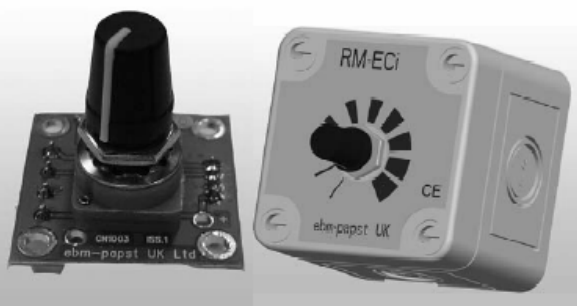
CN1003



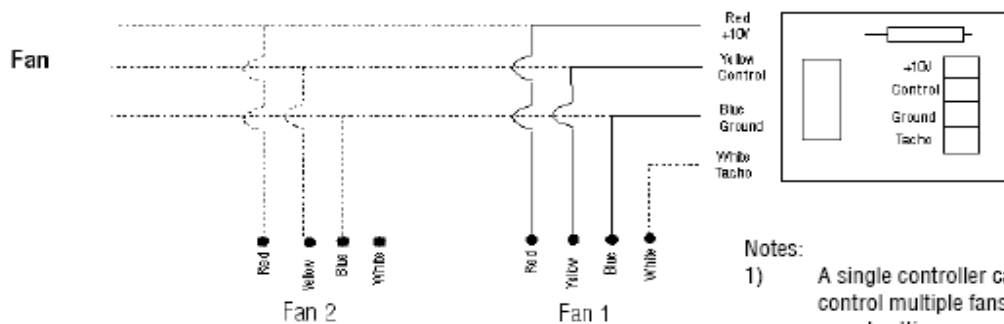
RM-ECi



ECi Controllers



Wiring details



Notes:

- 1) A single controller can be used to control multiple fans at the same speed setting
- 2) Connection to the controller is via four screw terminals or a Molex connector (range of connection leads available)
- 3) When the tacho wire is required this can only be connected to one fan (see note A).

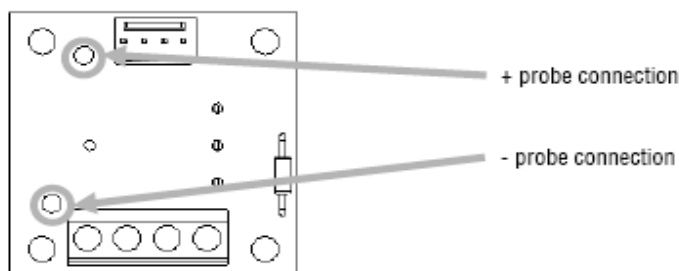
Installation

- 1) Install in a dry sheltered position. Do not install in close proximity to heat sources
- 2) The maximum ambient temperature of the controller must not exceed 50°C

Speed measurement

Connect a multimeter set to measure frequency on the probe points (marked + and -) on the PCB. The fan provides 1 pulse per revolution so the measured frequency can be converted to rpm using the following equation:

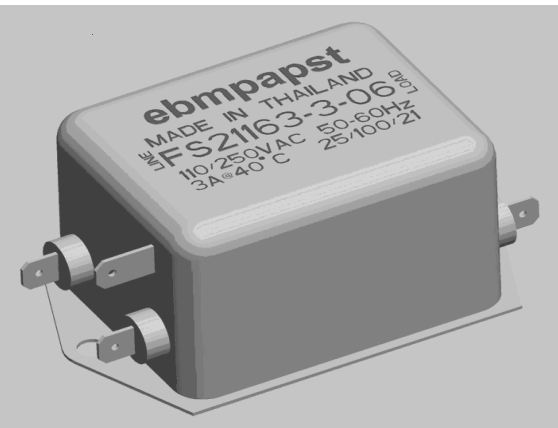
$$\text{RPM} = \text{Frequency (Hz)} \times 60$$



Note A

Please note that under rare operating conditions it is possible that leaving the tacho wire permanently connected may lead to a small reduction in the maximum speed.

920-CON0085-30 Filter



ebm-papst UK

Nominal data	Voltage	Current Draw	Max. Ambient	Mass
Type	VAC	A	°C	g
920-CON0085-30	200-277	3	100	300

Dimensions

