



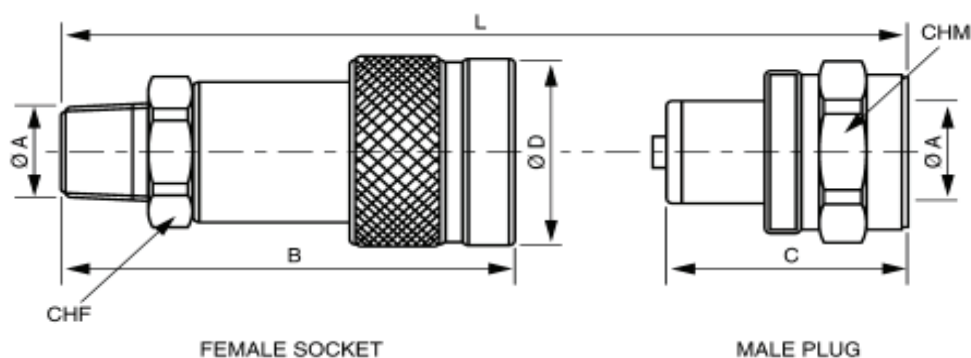
Datasheet

ENGLISH

1000 Bar Heavy Duty Screw Couplings

Materials

Body = Carbon Steel
 Finish = Zinc/Yellow Passivated
 Seals = Nitril
 Rings = Pure PTFE
 Temperature Range = -25 to +125 DegC



Dimensions

Diameter A	B	C	Diameter D	L	FS (CH)	MP (CH)
1 / 4"	62	47.5	30	98.5	21	27
3 / 8"	83.3	64.8	36	122.6	25	32

Female Socket

RS Stock Number		733-5647	733-5659
Size	NPT	1 / 4"	3 / 8"
Max. Pressure	BAR	1000	1000
Flow Rating	LPM	20	40

Male Socket

RS Stock Number		733-5643	733-5656
Size	NPT	1 / 4"	3 / 8"
Max. Pressure	BAR	1000	1000
Flow Rating	LPM	20	40

RS Components Ltd. Birchington Road, Corby, Northants, NN17 9RS, UK

<http://rswww.com/>