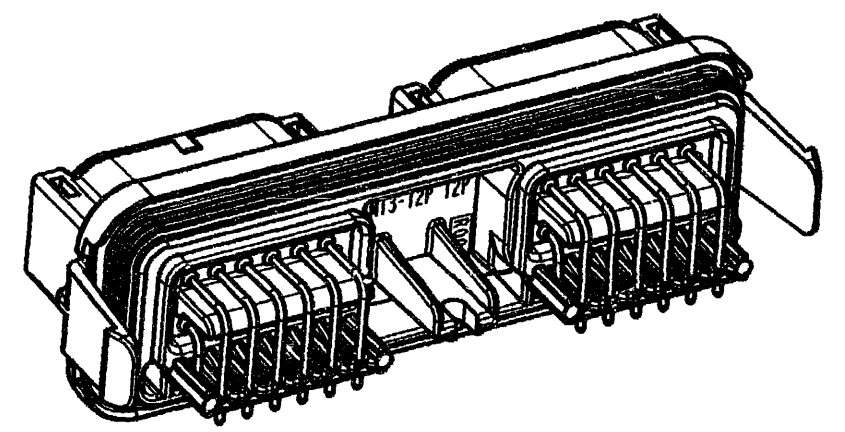
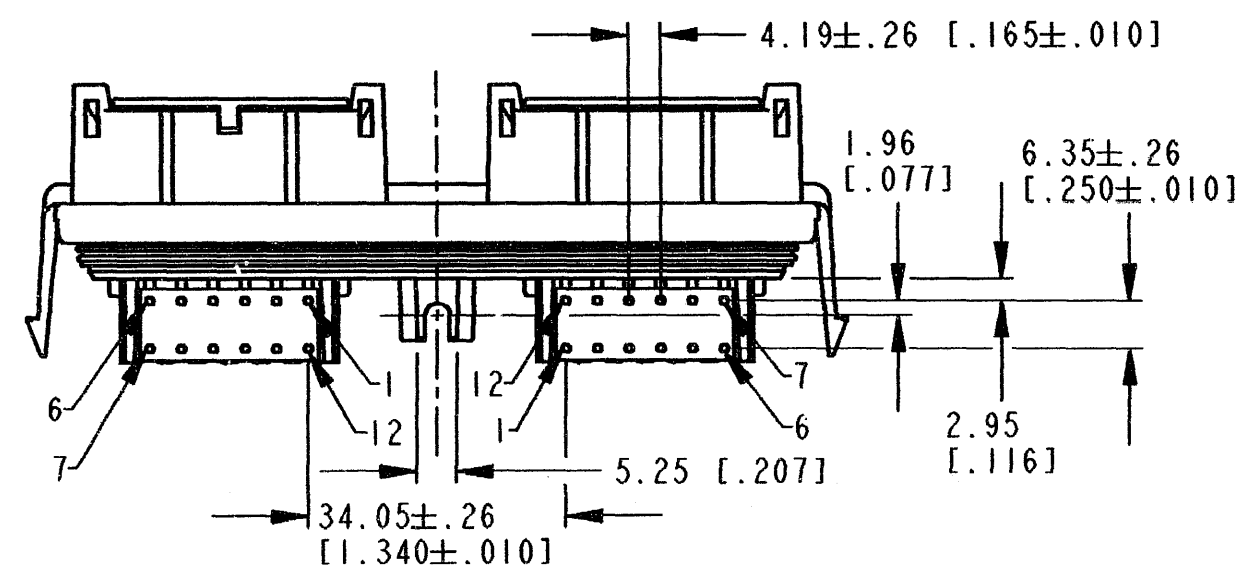
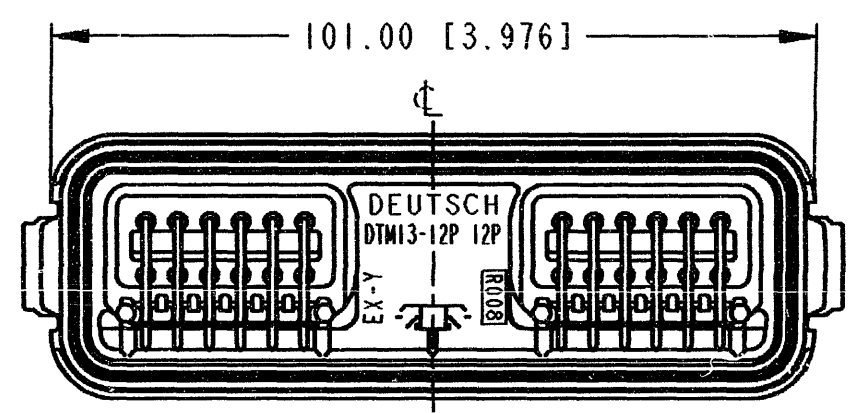
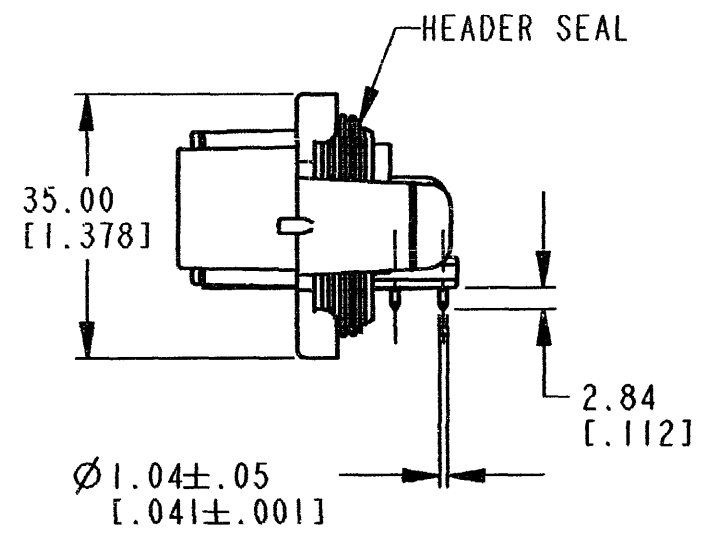
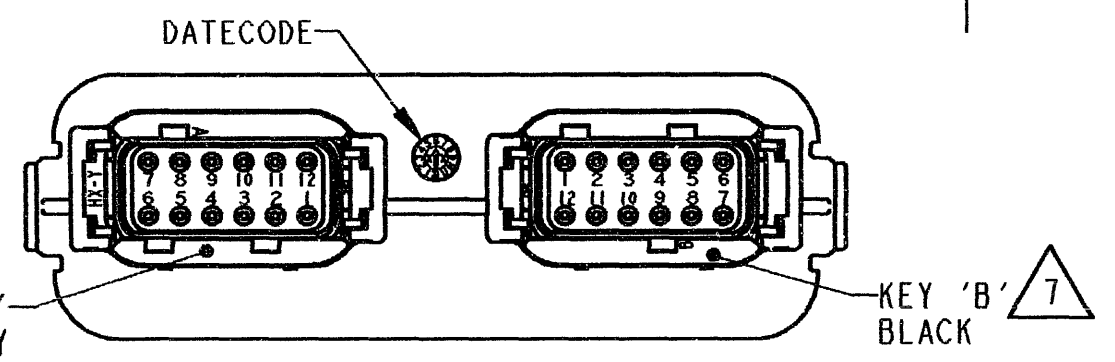
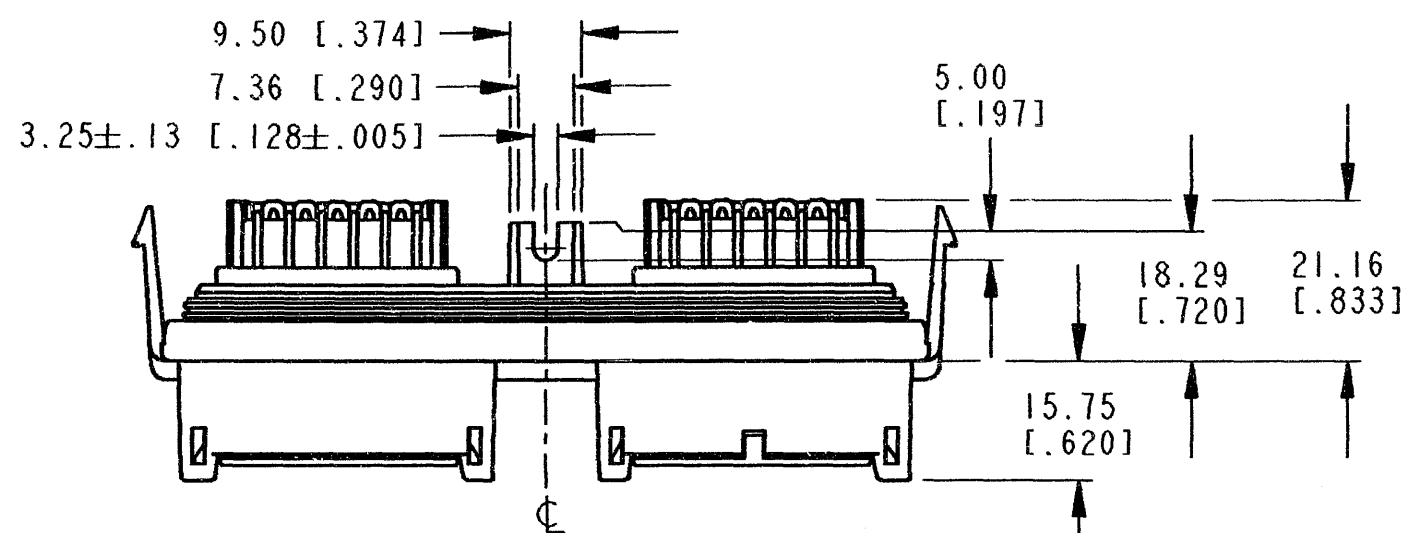


REV D DTM13-12P*12P*-R008

REVISIONS			
SYM	DESCRIPTION	DATE	APPROVED
A	REVISED PER E.O. P18530	3-30-04	R.D.R.
B	REVISED PER E.O. P18708	7-29-05	R.D.R.
C	REVISED PER E.O. P19210	4-4-06	R.D.R.
D	REVISED PER E.O. P19335	8-3-06	RDR



7 SEE SHEETS 2 AND 3 FOR OTHER KEY ARRANGEMENTS.

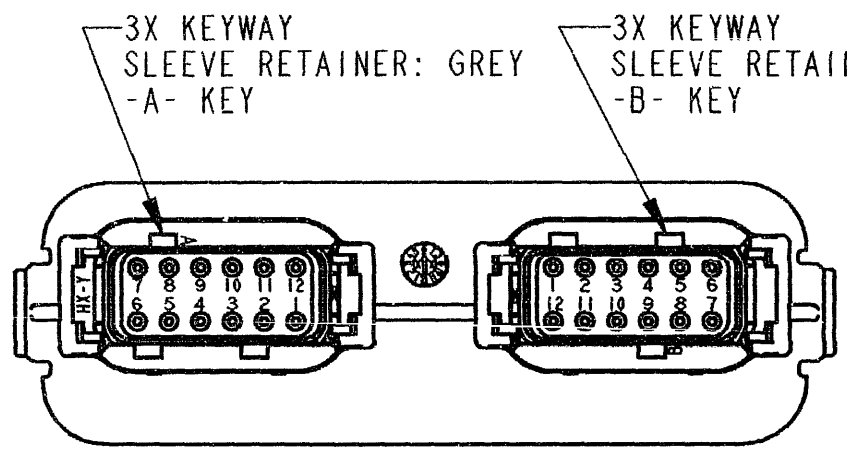
- 5. THIS RECEPTACLE MATES WITH DTM06-12S*-**** PLUG, 2 REQD. (* = A,B,C,D KEYS; **** = ALL MODIFICATIONS).
 - 4. MATERIAL - PLASTIC (BLACK); SEALS: RUBBER.
 - 3. CONTACT PLATING - MATING SIDE: NICKEL; PCB SIDE: TIN.
 - 2. DIMENSION TOLERANCE: ±.64 [.025].
 - 1. DIMENSIONS ARE IN MILLIMETERS [IN].
- NOTES: UNLESS OTHERWISE SPECIFIED

- 6. THIS RECEPTACLE IS USED WITH EEC-325X4(A OR B) ENCLOSURE. SEE ENVELOPE DRAWING EEC-325X4A/EEC-325X4B FOR ENCLOSURE INFORMATION.

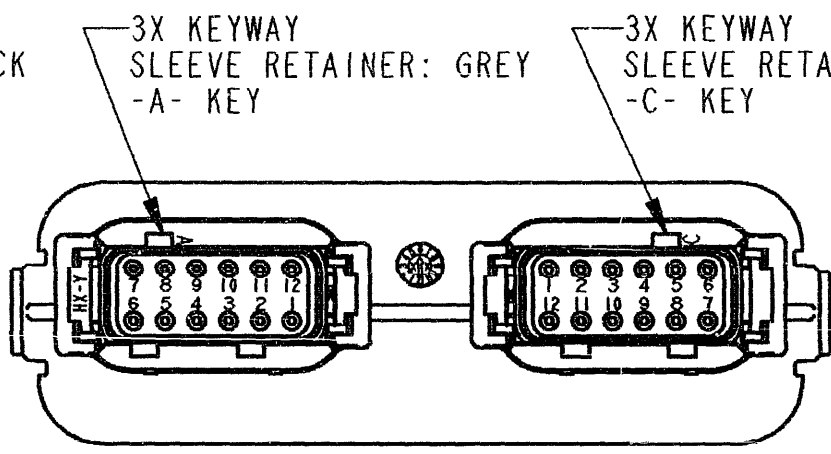
SIGNATURE & DATE		RECEPTACLE 2 x 12 #20 SIZE CONTACTS -R008 DTM SERIES	CP 053	MATL. CODE
DR	D. MEYER 08/07/03		The Deutsch Company	
CHK	<i>[Signature]</i> 8/3/06		DEUTSCH I.P.D. 3850 INDUSTRIAL AVE. HEMET, CALIF. 92545	
PE	<i>[Signature]</i> 8/1/06		B DTM13-12P*-12P*-R008	
APPD	R. Reed 8-3-06		DWG SIZE	CODE 11139
SCALE	NONE	WT	ENVELOPE	

REV D DTM13-12P*12P*R008

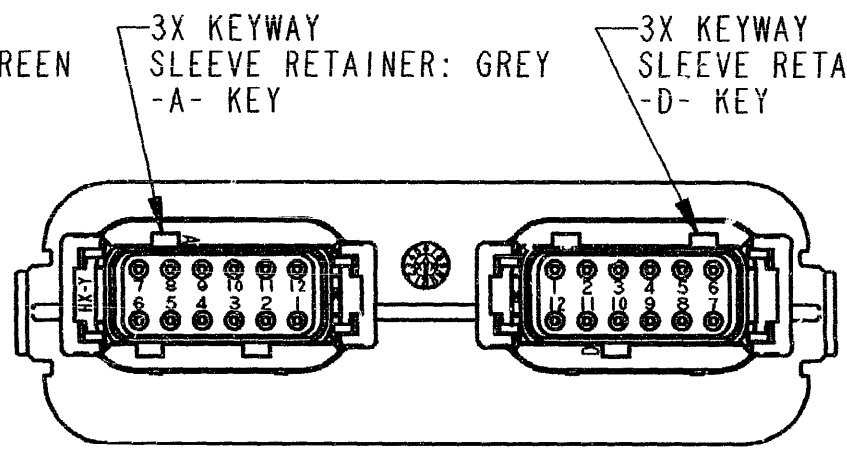
REVISIONS			
SYM	DESCRIPTION	DATE	APPROVED
①	SEE SHEET 1	8-3-06	RDR



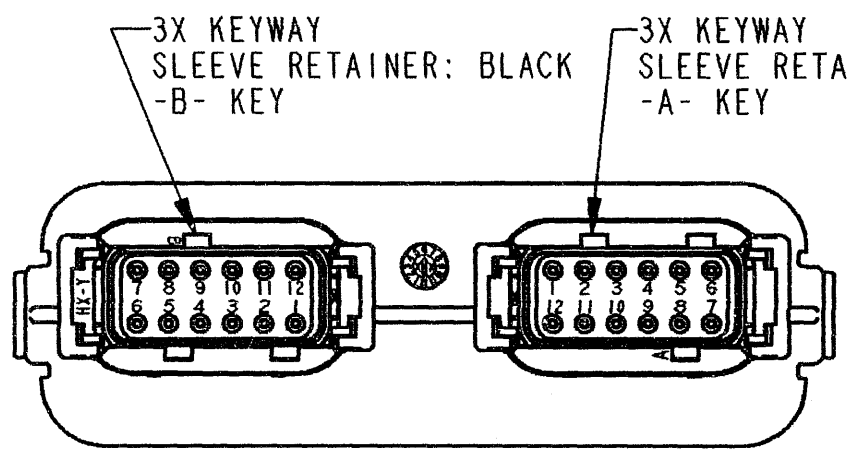
DTM13-12PA-12PB-R008
KEY -AB-



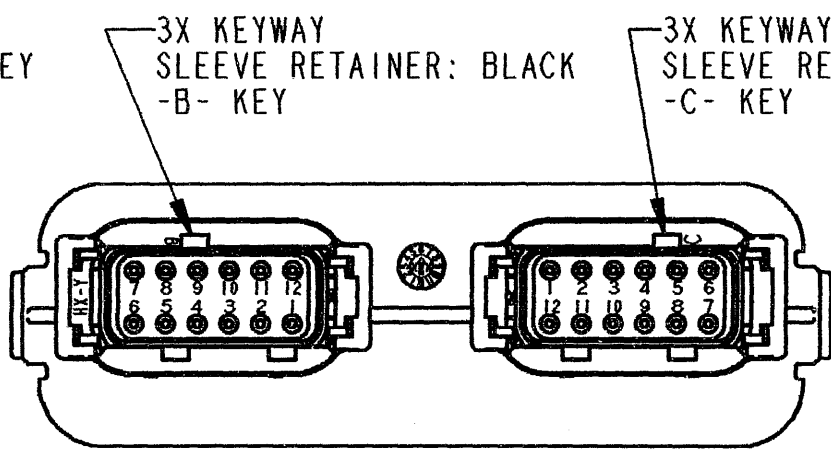
DTM13-12PA-12PC-R008
KEY -AC-



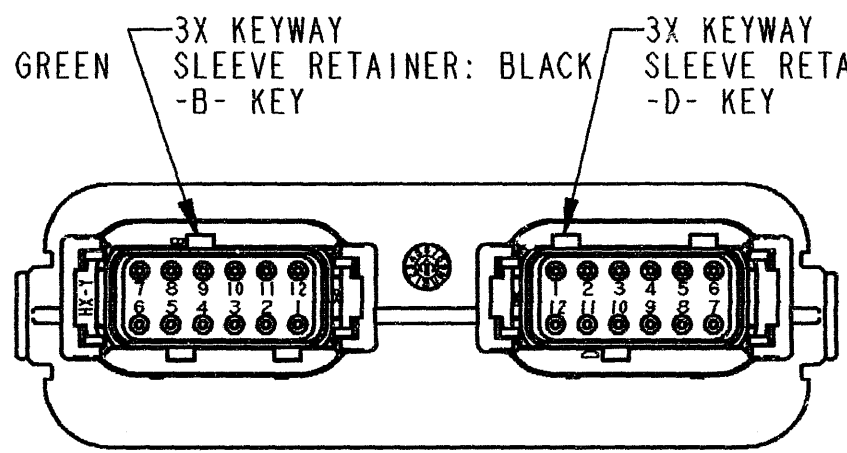
DTM13-12PA-12PD-R008
KEY -AD-



DTM13-12PB-12PA-R008
KEY -BA-



DTM13-12PB-12PC-R008
KEY -BC-



DTM13-12PB-12PD-R008
KEY -BD-

NOTES:

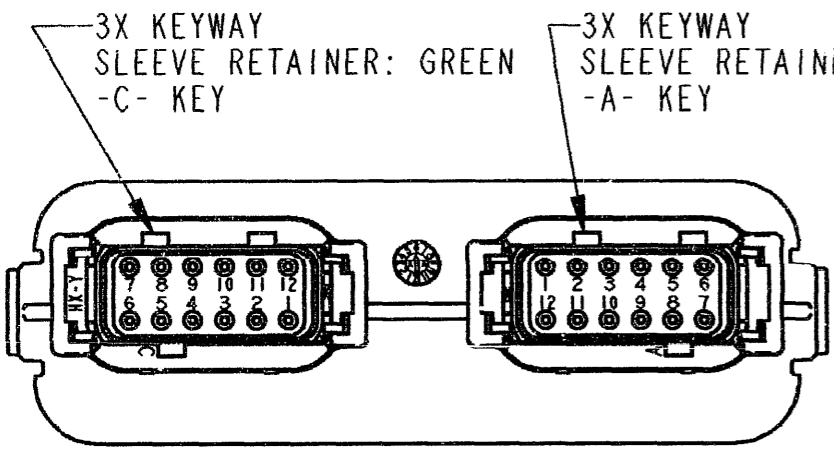
SIGNATURE & DATE	
DR	D. MEYER 08/07/03
CHK	<i>Black 8/3/06</i>
PE	<i>D Meyer 8/1/06</i>
APPD	<i>R. Reed 8-3-06</i>
SCALE	NONE WT

RECEPTACLE
2 x 12 #20 SIZE CONTACTS
-R008
DTM SERIES
ENVELOPE

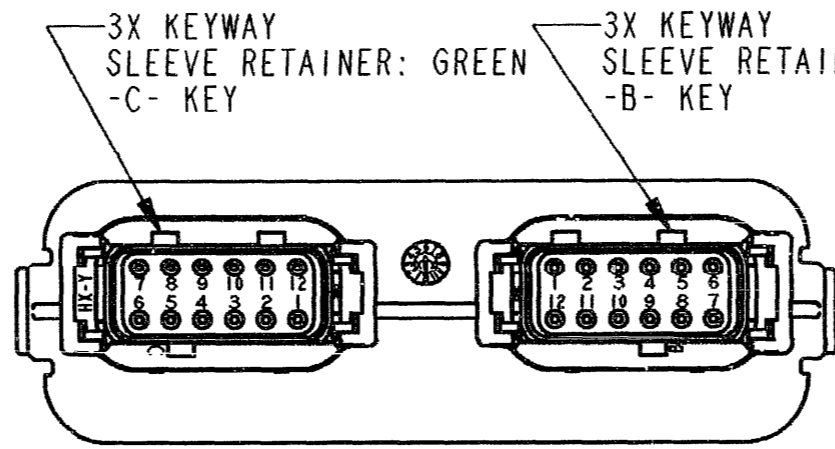
CP 053	MATL. CODE
The Deutsch Company DEUTSCH I.P.D. 3850 INDUSTRIAL AVE. HEMET, CALIF. 92545	
B DTM13-12P*12P*R008	
DWG SIZE	SHEET 2 OF 3

REV D DTM13-12P*12P*R008

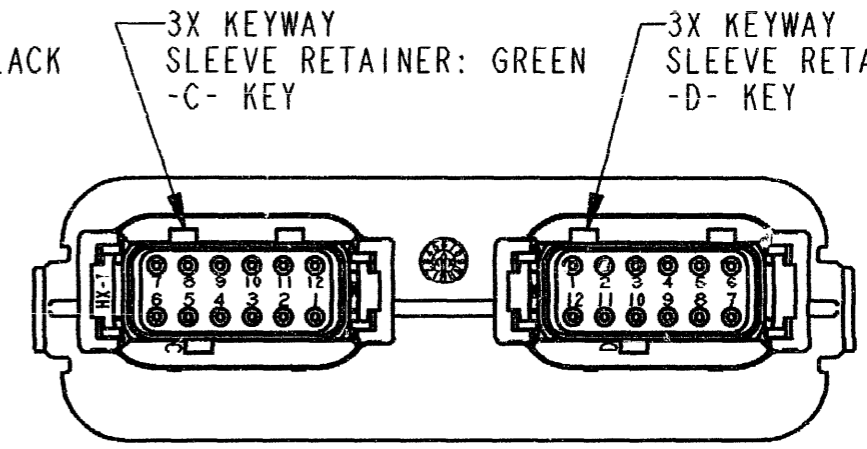
REVISIONS			
SYM	DESCRIPTION	DATE	APPROVED
D	SEE SHEET 1	8-3-06	RBR



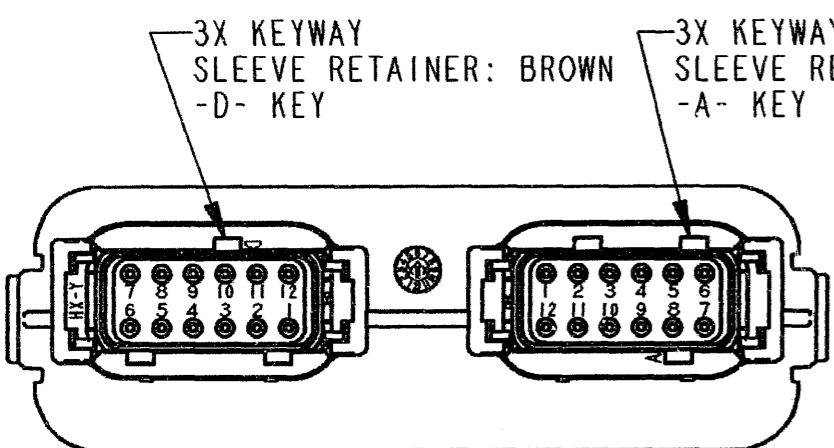
DTM13-12PC-12PA-R008
KEY -CA-



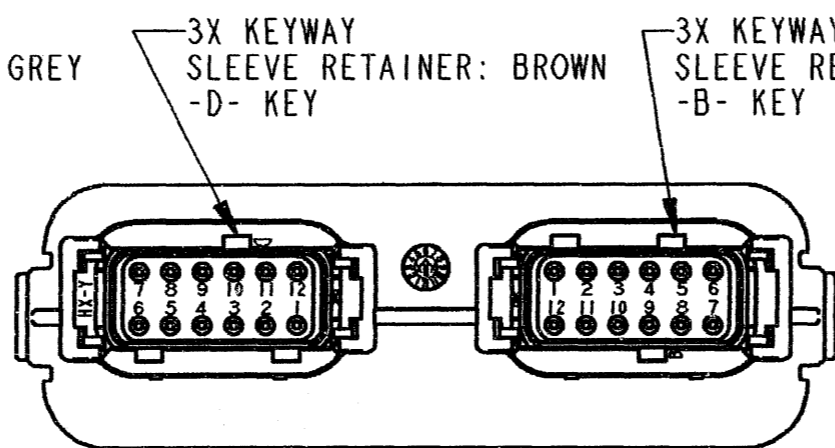
DTM13-12PC-12PB-R008
KEY -CB-



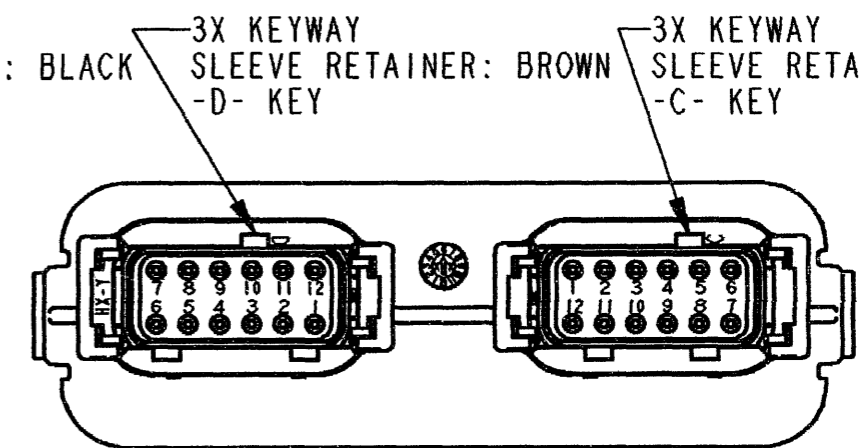
DTM13-12PC-12PD-R008
KEY -CD-



DTM13-12PD-12PA-R008
KEY -DA-



DTM13-12PD-12PB-R008
KEY -DB-



DTM13-12PD-12PC-R008
KEY -DC-

NOTES:

SIGNATURE & DATE	
DR	D. MEYER 08/07/03
CHK	<i>[Signature]</i> 8-3-06
PE	<i>[Signature]</i>
APPD	R. Reed 8-3-06
SCALE	NONE WT

RECEPTACLE
2 x 12 #20 SIZE CONTACTS
-R008
DTM SERIES
ENVELOPE

CP 053	MATL. CODE
The Deutch Company DEUTSCH I.P.D. 3850 INDUSTRIAL AVE. HEMET, CALIF. 92545	
B DTM13-12P*-12P*-R008	
DWG SIZE	SHEET 3 OF 3