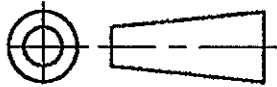


DO NOT SCALE

DIMENSIONS IN mm

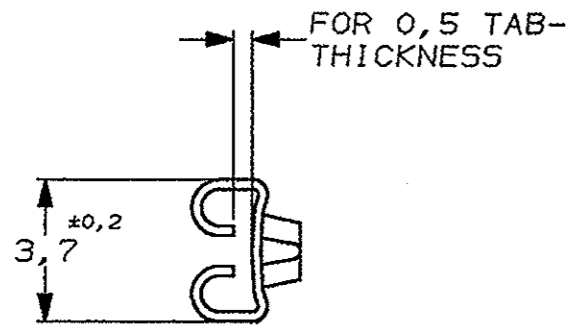
METRIC

THIRD ANGLE
PROJECTION

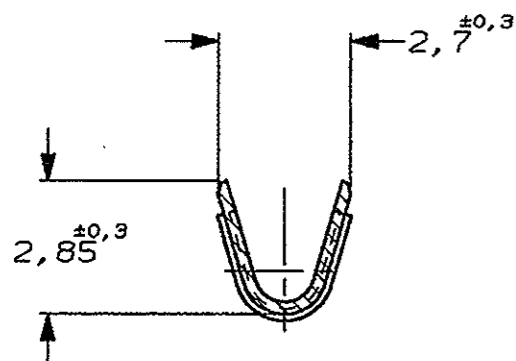
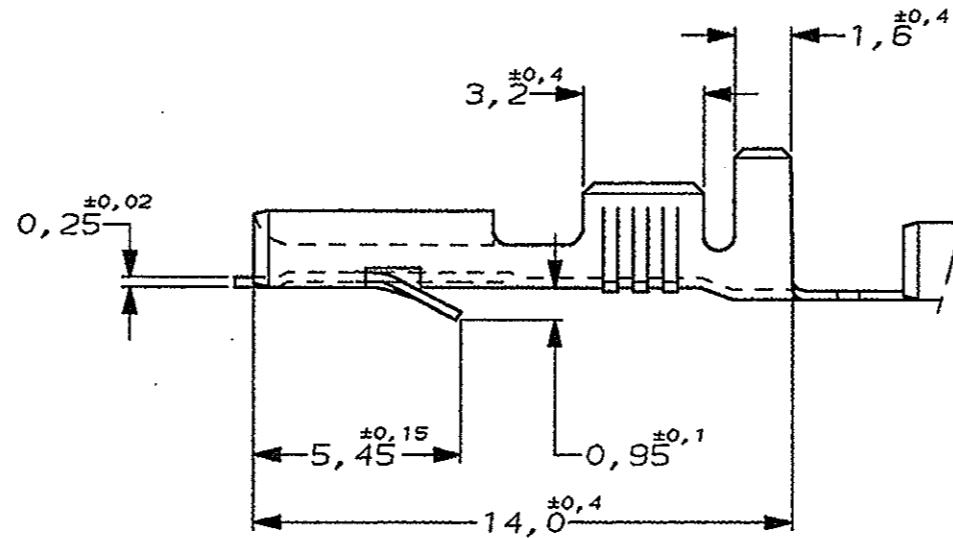
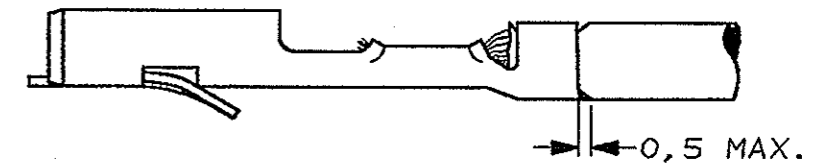
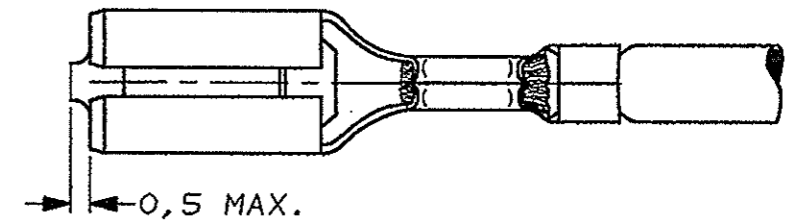
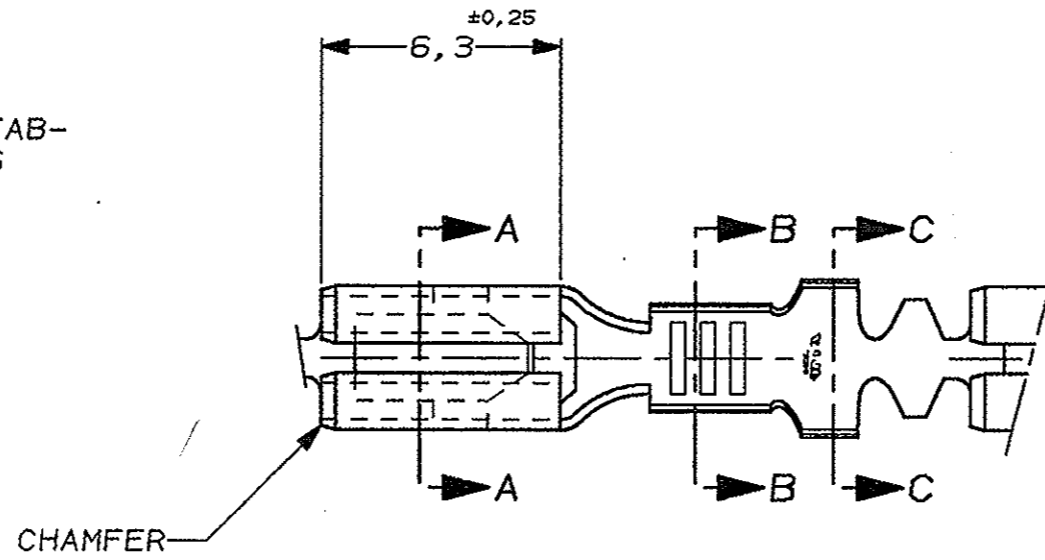


NOTES:

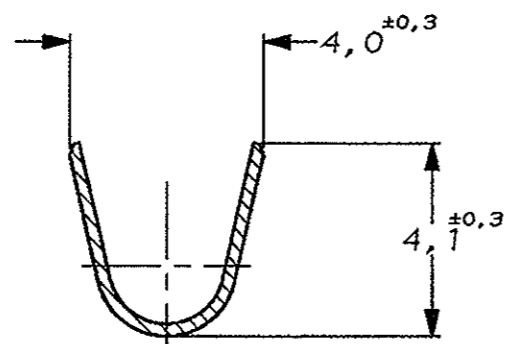
- ① FOR USE ON MINIATURE APPLICATORS (LEFT-RIGHT FEED).
- ② FOR USE ON MINIATURE APPLICATORS (LEFT-RIGHT FEED; AMP-O-MATOR APPLICATION).
- ③ REELED WITH PAPERCOVER.



SECTION A-A



SECTION B-B



SECTION C-C

WIRE RANGE :
0,5-1,0 mm²
INSULATION RANGE :
2,0-3,0 DIA.

FINISH	MATERIAL	PARTNUMBER	REV
SILVERPLATED	PHOSPHORBRONZE	160684-9	✓
SILVERPLATED	BRASS	160684-8	✓
PRE-TIN	BRASS	160684-7	✓
PRE-TIN	BRASS	160684-4	✓
UNPLATED	BRASS	160684-3	✓
PRE-TIN	PHOSPHORBRONZE	160684-2	✓
UNPLATED	PHOSPHORBRONZE	160684-1	✓

CUSTOMER DRAWING					FOR REFERENCE ONLY WILL NOT BE UPDATED	
© COPYRIGHT 19- BY AMP HOLLAND B.V.					ALL INTERNATIONAL RIGHTS RESERVED. AMP PRODUCTS MAY BE COVERED BY U.S. AND FOREIGN AND/OR PATENTS PENDING.	
THIS DRAWING IS UNPUBLISHED					RELEASED FOR PUBLICATION	
W	ECR-05-003026	HY	GT	06 OCT 05	tyco Electronics tyco Electronics AMP Italia C.so F.lli Cervi, 15 COLLEGNO	
L	EH-1513-98	D.K.	A.B.	24 SEP 98	NAME	
K	EH-0791-97	D.K.	R.V.	21 JUL 97	.110 SER. FASTIN-ON RECEPTACLE	
LTR.	REVISION RECORD	DR.	CHK.	DATE		
DR.	D. KESSLER	CHK.	R. VOS	APP.	-	DWG.No. C-160684
DATE:	21 JUL 97	DATE:	-	DATE:	-	REV.LTR. ✓
					SHEET	1 OF 1
					A3	