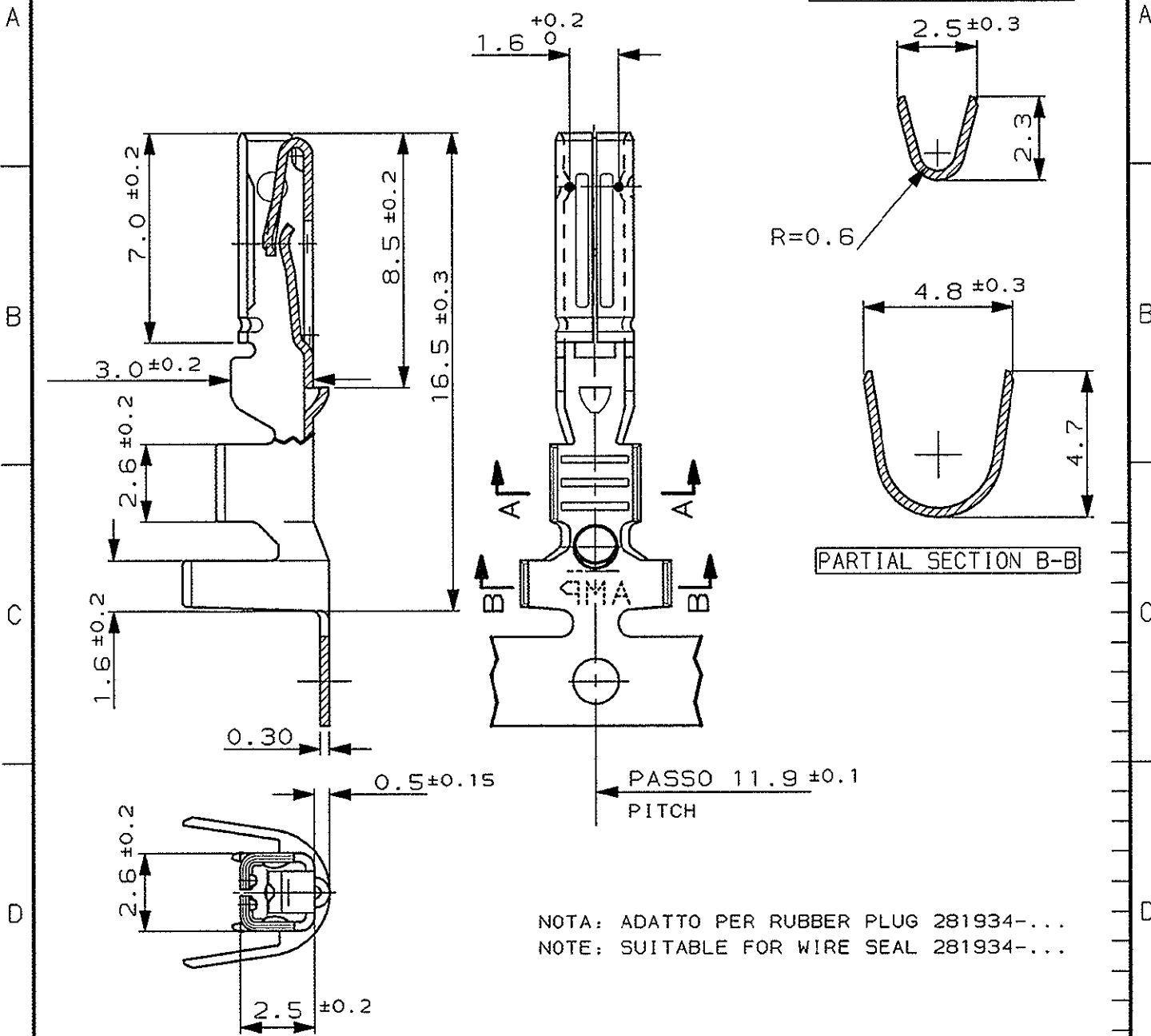


SCALA NON IMPEGNATIVA  
(DO NOT SCALE)  
DIMENSIONI IN mm  
(DIMENSIONS IN)

METRIC

PROIEZIONE EUROPEA  
(EUROPEAN PROJECTION)

PARTIAL SECTION A-A



NOTA: ADATTO PER RUBBER PLUG 281934-...  
NOTE: SUITABLE FOR WIRE SEAL 281934-...

PRE-STAGNATO/PRE-TIN	BRONZO FOSF./PH.BRONZE	282403-1
FINITURA / COLORE (FINISH / COLOUR)	MATERIALE (MATERIAL)	NUMERO (PART NUMBER)
CUSTOMER DWG. FOR REFERENCE ONLY		DISEGNO PER CLIENTE SOLO PER RIFERIMENTO
THIS DRAWING IS UNPUBLISHED		RELEASE FOR PUBLICATION 1990
© COPYRIGHT 1990 BY AMP INCORPORATED, HARRISBURG, PA. ALL INTERNATIONAL RIGHT RESERVED. AMP PRODUCTS MAY BE COVERED BY U.S. AND FOREIGN PATENT AND/OR PATENT PENDING		
TOLLERANZE; SE NON DIVERSAMENTE SPECIFICATO (TOLERANCES, UNLESS OTHERWISE SPECIFIED)	DIAM. ISOLANTE (INS. DIA. RANGE)	RANGO FILO (WIRE RANGE)
± 0.3	SEE NOTE	0.35-0.5mm <sup>2</sup>
ANGOLI (ANGLES)	SCALA (SCALE)	
± 2°	5:1	
DIS. (DR.)		DESCRIZIONE (DESCRIPTION)
6-92 C.BERTINI		6-92 MINI MIC SRS. REC. CONTACT
CONT. (CHK)		LOC. SIZE NUMERO (DWG NO)
6-92 A.BRUNI		I A4 C-282403
APP. (APP.)	REV.	FOGLIO (SHEET)
1	B	1 DI 1
REV. (REV.)	REVISIONI (REVISION RECORD)	DIS. (DR)
1	1	1

DISTRIBUZIONE  
(PRINT DIST.)