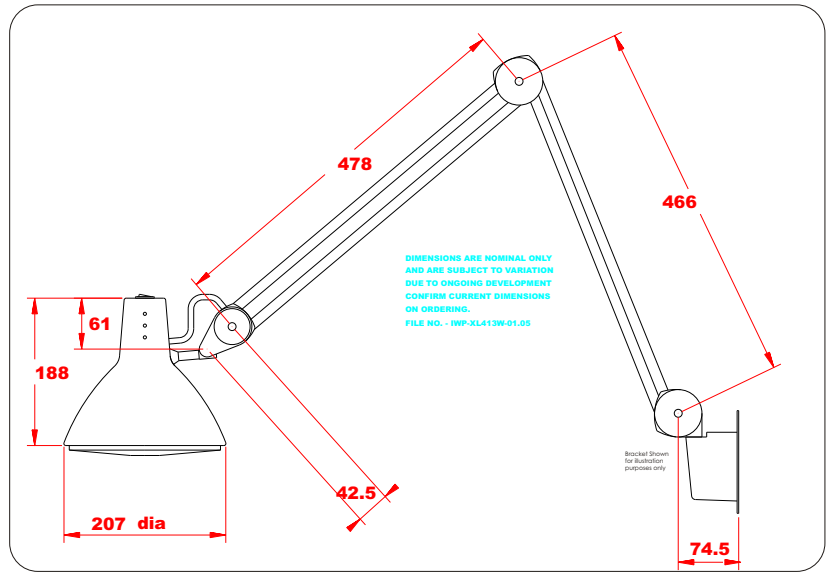
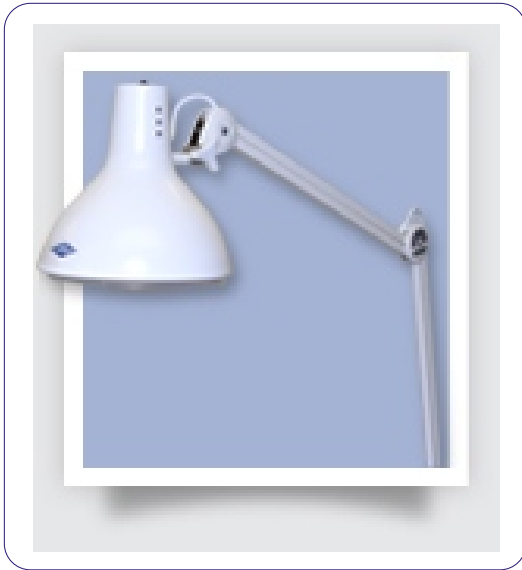




EDL Lighting Ltd



Version XL 40 Switched & Non Switched RS Order Code 702-5239 & 702-5233

The XL40 is a versatile enclosed spring balanced arm luminaire; this unit is particularly suitable for wall mounting above beds. It is available with or without an on/off switch; the non switched version can be incorporated into nurse call systems. A full range of mounting brackets are available.

Fully enclosed spring balanced 1100mm arm provides ease of whilst maintaining set position

The shade neck assembly allows the bi-directional movement of the shade in 2 planes

Head remains parallel to surface whilst repositioning

Shade diameter 205mm (8")

On/off switch mounted on shade

Trailing cable fitted (no plug) for permanent installation

Unit accepts maximum 60w incandescent lamp (not supplied)

A self ballasted fluorescent lamp or LED retrofit lamp can be used also to obtain energy efficiency

Fitted as standard with 2BC lampholder (a E27 edison screw lamp holder can be fitted if required)

Powder coated for durability, all powder coated surfaces incorporate anti-microbial properties, this can help in reducing cross contamination and subsequently infection control

Colour: White RAL9010

Manufacturing Standard: BS.EN.60598

RHOS Compliant: Not applicable

WEE Compliant: Not applicable

Range of brackets available see reverse

EDL Lighting Limited, Redbrook lane, Brereton, Rugeley, Staffs WS15 1QU

Telephone: +44(0)1889 582112

Fax: +44(0)1889 584012

Email: sales@edl-lighting.co.uk Website www.edl-lighting.co.uk



EDL Lighting Ltd

Primary Voltage: 240v

Lamp Source: Incandescent 2BC
See below for alternative lamps

Wattage: Max 60w incandescent

Lamp Base: B22d

Switch: Yes on head

IP Rating: IP20

Base Type: Spigot

No of Arms: 2

Length of Arms: 478mm + 466mm

Shade Material: Aluminium

Louvre: Available as accessory

Joint Type: Spring Balanced

Trailing Cable: Fitted

Plug fitted: No

Manufacturing Standard: BS.EN. 60598

RHOS Compliant: Yes

WEE Compliant: Yes

Powder Coating: White RAL9010 with anti-microbial properties



BHT Bracket for Rear Fixing (e.g. Trunking)

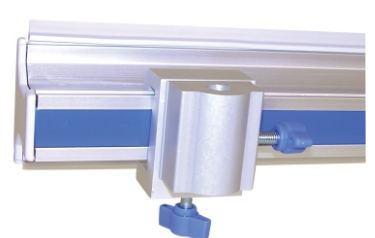
Mounting Alternatives

BHTBP Bracket

BHT Klik Bracket

A bracket

Medi Rail & Bracket



EDL Lighting Limited, Redbrook lane, Brereton, Rugeley, Staffs WS15 1QU

Telephone: +44(0)1889 582112

Fax: +44(0)1889 584012

Email: sales@edl-lighting.co.uk Website www.edl-lighting.co.uk