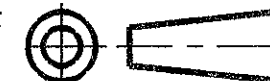


DO NOT SCALE

DIMENSIONS IN mm

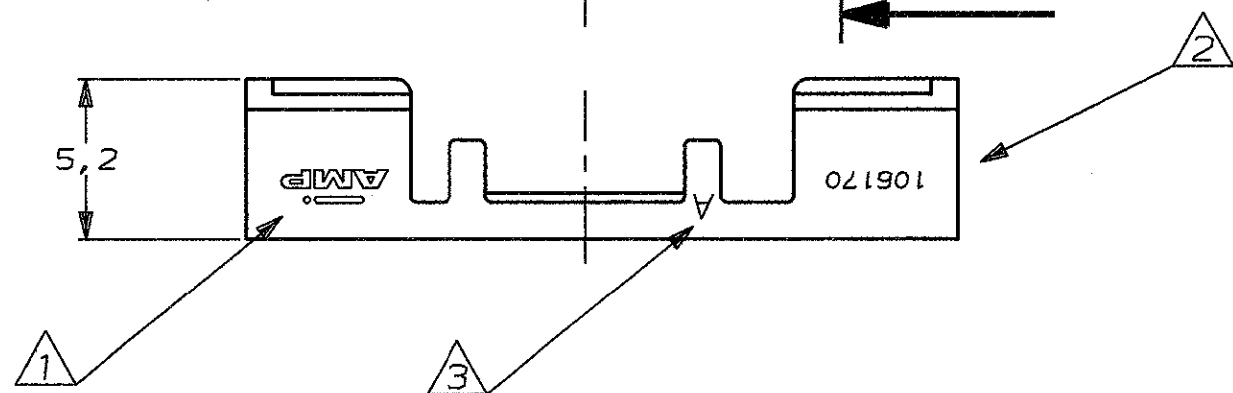
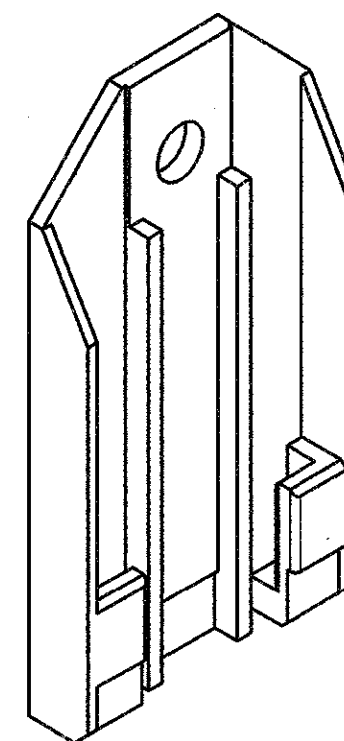
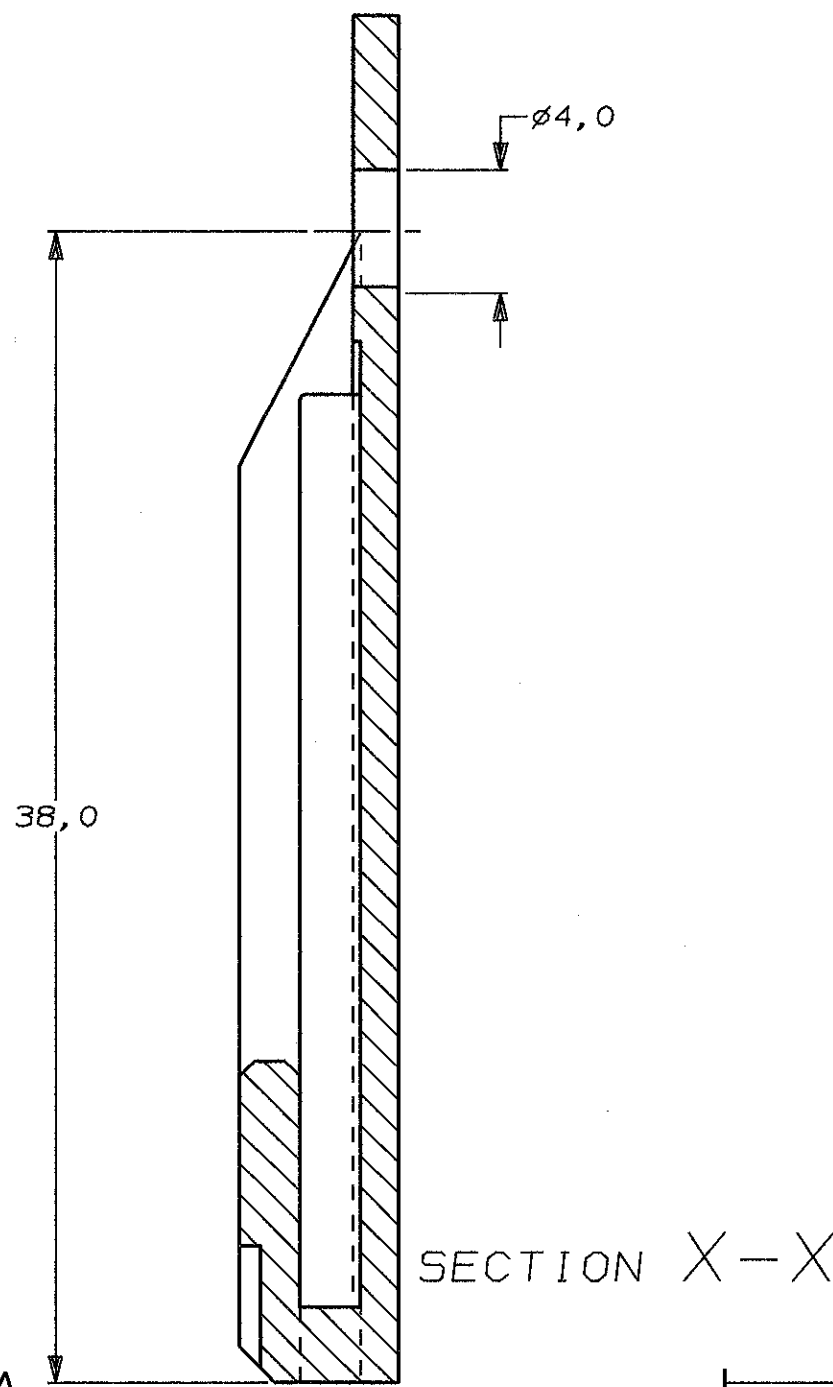
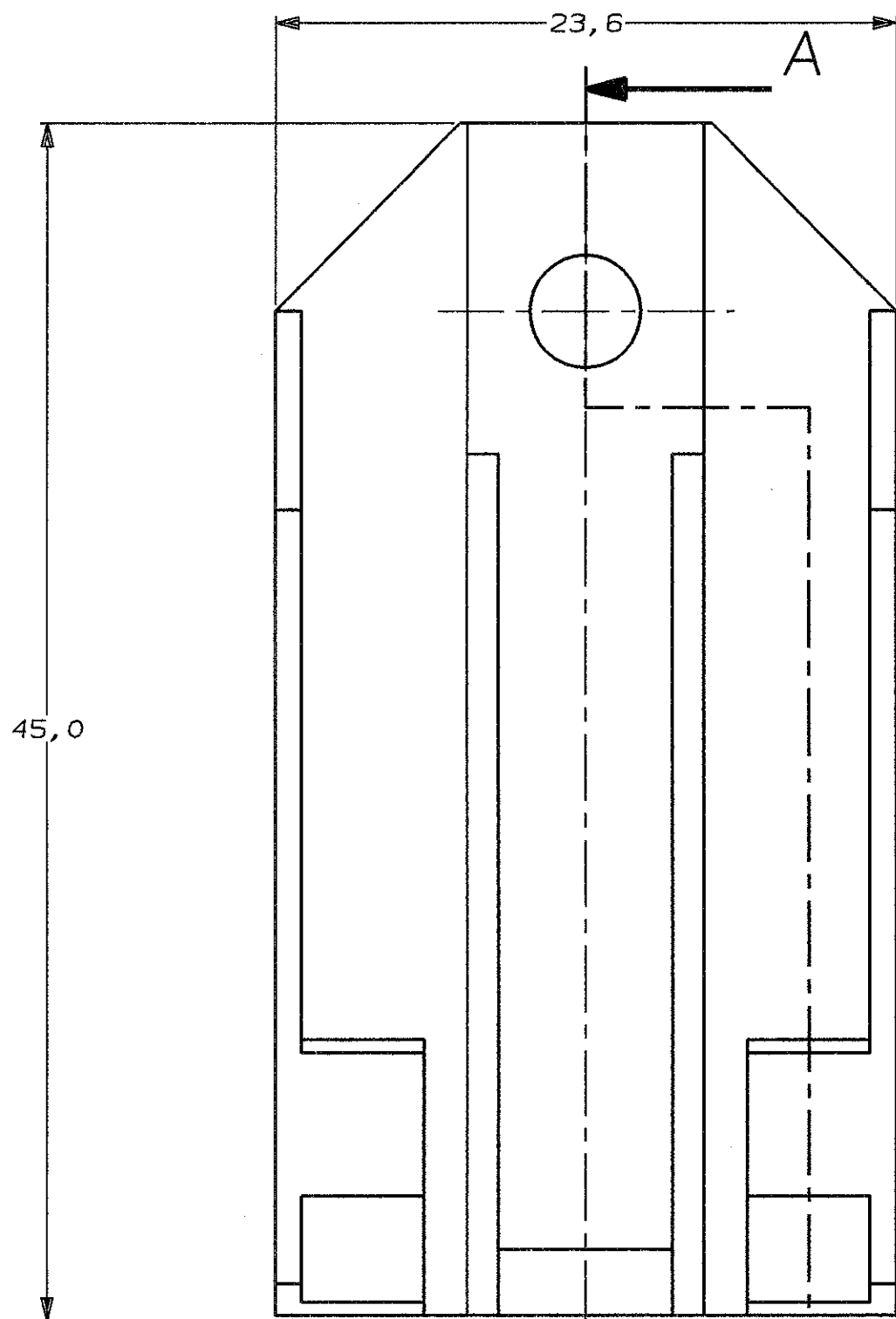
METRIC


THIRD ANGLE
PROJECTION



NOTES:

- ① AMP TRADEMARK
- ② AMP IDENTIFICATION NUMBER
- ③ POCKET IDENTIFICATION NUMBER



					BLACK	PBT	106170-1
					FINISH	MATERIAL	PARTNUMBER
-	-	-	-	-	CUSTOMER DRAWING FOR REFERENCE ONLY WILL NOT BE UPDATED		
-	-	-	-	-	© COPYRIGHT 19- BY AMP HOLLAND B.V. ALL INTERNATIONAL RIGHTS RESERVED. AMP PRODUCTS MAY BE COVERED BY U.S. AND FOREIGN AND/OR PATENTS PENDING.		
-	-	-	-	-	THIS DRAWING IS UNPUBLISHED RELEASED FOR PUBLICATION		
B	EH-0826-93	DK	RotB	28-10-93	 AMP HOLLAND B.V. 's-Hertogenbosch, The Netherlands.		
A	EH-0496-93	JvL	RotB	21-07-93			
0	EH-0369-93	R.O.	R.O.	22 JUN 93			
LTR.	REVISION RECORD	DR.	CHK.	DATE	NAME BRACKET FOR RELAIS- AND FUSE HOUSING		
DR. :	R.OP TEN BERG	CHK. :	-	APP. :	A.V.SOEST	DWG. No.	C-106170
DATE :	22 JUN 93	DATE :	-	DATE :	2-11-93	REV. LTR.	B
						SHEET	1 OF 1