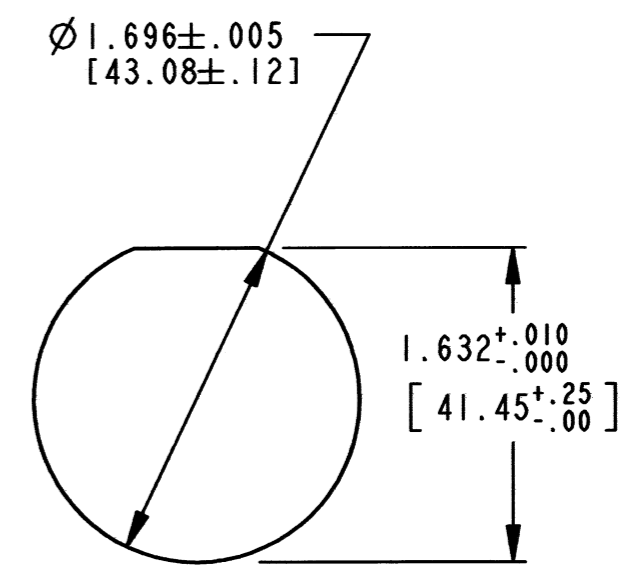
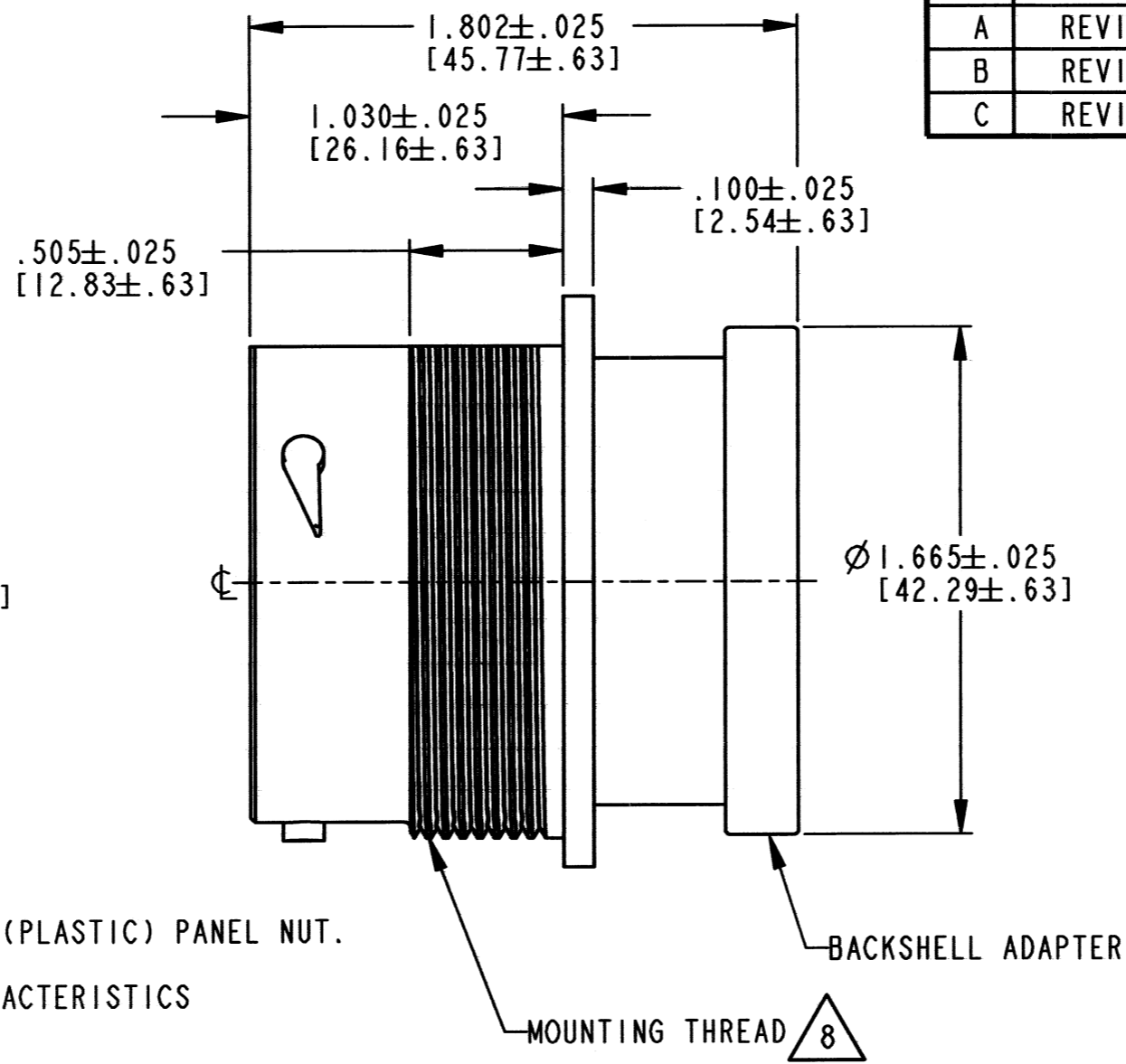
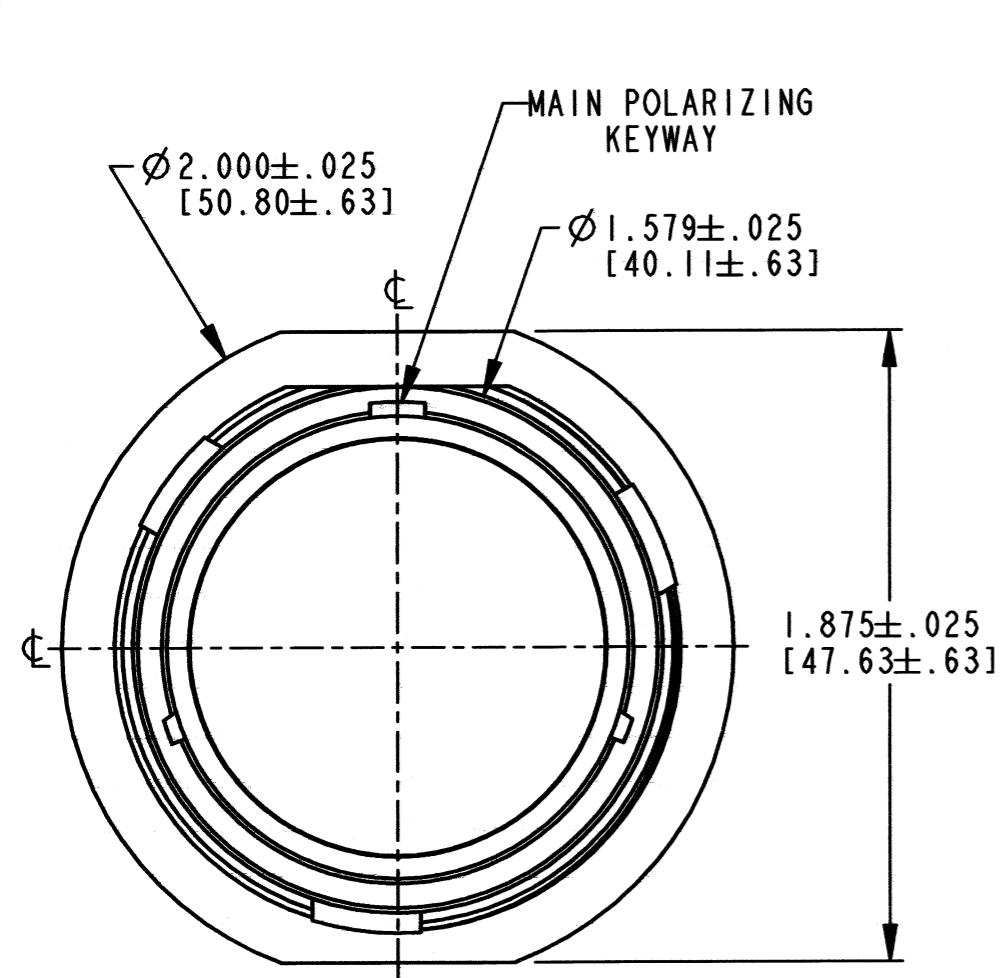


REV
C HDP24-24-***P/S*-L017

REVISIONS			
SYM	DESCRIPTION	DATE	APPROVED
NC	NEW RELEASE PER E.O. P15607	5-15-98	R.D.R.
A	REVISED PER E.O. P17423	9/5/01	R.D.R.
B	REVISED PER E.O. P17811	7/24/02	R.D.R.
C	REVISED PER E.O. P21412	7-20-12	ADR



9. THIS RECEPTACLE TO BE USED WITH 2411-001-2405 (PLASTIC) PANEL NUT.
 8. FOR PERFORMANCE, MOUNTING AND APPLICATION CHARACTERISTICS SEE ENVELOPE DRAWING 0425-021-0000.
 7. THIS RECEPTACLE MATES WITH HDP26-24-***P/S*-**** (****=ALL MODIFICATIONS)
 6. THIS CONNECTOR ACCEPTS BACKSHELL P/N: 2428-004-2405 OR 2428-008-2405
 5. FOR CONTACTS AND WIRE PERFORMANCE AND APPLICATION CHARACTERISTICS SEE ENVELOPE DWG. 0425-015-0000.
 4. ALL DIMENSIONS ARE INCHES [MILLIMETERS].
 3. RECOMMENDED PANEL THICKNESS: .062[1.57] TO .1875[4.76] MAX.
 2. BACKSHELL ADAPTER COLOR REFLECTS WIRE SEAL DIAMETER. (GREEN='N' SEAL; GREY='T' SEAL; BLUE='E' SEAL)
 1. FOR CONTACT ARRANGEMENTS, SEE ENVELOPE DRAWING 0425-014-2400.
- NOTES:

10. RECEPTACLE IS SUPPLIED WITH DUST CAP. (NOT SHOWN)

RECOMMENDED PANEL MOUNTING HOLE

SIGNATURE & DATE	
DR	J. WOODY 4/15/98
CHK	[Signature] 7/13/2012
PE	[Signature] 7/11/12
APPD	[Signature] 7/12/12
SCALE	NONE WT

PLASTIC RECEPTACLE
CONNECTOR
BAYONET COUPLING
HDP SERIES
-L017 MOD
ENVELOPE

EP	MATL. CODE
3850 INDUSTRIAL AVE. HEMET, CA 92545 DEUTSCH INDUSTRIAL	
B HDP24-24-***P/S*-L017	
DWG SIZE	CODE 11139 SHEET OF