



Product designation

Illuminated
selector switch
actuator - 3
position
LPCSL13

Product type designation

General characteristics

Colour	Green
Type of positions	1 - 0 - 2
Material	Polyamide
IEC degree of protection	IP66, IP67 and IP69K

Mechanical features

Mechanical life	cycles	1000000
Fixing		Without mounting adapter
Mounting adapter		LPXAU120
Weight	g	25

UL technical data

UL degree of protection	Type1, 2, 3R, 4, 4X, 12, 12K
-------------------------	------------------------------

Ambient conditions

Temperature

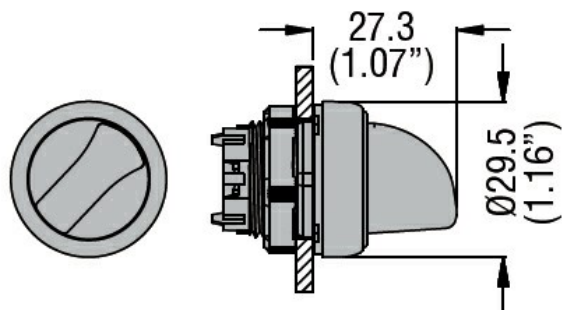
Operating temperature

min	°C	-25
max	°C	+70

Storage temperature

min	°C	-40
max	°C	+85

Dimensions



Certifications and compliance

Compliance

CSA C22.2 n° 14
IEC/EN/BS 60947-1
IEC/EN/BS 60947-5-1
UL508

Certificates

Illuminated selector switch actuator Ø22mm Platinum series chromed plastic, 3 position, 1 - 0 - 2.
Green

CCC

cULus

EAC

RINA

ETIM classification

ETIM 8.0

EC000222 -
Front element for
selector switch