

# Housing - HC-HPR-D07-HHWH-1TTM25-EM-BK - 1424639

Please be informed that the data shown in this PDF Document is generated from our Online Catalog. Please find the complete data in the user's documentation. Our General Terms of Use for Downloads are valid (<http://phoenixcontact.com/download>)



Sleeve housing D7, with screw locking, material: Zinc die-cast, cable outlets: 1, straight, height: 60 mm, cable gland: none, support sleeve: no, 1x M25, protective cover: no, Railway applications, for increased environmental and EMC requirements, Series HPR

## Your advantages

- Vibration and shock: IEC 61373/EN 50155, category 1, class 1B



## Key Commercial Data

Packing unit	1 pc
GTIN	 4 055626 375687
GTIN	4055626375687
Weight per Piece (excluding packing)	87.500 g
Custom tariff number	85389099
Country of origin	China

## Technical data

### Dimensions

Height	60 mm
Width	32.4 mm
Length	45.5 mm

### Ambient conditions

Degree of protection (IP)	IP66 (with sealing screw)
	IP68 (0.4 bar / 30 min. with sealing screw)
	IP69 ()
Ambient temperature (operation)	-40 °C ... 125 °C

### General

Note	for contact inserts HC-D7, D8, A3, A4, HS2-D7, Q5, Q7, Q12
Size	D7

# Housing - HC-HPR-D07-HHWH-1TTM25-EM-BK - 1424639

## Technical data

### General

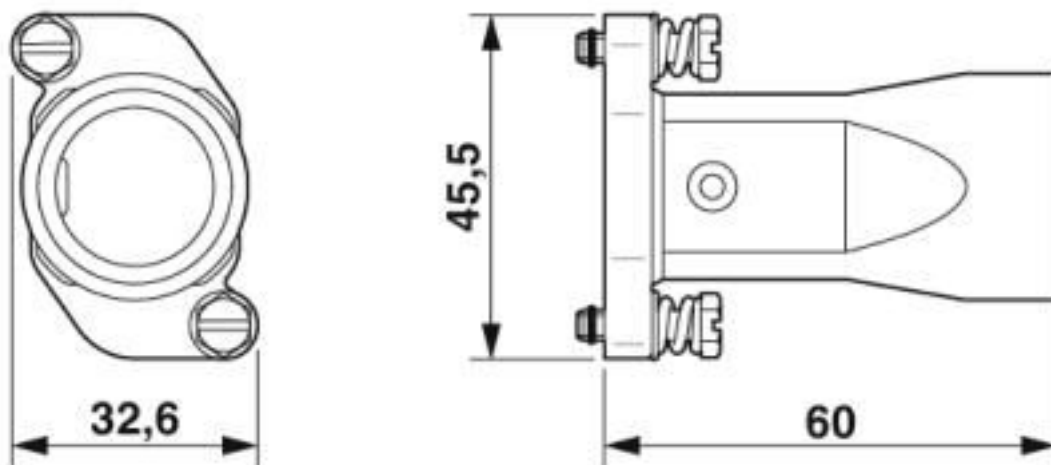
Housing type	Sleeve housing
Color	black
Locking type	with screw locking
Torque	1 Nm (Locking screw)
No. of cable outlets	1
Cable outlet	straight
Screw connection	none
Type of the screw connection	1x M25
Protective cover	no
Material	Zinc die-cast
Housing material	Zinc die-cast
Housing surface material	Powder-coated, black
Material of locking screw	Stainless steel
Assembly instructions	M4 locking screw, slotted hexagon head screw (wrench size 7), tightening torque: 1 Nm
Connection	Mount contact insert with sealing screw in the housing

### Environmental Product Compliance

China RoHS	Environmentally friendly use period: unlimited = EFUP-e
	No hazardous substances above threshold values

## Drawings

Dimensional drawing



Dimensional drawing

# Housing - HC-HPR-D07-HHWH-1TTM25-EM-BK - 1424639

## Classifications

### eCl@ss

eCl@ss 10.0.1	27440202
eCl@ss 5.1	27261200
eCl@ss 6.0	27261200
eCl@ss 7.0	27440202
eCl@ss 8.0	27440202
eCl@ss 9.0	27440202

### ETIM

ETIM 5.0	EC000437
ETIM 6.0	EC000437
ETIM 7.0	EC000437

## Approvals

### Approvals

---

#### Approvals

EAC

---

#### Ex Approvals

---

### Approval details

EAC		EAC-Zulassung
-----	--	---------------

## Accessories

### Accessories

#### Full screw connection

Cable gland - G-INS-M25-M68N-NNES-S - 1411165



Cable gland, cable gland material: Nickel-plated brass, external cable diameter 11 mm ... 17 mm, shielding: no, connecting thread: M25 x 1.5, color: silver, with O-ring

