

## Features

- **Multi-Purpose Use** – door stops, vibration damping, furniture protection, spacers
- **Quick Installation** – simple setup for immediate use
- **Sleek Black Finish** – blends seamlessly with any décor

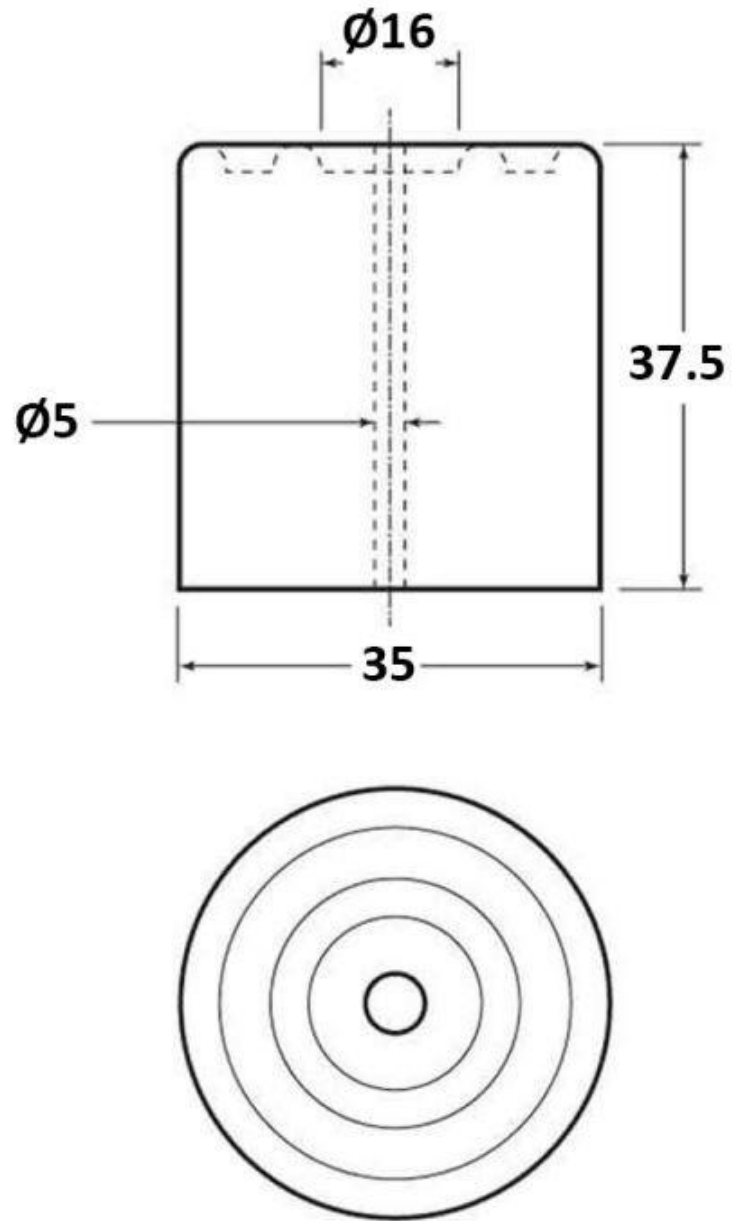
## Cylindrical Bumper 35D x 37H

SKU.: 0734074



RS Professionally Approved Products bring to you professional quality parts across all product categories. Our product range has been tested by engineers and provides a comparable quality to the leading brands without paying a premium price.

# BUMPER



## Bumper Dimensions

Diameter (mm)	35
Height (mm)	37.5

# BUMPER

## Product Description

Our Cylindrical Bumpers are manufactured from a premium blend of NR and SBR rubber, ensuring superior performance in various applications. These high-quality rubber bumpers are designed to offer exceptional abrasion resistance, tear strength, and impact resilience. Whether you need reliable rubber door stops or effective bumper stoppers, our products are engineered to withstand repetitive impact, making them a durable solution for your needs.

With a sleek design, these black rubber door stops seamlessly blend into any environment while providing reliable functionality. Their versatility makes them ideal as rubber buffers and rubber bump stops in a variety of settings.

## General Specifications

<b>Material</b>	NR/SBR
<b>Colour</b>	Black

## Mechanical Specifications

<b>Weight</b>	0.045KG
<b>Tensile Strength</b>	4Mpa
<b>Elongation</b>	200%
<b>Hardness</b>	75ShA

## Operation Environment Specifications

<b>Maximum Temperature</b>	70°C
<b>Minimum Temperature</b>	-15°C