

Product Datasheet

RS Stop Buffer – Male



RS Stop Buffer - Male

Operation and Assembly

The elastic buffers can be used in these two possibilities:

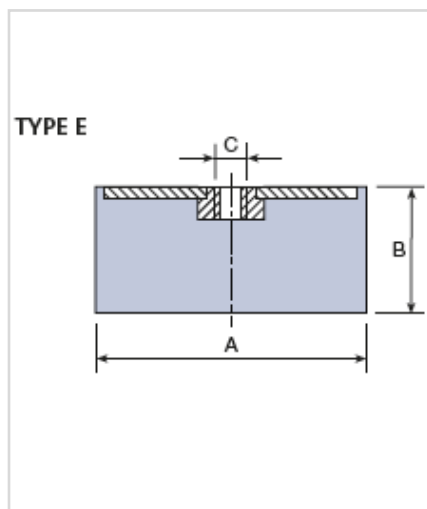
As buffers:

The impact takes place as an end of stroke, taking into account the maximum deflection the stop may give.

As Elastic Mounts:

When installed as elastic mounts, the buffers may be screwed to the base of the machine so that its flat surface rests directly on the floor or ground.

Technical data



RS Ref:	AMC Ref:	A	B	C	H	COMPRESSION	
						LOAD max. daN	DEFLECT. mm
8112334	111012	20	30	M-6	16,5	25	7
8112413	111093	25,5	20	M-6	18	55	4,5
8112384	111021	30	22	M-8	20	80	5