

**Bourdon tube pressure gauges, liquid filled,**

**Modelcode type: 213.53.0XX**

**Item number: 82178509**

**Description**

|                  |            |
|------------------|------------|
| Design according | EN 837-1   |
| Accuracy class   | class 1.6  |
| Scale range      | 0...40 MPa |

**Constructional design**

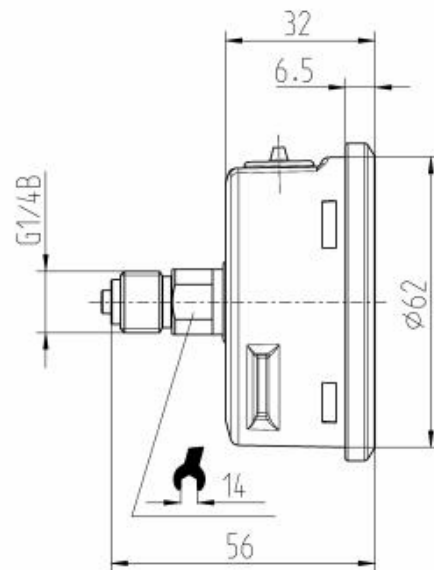
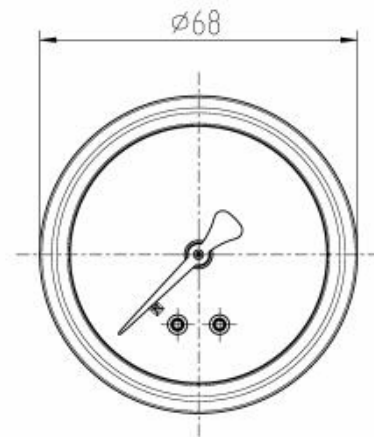
|                    |                               |
|--------------------|-------------------------------|
| Process connection | G 1/4 B                       |
| Connector location | back mount                    |
| Pressure element   | Copper alloy                  |
| Movement           | Copper alloy                  |
| Case               | Crimp ring case (version 53)  |
| Nominal size       | 063 mm                        |
| Case filling fluid | glycerine                     |
| Pointer            | plastic, black                |
| Window             | plastic, clear                |
| Dial               | plastic, white, with stop-pin |

**Operating conditions**

|   |   |
|---|---|
| Pressure limitation   | Steady: 3/4 x full scale value<br>Fluctuating: 2/3 x full scale value<br>Short time: Full scale value |
| Permissible ambient temperature   | -20 ... +60 °C  |
| Permissible medium temperature  | +60°C maximum   |
| Temperature effect when the temperature deviates from the reference temperature (+20°C) | Max. +/-0.4 %/10 K of the span  |
| Ingress protection  | IP 65   |

**Dial description:**

|                             |         |
|-----------------------------|---------|
| Pressure Gauge Standard     | China   |
| color for 1.scale (outside) | black   |
| dial background             | White   |
| Manufacturer logo           | *WIK*A* |



**Bourdon tube pressure gauges, liquid filled,**

**Modelcode type: 213.53.0XX**

**Item number: 82178509**

|                        |                           |
|------------------------|---------------------------|
| stop pin on dial       | at zero                   |
| norm-mark on dial      | *EN 837-1*                |
| safetymark on dial     | *S*                       |
| accuracy class on dial | *Cl.1.6*                  |
| CE mark on dial        | *UKCA* *CE* model * ... * |
| <b>Labelcode</b>       |                           |
| Label                  | WIKA standard             |
| language of the label  | German                    |