

22MM METAL ROUND ACTUATOR: PUSH-PULL BUTTON
 30MM LATCHING W.PULL-TO-UNLOCK MECH.
 ILLUMINABLE WITH HOLDER RED

Actuator:		
Design of the operating mechanism		push-pull button, Ø 30 mm
Shape / of the activation element		round
Manner of function / of the activation element		Yes No
<ul style="list-style-type: none"> • arresting lock • tentative 		
Outer diameter / of the activation element	mm	30
Material / of the activation element		plastic

Button:		
Design of the button		raised
Color / of the button		red

Front ring:		
Material / of the front ring		metal
Color / of the front ring		silver

General technical details:		
Design of the product		Ø 30 mm
Number of control points		1
Number of indicator lights / installable		1
Number of switching positions		2
Product extension / optional / fluorescent materials		Yes
Product function / emergency-OFF function		No
Type of unlocking device		pull-to-unlatch mechanism
Resistance against shock		<= 30g <= 50g
<ul style="list-style-type: none"> • for devices with incandescent lamp / according to IEC 60068-2-27 • for devices without incandescent lamp / according to IEC 60068-2-27 		
Operating cycles / maximum	1/h	1,000
Resistance against vibration / according to IEC 60068-2-6		20 ... 200 Hz: 5g
Mechanical operating cycles as operating time / typical		300,000
Item designation		

- according to DIN 40719 extendable after IEC 204-2 / according to IEC 750
- according to DIN EN 61346-2

	S
	S

Auxiliary Contacts:

Number of NC contacts / for auxiliary contact		0
Number of NO contacts / for auxiliary contact		0
Number of change-over switches / for auxiliary contact		0

Installation/mounting/dimensions:

Color / of the lens		red
Product component / front ring		Yes
Material / of the housing		metal
Type of mounting		front mounting
Installation width	mm	22
Shape / of the installation hole		round
Mounting diameter	mm	22
Height	mm	30
Width	mm	30
Depth	mm	53.5
Tightening torque / of the screws in the holder / maximum	N-m	1

Ambient conditions:

Ambient temperature	• during the operating phase	°C	70 ... -25
	• during storage	°C	-40 ... 80
Protection class IP			IP67
Climatic class / according to DIN EN ISO 6270-2			KTW24

Certificates/approvals:

General Product Approval



Test Certificates

[Manufacturer](#)

Shipping Approval

[ABS](#)



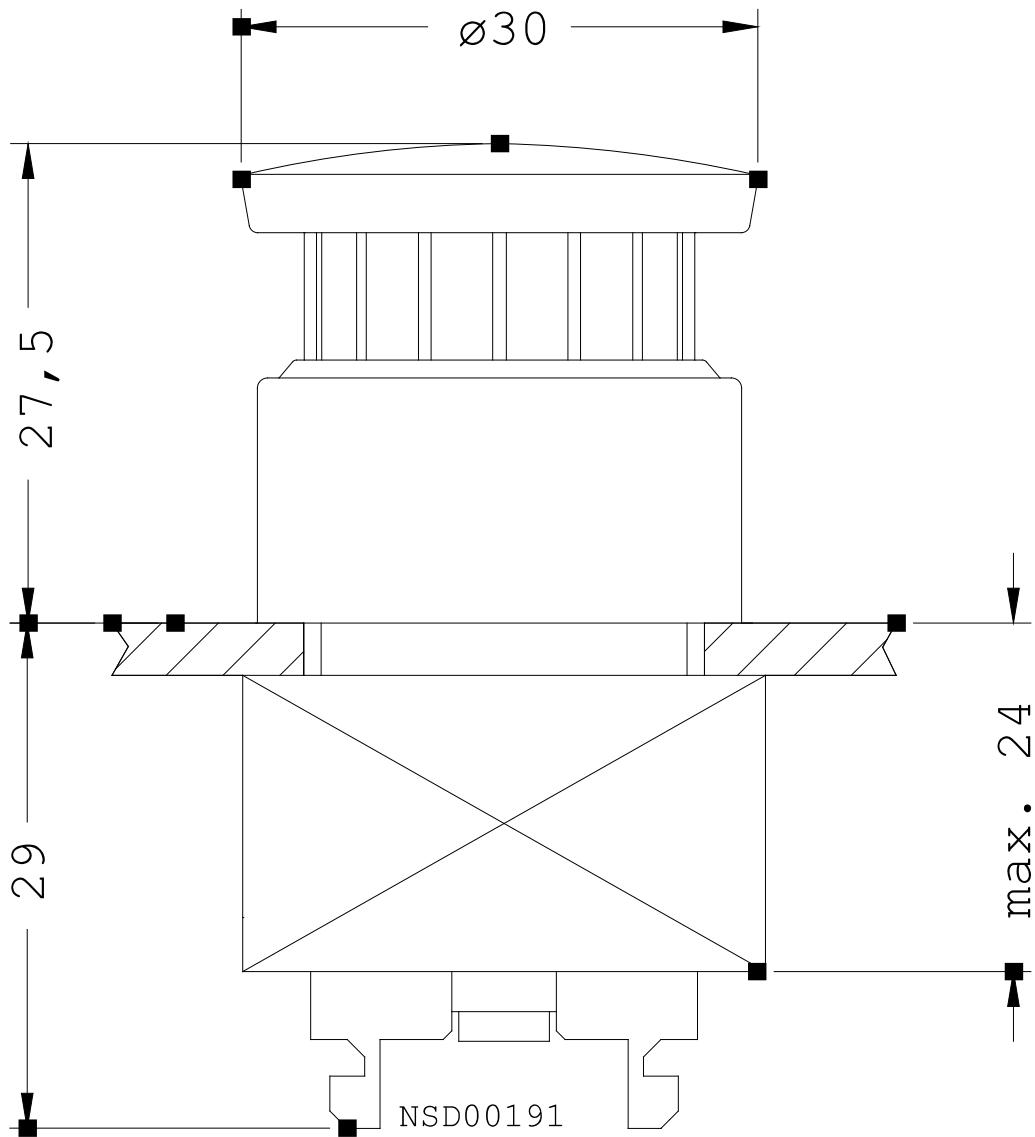
[PRS](#)



other

[Manufacturer](#)

Further information:



last change:

Sep 6, 2010