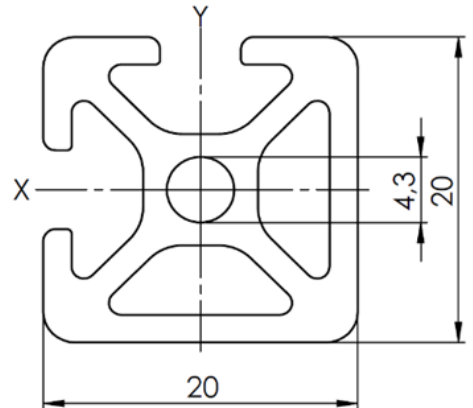
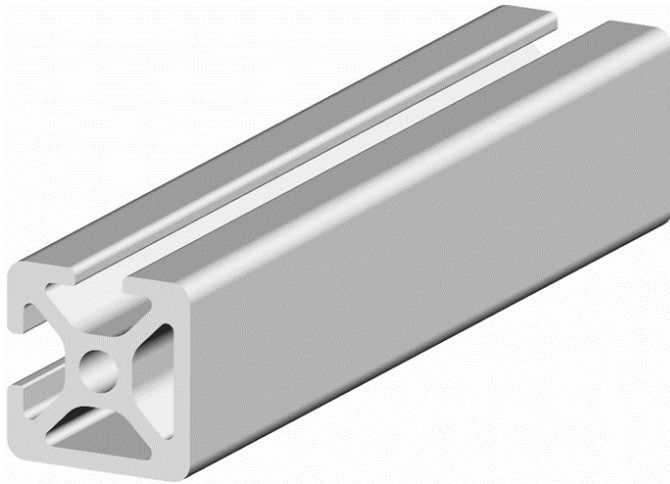


Datasheet

Profile 5 20x20 2N90

RS Article no.:

ENGLISH



Product description			
Profile	20mm x 20mm		
Slot size	5mm		
Profile length	1000mm		
No. of slots	2		
Material	Anodized Aluminium		
Technical data			
Moment of inertia	I_x	0,82	cm ⁴
	I_y	0,82	cm ⁴
Section modulus	W_x	0,79	cm ³
	W_y	0,79	cm ³
Mass	G	0,53	kg/m
EN AW - 6063 T6	DIN EN 573		
Tolerances	DIN EN 12020-2		
Anodizing process	E6 C0		
RS Article no.	1000mm		