

IEC Appliance Inlet C14 or C18 with Fuseholder 1- or 2-pole



Snap-In Version



Description

- Panel Mount:
Snap-in version, from front side Appliance Inlet, Protection class I, Fuseholder for fuse-links 5 x 20 mm
- Solder terminals or quick connect terminals

Approvals

- UL File Number: E93617
- CSA File Number: 27324

Characteristics

- The fuse drawer "Fingerrip" can be removed by hand

Weblinks

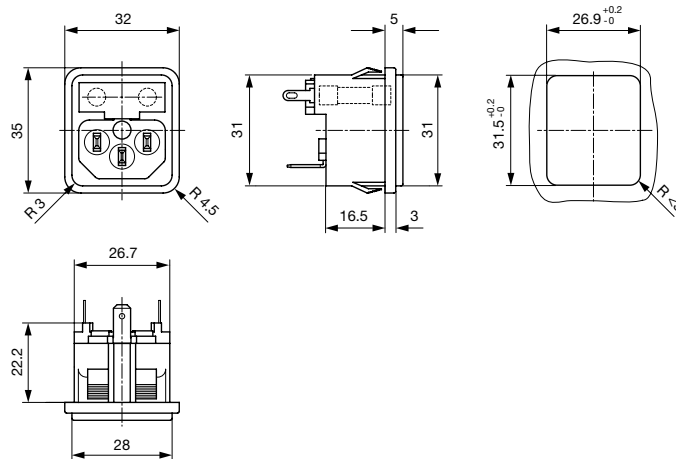
[pdf-datasheet](#), [html-datasheet](#), [General Product Information](#), [Approvals](#), [CE declaration of conformity](#), [RoHS](#), [CHINA-RoHS](#), [REACH](#), [Mating Connectors](#), [e-Shop](#), [SCHURTER-Stock-Check](#), [Distributor-Stock-Check](#), [CAD-Drawings](#), [Accessories](#), [Detailed request for product](#)

Technical Data

| | |
|---------------------------|---|
| Ratings IEC | 10A / 250VAC; 50Hz |
| Ratings UL/CSA | 10A / 250VAC; 60Hz |
| Dielectric Strength | > 3kVAC between L-N > 1.5kVAC between L/N-PE (1 min/50Hz) |
| Allowable Operation Temp. | -25 °C to 70 °C |
| Degree of Protection | from front side IP 20 acc. to IEC 60529 |
| Protection Class | Suitable for appliances with protection class I or II acc. to IEC 61140 |
| Terminal | Solder terminals or quick connect terminals |
| Panel Thickness s | Snap-in 1.0 - 2.5 mm |
| Material: Housing | PA6, black / grey / white, UL 94V-0 |

| | |
|------------------------------|--|
| Appliance Inlet | C14 / C18 acc. to IEC 60320 UL 498, CSA C22.2 no. 42 (for cold conditions) pin-temperature 70 °C, 10A, Protection Class I or II |
| Fuseholder | 1 or 2 pole, acc. to IEC 60127-6, for fuse-links 5 x 20 mm |
| Power Acceptance @ Ta > 23°C | Admissible power acceptance at higher ambient temperature see derating curves |

Dimensions



Length of the terminal please find at the order code configuration table

Config. Code





1064 - H - A B C N - D - E G O

The characters are placeholders for the correspondingly keys of selections from the key tables.

1064 - H - A B C N - D - E G O = Type

| Type | Configuration key |
|---------------------|-------------------|
| protection class II | B |
| protection class I | X |

1064 - H - A B C N - D - E G O = Terminals

| Terminal L | Configuration key |
|--|-------------------|
| short solder terminal (L = 4.8 mm)  | 2 |
| long solder terminal (L = 8.5 mm)  | 3 |
| Blade terminal (4.8 x 0.8 mm)  | 8 |
| Blade terminal (6.3 x 0.8 mm)  | 9 |
| connection to fuse holder | B |

1064 - H - A B C N - D - E G O = Terminals

| Terminal N | Configuration key |
|------------------------------------|-------------------|
| short solder terminal (L = 4.8 mm) | 2 |
| long solder terminal (L = 8.5 mm) | 3 |
| Blade terminal (4.8 x 0.8 mm) | 8 |
| Blade terminal (6.3 x 0.8 mm) | 9 |
| connection to fuse holder | B |

Symbols similar as in table A

1064 - H - A B C N - D - E G O = Terminals

| Terminal Ground | Configuration key |
|------------------------------------|-------------------|
| without terminal | 0 |
| short solder terminal (L = 4.8 mm) | 2 |
| long solder terminal (L = 8.5 mm) | 3 |

Symbols similar as in table A

| Terminal Ground | Configuration key |
|-------------------------------|-------------------|
| Blade terminal (4.8 x 0.8 mm) | 8 |
| Blade terminal (6.3 x 0.8 mm) | 9 |

Symbols similar as in table A

1064 - H - A B C N - D - E G O = Terminal Fuseholder

| Terminal Fuseholder | Configuration key |
|---------------------|-------------------|
| solder terminal | 1 |

1064 - H - A B C N - D - E G O = Color

| Color | Configuration key |
|-------|-------------------|
| Black | A |
| Grey | B |
| White | D |

1064 - H - A B C N - D - E G O = Style

| Style | Configuration key |
|-----------------------|-------------------|
| snap-in standard type | 3 |

1064 - H - A B C N - D - E G O = Mass S

| Mass "s" | Configuration key |
|----------|-------------------|
| 00 | |

The dimension "S" is displayed in ($\frac{1}{10}$ mm). This information is also valid for the order code

1064 - H - A B C N - D - E G O = Features

| Features | Configuration key |
|--|-------------------|
| dead cover | 1 |
| holder for 1 or 2 fuses (text legible, when inlet on top) | 4 |
| holder for 1 or 2 fuses (text legible, when inlet on bottom) | 5 |

All Variants

| Config. Code | Description | Order Number |
|--------------------|--|--------------|
| 1064-X-B221-A-3004 | 1064, IEC Power Entry Module C14, 70°C, version: protection class I, L: connection to fuse holder, N: short solder terminal (L = 4.8 mm), ground: short solder terminal (L = 4.8 mm), fuseholder: solder terminal, color: Black, design: snap-in standard type, dimension S: 00, features: holder for 1 or 2 fuses (text legible, when inlet on top), not used | 4304.6025 |
| 1064-X-B881-A-3004 | 1064, IEC Power Entry Module C14, 70°C, version: protection class I, L: connection to fuse holder, N: Blade terminal (4.8 x 0.8 mm), ground: Blade terminal (4.8 x 0.8 mm), fuseholder: solder terminal, color: Black, design: snap-in standard type, dimension S: 00, features: holder for 1 or 2 fuses (text legible, when inlet on top), not used | 4304.6026 |
| 1064-X-B991-A-3004 | 1064, IEC Power Entry Module C14, 70°C, version: protection class I, L: connection to fuse holder, N: Blade terminal (6.3 x 0.8 mm), ground: Blade terminal (6.3 x 0.8 mm), fuseholder: solder terminal, color: Black, design: snap-in standard type, dimension S: 00, features: holder for 1 or 2 fuses (text legible, when inlet on top), not used | 4304.6027 |
| 1064-X-BB21-A-3004 | 1064, IEC Power Entry Module C14, 70°C, version: protection class I, L: connection to fuse holder, N: connection to fuse holder, ground: short solder terminal (L = 4.8 mm), fuseholder: solder terminal, color: Black, design: snap-in standard type, dimension S: 00, features: holder for 1 or 2 fuses (text legible, when inlet on top), not used | 4304.6028 |
| 1064-X-BB21-A-3005 | 1064, IEC Power Entry Module C14, 70°C, version: protection class I, L: connection to fuse holder, N: connection to fuse holder, ground: short solder terminal (L = 4.8 mm), fuseholder: solder terminal, color: Black, design: snap-in standard type, dimension S: 00, features: holder for 1 or 2 fuses (text legible, when inlet on bottom), not used | 4304.6029 |
| 1064-X-BB81-A-3004 | 1064, IEC Power Entry Module C14, 70°C, version: protection class I, L: connection to fuse holder, N: connection to fuse holder, ground: Blade terminal (4.8 x 0.8 mm), fuseholder: solder terminal, color: Black, design: snap-in standard type, dimension S: 00, features: holder for 1 or 2 fuses (text legible, when inlet on top), not used | 4304.6030 |
| 1064-X-BB91-A-3004 | 1064, IEC Power Entry Module C14, 70°C, version: protection class I, L: connection to fuse holder, N: connection to fuse holder, ground: Blade terminal (6.3 x 0.8 mm), fuseholder: solder terminal, color: Black, design: snap-in standard type, dimension S: 00, features: holder for 1 or 2 fuses (text legible, when inlet on top), not used | 4304.6031 |
| 1064-X-BB21-D-3004 | 1064, IEC Power Entry Module C14, 70°C, version: protection class I, L: connection to fuse holder, N: connection to fuse holder, ground: short solder terminal (L = 4.8 mm), fuseholder: solder terminal, color: White, design: snap-in standard type, dimension S: 00, features: holder for 1 or 2 fuses (text legible, when inlet on top), not used | 4304.6129 |

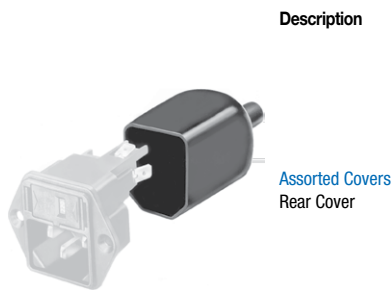
The listed variants should be available from stock. Other versions on request www.schurter.com/contact

Most Popular.

Availability for all products can be searched real-time: <http://www.schurter.com/en/Stock-Check/Stock-Check-SCHURTER>

Packaging unit 50 Pcs

Accessories



Description

Assorted Covers
Rear Cover

Mating Outlets/Connectors

Category / Description



[Appliance Outlet Overview complete](#)

| | |
|---|------|
| IEC Appliance Outlet F, Screw-on Mounting, Front Side, Solder Terminal | 4787 |
| IEC Appliance Outlet F, Snap-in Mounting, Front Side, Solder or Quick-connect Terminal | 4788 |
| IEC Appliance Outlet F or H, Screw-on Mounting, Front Side, Solder, PCB or Quick-connect Terminal | 5091 |

[Appliance Outlet further types to 1064](#)

[Connector Overview complete](#)

| | |
|---|---------|
| IEC Connector C13, Rewireable, Straight | 4782 |
| IEC Connector C13, Rewireable, Straight | 4022 |
| IEC Connector C13, Rewireable, Angled | 4785 |
| IEC Connector C13, Rewireable, Angled | 4300-06 |
| IEC Connector C13, Rewireable, Angled | 4012 |
| Connector further types to 1064 | ... |